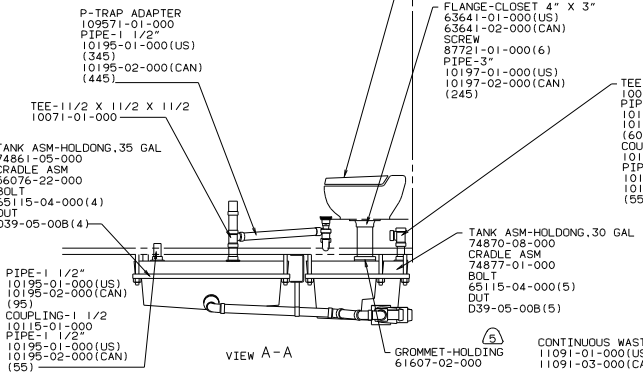
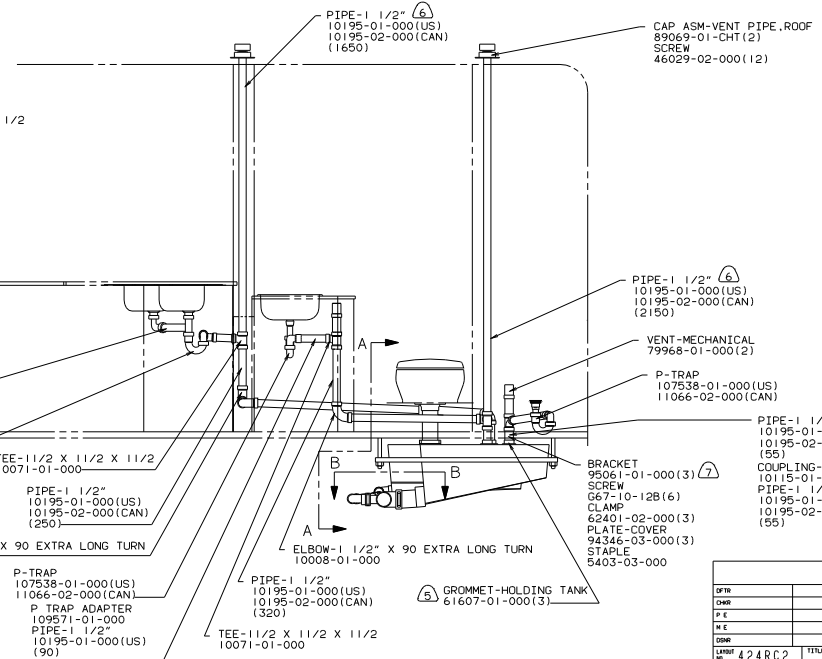
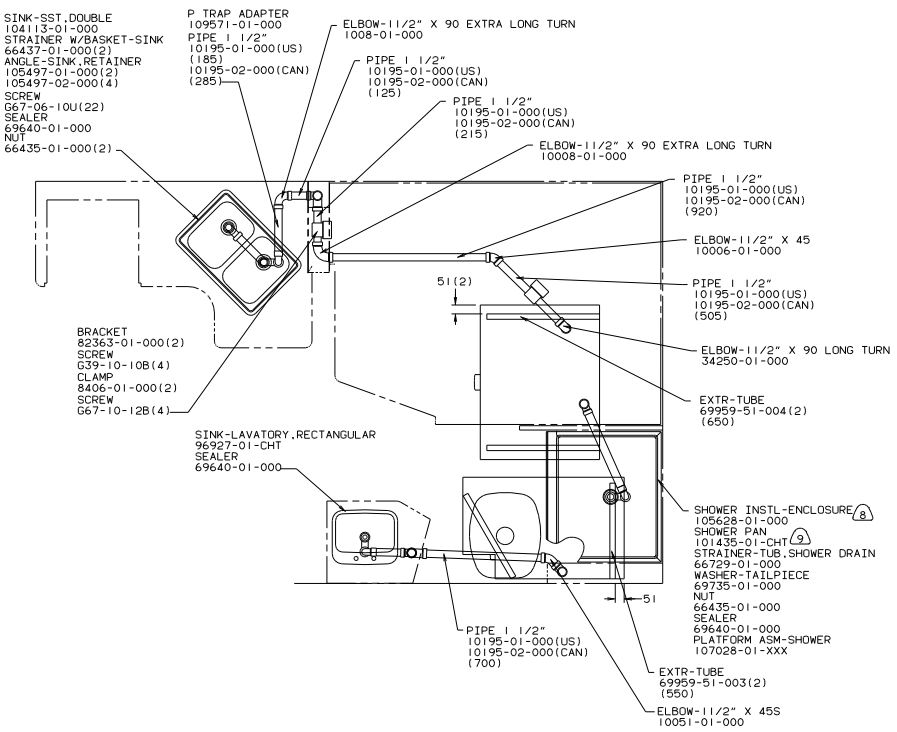


VIEW B-B



VIEW A-A



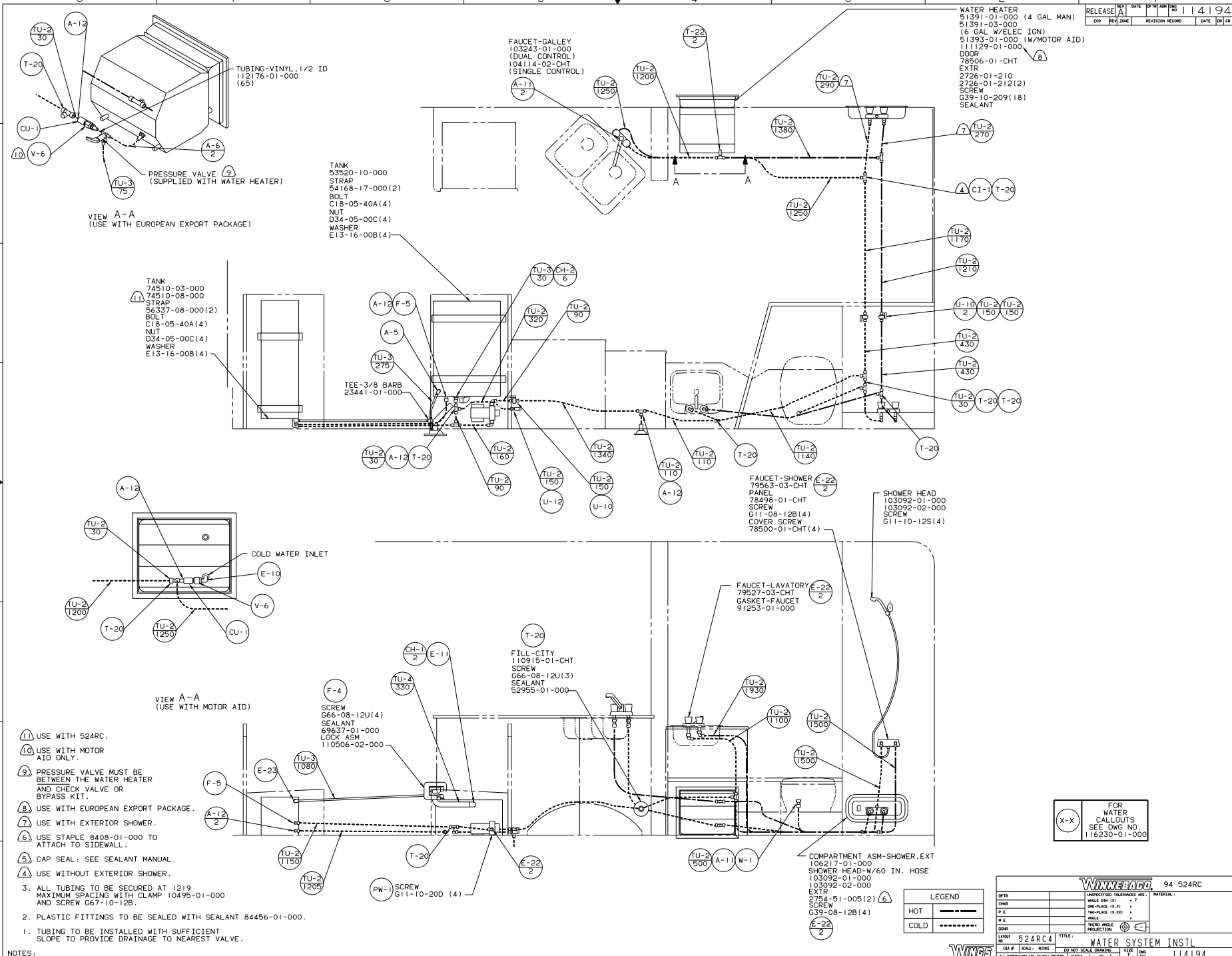
- (2) USE WITHOUT SURROUND.
  - (3) USE WITH SURROUND.
  - (7) SECURE VENT TUBES TO FLOOR.
  - (6) VENT PIPE MUST PROJECT 51" MINIMUM TO 64" ABOVE ROOF FOR PROPER FIT AND FUNCTION.
  - (5) SEE DRAWING 61607-01-000 FOR INSTALLATION OF GROMMET.
4. ALL EXTERIOR OPENINGS AROUND PIPE TO BE SEALED.
  3. ALL PIPE AND FITTINGS TO BE ASSEMBLED WITH SOLVENT 4020-01-000.
  2. SLOPE OF TRAP ARM MUST BE 6 PER 305.
  1. SLOPE OF HORIZONTAL PIPING TO BE 6 PER 305.

**WINNERAGO** 92 W/F424RC

DATE	UNSPECIFIED TOLERANCES ARE:	MATERIAL
DRWG	FRAC OVER 1/16"	
PIPE	ONE-PLACE (1/32")	
PIPE	TWO-PLACE (1/32")	
PIPE	ANGLE	
PIPE	TRUSS ANGLE	
PIPE	PROJECTION	

LANOT 424RC2 TITLE: DRAINAGE SYSTEM INSTL  
 DIA # SCALE: NONE DO NOT SCALE DRAWING  
 ALL DIMENSIONS ARE IN MILLIMETERS SHEET 1 OF 1

REF: 100641 106942



- ① USE WITH 524RC.
  - ② USE WITH MOTOR AID ONLY.
  - ③ PRESSURE VALVE MUST BE BETWEEN THE WATER HEATER AND CHECK VALVE OR BYPASS KIT.
  - ④ USE WITH EUROPEAN EXPORT PACKAGE.
  - ⑦ USE WITH EXTERIOR SHOWER.
  - ⑥ USE STAPLE 8408-01-000 TO ATTACH TO SIDEWALL.
  - ⑤ CAP SEAL: SEE SEALANT MANUAL.
  - ④ USE WITHOUT EXTERIOR SHOWER.
3. ALL TUBING TO BE SECURED AT I219 MAXIMUM SPACING WITH CLAMP 10495-01-000 AND SCREW G67-10-12B.
  2. PLASTIC FITTINGS TO BE SEALED WITH SEALANT 84456-01-000.

NOTES:  
1. TUBING TO BE INSTALLED WITH SUFFICIENT SLOPE TO PROVIDE DRAINAGE TO NEAREST VALVE.

FOR WATER CALLOUTS SEE DWG NO. 116230-01-000

LEGEND	
HOT	————
COLD	-----

WINNEMAGO		94 524RC
DATE	UNSPECIFIED TOLERANCES ARE:	MATERIAL
CHG	FRAC (1/16) ± .01	
REV	DEC-PLATE (1/16) ± .01	
DATE	ANGLE	
DATE	WELD	
DATE	THRU HOLE PROJECTION	
LANE NO. 524RC4	TITLE WATER SYSTEM INSTL	
DIA # SCALE: NONE		DO NOT SCALE DRAWING
ALL DIMENSIONS ARE IN MILLIMETERS		SHEET 1 OF 1
		114194