

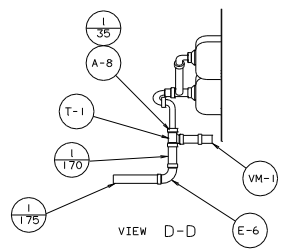
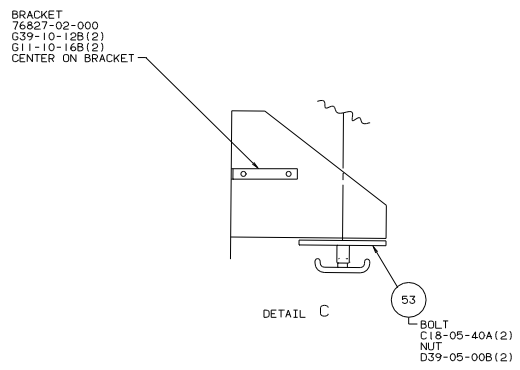
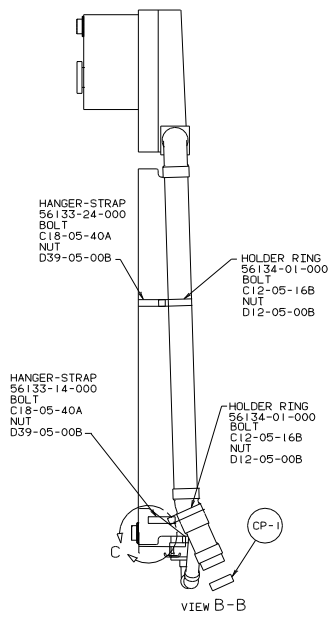
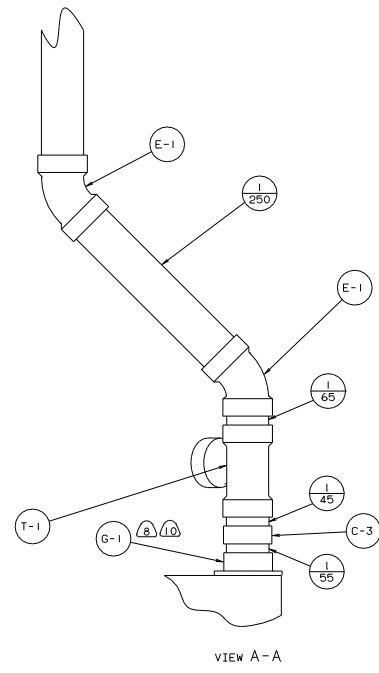
- (11) CLEAN AND APPLY ADHESIVE PROMOTER 87211-01-000 TO BOTH SURFACES AND BOND WITH TAPE.
- (10) SECURE VENT TUBES TO FLOOR.
- (9) VENT PIPE MUST PROJECT 51 MM MIN AND 63.5 MM MAX ABOVE ROOF FOR PROPER FIT AND FUNCTION.
- (8) SEE DWG 61607-01-000 FOR INSTL OF GROMMET.
- (7) SEAL ALL AROUND SHOWER WITH SILICONE 78474-01-CHT.
- 6. FOR CAN UNITS EACH HOLDING TANK SHALL HAVE A CSA APPROVAL STAMPED NEAR THE IAMPO APPROVAL.
- 5. EXPOSED PIPE ABOVE ROOF TO BE PAINTED 37163-01-000.
- 4. ALL EXTERIOR OPENINGS AROUND PIPE TO BE SEALED.
- 3. ALL PIPE AND FITTINGS TO BE ASSEMBLED WITH SOLVENT 4020-01-000.
- 2. SLOPE OF TRAP ARM MUST BE 6 PER 305.
- 1. SLOPE OF HORIZONTAL PIPING TO BE 6 PER 305 MIN.

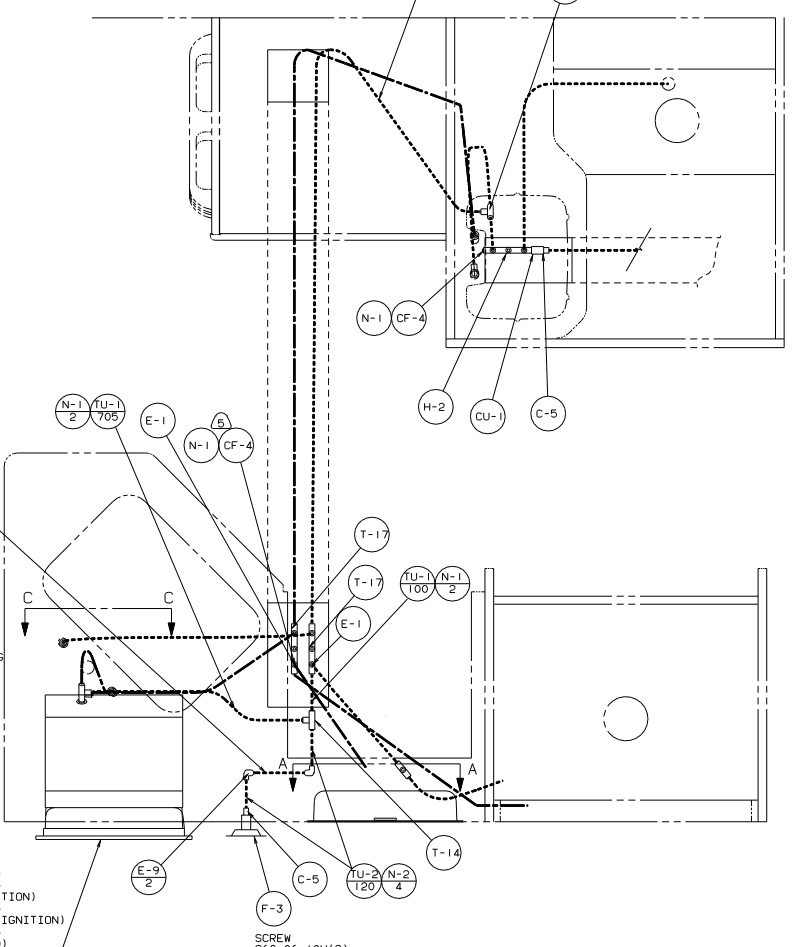
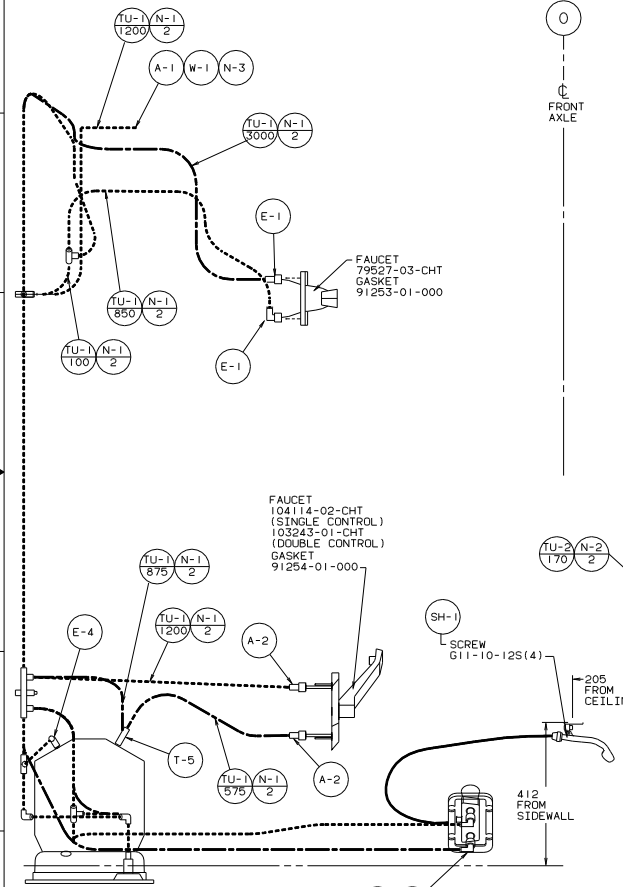
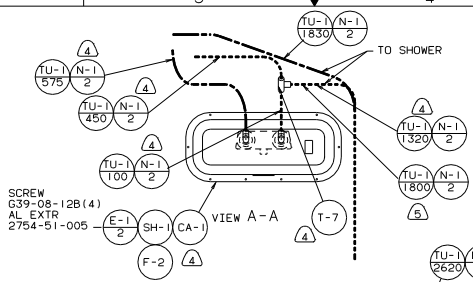
- (14) TRIM P-TRAP EXTENSION TO FIT.
- (13) USE WITHOUT SURROUND.
- (12) USE WITH SURROUND.

FOR DRAINAGE CALLOUTS SEE DWG NO. 116229-01-000

WINNERAGO 93 528RO

DATE	528RO	TITLE	DRAINAGE SYSTEM INSTL
SCALE	1:1	SCALE	1:1
NO. SHEETS	1	NO. SHEETS	1
SHEET	1	SHEET	1
OF	1	OF	1
DATE	109530	DATE	109530





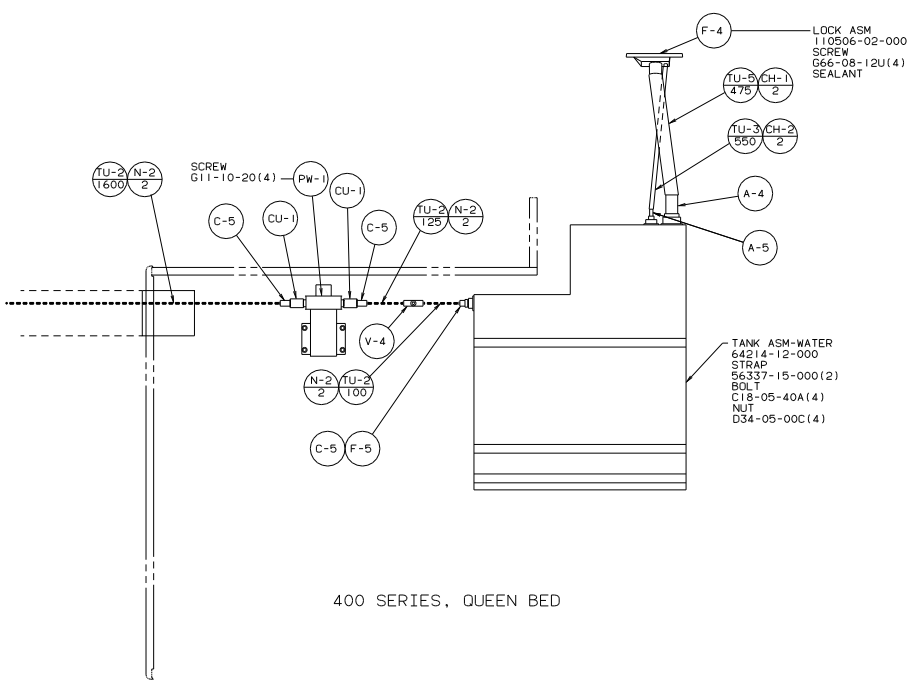
NO	PART NUMBER	DESCRIPTION	QTY
W-1	91208-01-000	WASHER	1
V-6	110438-01-000	VALVE-CHECK, BRASS	1
V-5	77054-01-000	VALVE-1/2MPT X 1/2MPT X 1/4COMP	1
V-4	52960-03-000	VALVE-LINE DRAIN, 5/8FLX5/8FL 16"	1
V-3	52960-02-000	VALVE-LINE DRAIN, 1/2FL X 1/2FL 16"	1
V-2	52960-01-000	VALVE-LINE DRAIN, 1/2FL X 1/2FL	1
V-1	46128-01-000	VALVE-DRAIN, 1/2FPT X 1/2FPT	1
TU-5	39800-04-000	TUBING-1/4"	1
TU-4	79381-01-000	TUBING-1 1/4" ID	1120
TU-3	74462-02-000	TUBING-3/8"	1120
TU-2	39800-02-000	TUBING-5/8"	3085
TU-1	39800-01-000	TUBING-1/2"	17475
T-18	93217-01-000	TEE-SWIVEL, 1/2FLX1/2FPTX1/2FL	1
T-17	74463-03-000	TEE-1/2FLX1/2MPTX1/2FL X 1/2FL	2
T-16	74463-02-000	TEE-1/2FLX1/2MPTX1/2FL X 1/2FL	1
T-15	74463-01-000	TEE-1/2FLX 1/2FL X 1/2FL X 1/2FL	1
T-14	57974-01-000	TEE-5/8FL X 1/2FL X 1/2FL	1
T-13	57973-01-000	TEE-1/2FL X 5/8FL X 1/2FL	1
T-12	55295-02-000	TEE-1/2FL X 5/8FL X 1/2MPT	1
T-11	55295-01-000	TEE-5/8FL X 1/2FL X 1/2MPT	1
T-10	55293-01-000	TEE-5/8FL X 5/8FL X 1/2FL	1
T-9	55292-01-000	TEE-5/8FL X 1/2FL X 5/8FL	1
T-8	55291-01-000	TEE-5/8FL X 5/8FL X 5/8FL	1
T-7	52958-01-000	TEE-1/2FL X 1/2FL X 1/2FL	2
T-6	52956-02-000	TEE-5/8FL X 5/8FL X 1/2MPT	1
T-5	52956-01-000	TEE-1/2FL X 1/2FL X 1/2MPT	1
T-4	52955-03-000	TEE-5/8FL X 1/2MPT X 5/8FL	1
T-3	52955-02-000	TEE-5/8FL X 3/4MPT X 5/8FL	1
T-2	52955-01-000	TEE-1/2MPT X 1/2MPT X 1/2MPT	1
T-1	57978-01-000	TEE-1/2MPT X 1/2MPT X 1/2MPT	1
SH-1	103092-01-000	SHOWER HEAD	2
.	103092-02-000	SHOWER HEAD (CAN)	2
PW-1	98607-01-000	PUMP-WATER	1
N-3	52953-01-000	NUT-FAUCET, 1/2" FPT	1
N-2	52952-02-000	NUT-5/8" FL	8
N-1	52952-01-000	NUT-1/2" FL	34
H-5	93193-02-000	HEADER-1/2MPTX1/2FLX1/2FLX1/2MPT	1
H-4	93193-01-000	HEADER-1/2FLX1/2FLX1/2FLX1/2MPT	1
H-3	52961-03-000	HDR-DRN, 1/2MPTX1/2FX1/2FX1/2F16"	1
H-2	52961-02-000	HEADER-DRN, 1/2MPTX1/2FX1/2FX1/2F16"	1
H-1	52961-01-000	HEADER-DRAIN, 1/2FX1/2FX1/2FX1/2F16"	1
F-5	77954-02-000	FILTER/SCREEN-WATER, IN-TANK	1
F-4	81249-03-CHT	FILL-WATER, LOCKABLE	1
F-3	110915-01-CHT	FILL-CITY	1
F-2	79563-03-CHT	FAUCET-SHOWER	1
F-1	103106-01-000	FAUCET-EXTERNAL WATER 90°	1
E-11	10219-01-000	ELBOW-PLAS 1 1/4MPTX1 1/4BARB	1
E-10	39808-03-000	ELBOW-1/2MPT X 1/2MPT	1
E-9	57457-02-000	ELBOW-5/8FL X 5/8FL	1
E-8	57457-01-000	ELBOW-1/2FL X 1/2FL	1
E-7	55290-01-000	ELBOW-1/2MPT X 5/8FL	2
E-6	52957-04-000	ELBOW-3/4MPT X 5/8FL	1
E-5	52957-03-000	ELBOW-1/4MPT X 1/2FL	1
E-4	52957-02-000	ELBOW-1/2MPT X 1/2FL	1
E-3	52957-01-000	ELBOW-3/8MPT X 1/2FL	1
E-2	70924-01-000	ELBOW-SWIVEL, 1/2MPT X 1/2FPT	8
E-1	65120-01-000	ELBOW-SWIVEL, 1/2FL X 1/2FPT	1
CU-2	101814-02-000	COUPLING-FEMALE, 1/2FPT X 1/2FPT	1
CU-1	101814-01-000	COUPLING-FEMALE, 1/2FPT X 1/2FPT	3
C-6	103798-01-000	CONNECTOR 1/4 OD X 3/8 MPT	1
C-5	98417-01-000	CONNECTOR-5/8FL X 1/2MPT	3
C-4	55294-01-000	CONNECTOR-1/2FL X 5/8FL	1
C-3	52959-03-000	CONNECTOR-1/2FL X 3/8MPT	1
C-2	52959-02-000	CONNECTOR-1/2FL X 1/2MPT	1
CA-1	52959-01-000	CONNECTOR-1/2FL X 1/4MPT	1
CA-1	106217-01-CHT	COMPARTMENT ASM-SHOWER, EXT	1
CH-2	7161-01-000	CLAMP-HOSE, SPRING	2
CH-1	62401-02-000	CLAMP-HOSE, 1/2 - 2 1/2	2
CF-5	106258-02-000	CAP-INSERTABLE FLARE, 5/8"	1
CF-4	106258-01-000	CAP-INSERTABLE FLARE, 1/2"	2
A-5	10224-01-000	ADAPTER-3/8 MPT X 3/8 BARB	1
A-4	44927-01-000	ADAPTER-1 1/4 MPT X 1 1/4 BARB	1
A-3	98420-01-000	ADAPTER-SWIVEL, 5/8FL X 1/2FPT	1
A-2	79317-01-000	ADAPTER-SWIVEL, 1/2FL X 1/2FPT	3
A-1	52954-01-000	ADAPTER-NOSE CONE	1

- (S) USE WITHOUT EXTERIOR SHOWER.
- (A) USE WITH EXTERIOR SHOWER.
- 3. ALL TUBING TO BE SECURED AT 1200 INTERVALS MAX WITH CLAMP 10495-01-000 OR CLIP 91951-01-000 AND SCREW G67-10-12B.
- 2. TUBING TO BE INSTALLED WITH SUFFICIENT SLOPE TO PROVIDE DRAINAGE TO NEAREST VALVE.
- 1. PLASTIC FITTINGS TO BE SEALED WITH SEALANT 84456-01-000.

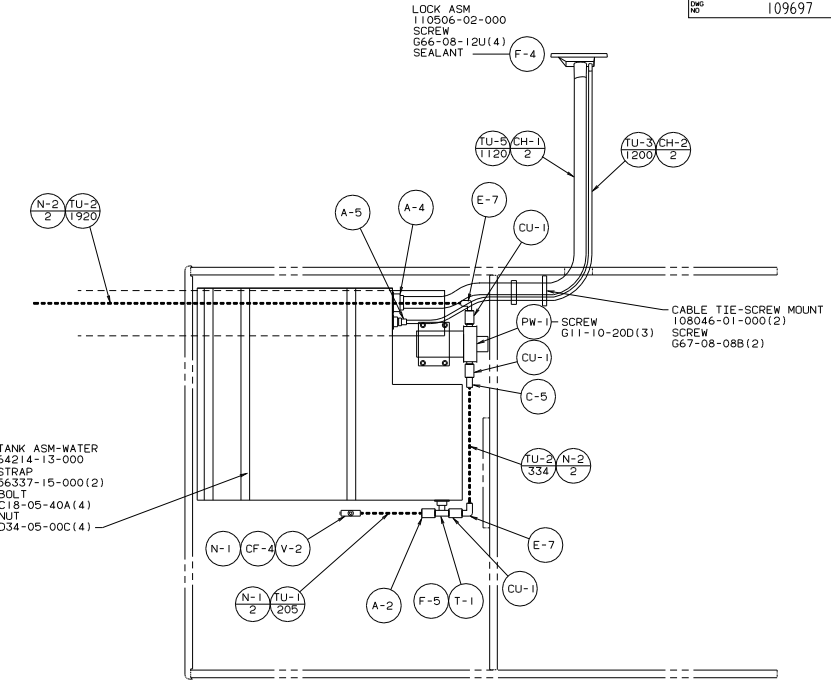
LEGEND	
HOT	-----
COLD	-----

DATE	BY	REV	NO
08/09			109697

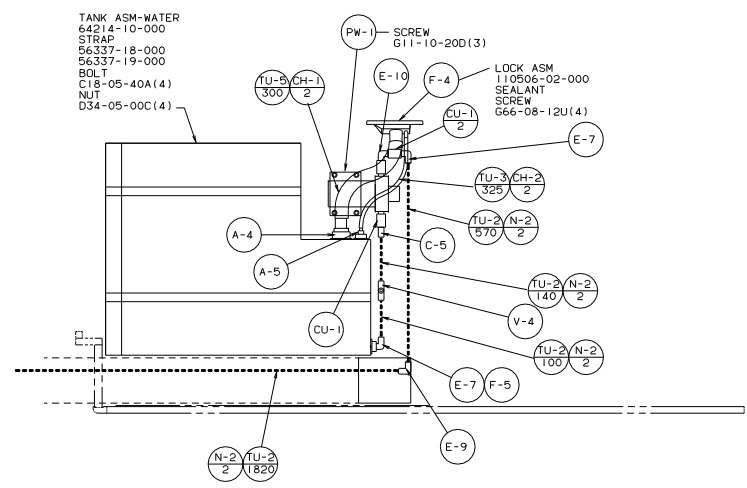
WINNENAGO 93 428/528RD
 528R03 TITLE: WATER SYSTEM INSTL
 DIA # SCALE: NONE DO NOT SCALE DRAWING SIZE: 11x17
 ALL DIMENSIONS ARE IN MILLIMETERS SHEET 1 OF 2



400 SERIES, QUEEN BED



500 SERIES, QUEEN BED



400 AND 500 SERIES TWIN BED

