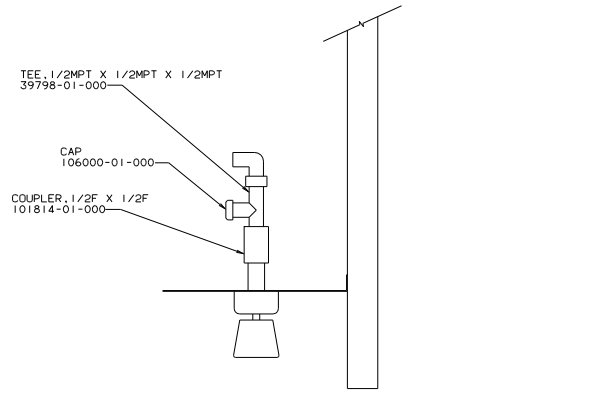


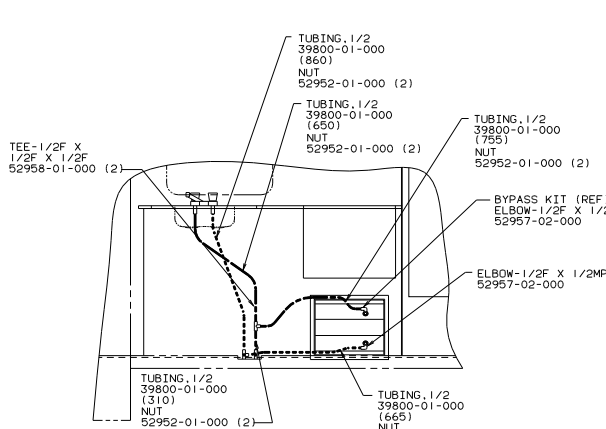
3. ALL TUBING TO BE SECURED AT 1200 INTERVALS MAX. WITH CLAMP 10495-01-000 AND SCREW 667-10-12S.
2. TUBING TO BE INSTALLED WITH SUFFICIENT SLOPE TO PROVIDE DRAINAGE TO NEAREST VALVE.
1. PLASTIC FITTINGS TO BE SEALED WITH SEALANT 84456-01-000.

NOTES:

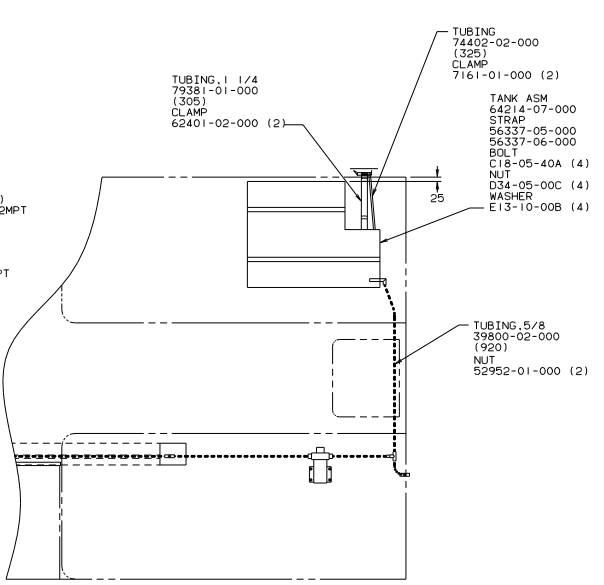
WINNEMAGO		92 W/1F527R0
DATE	UNSPECIFIED TOLERANCES ARE:	MATERIAL
CHG	WHOLE DIM (IN)	+ 1.5
REV	ONE-PLACE (IN, IN)	+ 0.5
BY	TWO-PLACE (IN, IN)	0
CHK	MIXED	0
CDR	THIRD-ANGLE PROJECTION	0
LANE# 427R02	TITLE: WATER SYSTEM INSTL	105206
DIA #	SCALE: 1	DO NOT SCALE DRAWING
ALL DIMENSIONS ARE IN MILLIMETERS	SHEET 1 OF 2	1 E 10



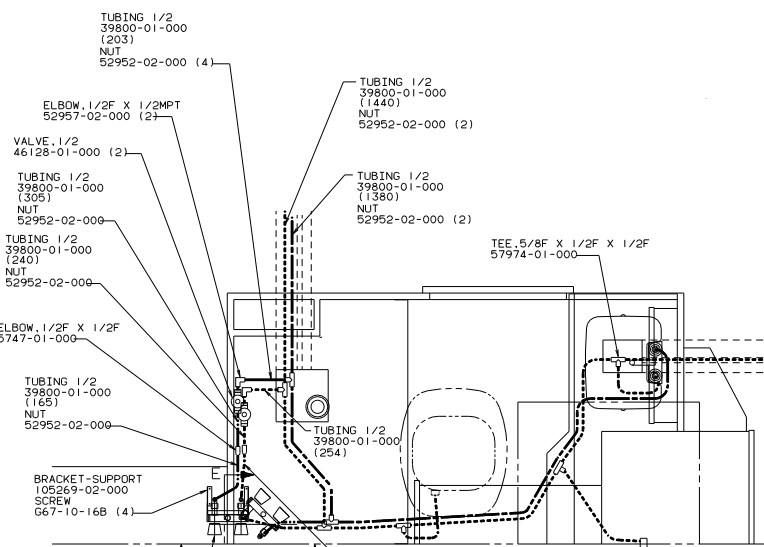
VIEW E-E



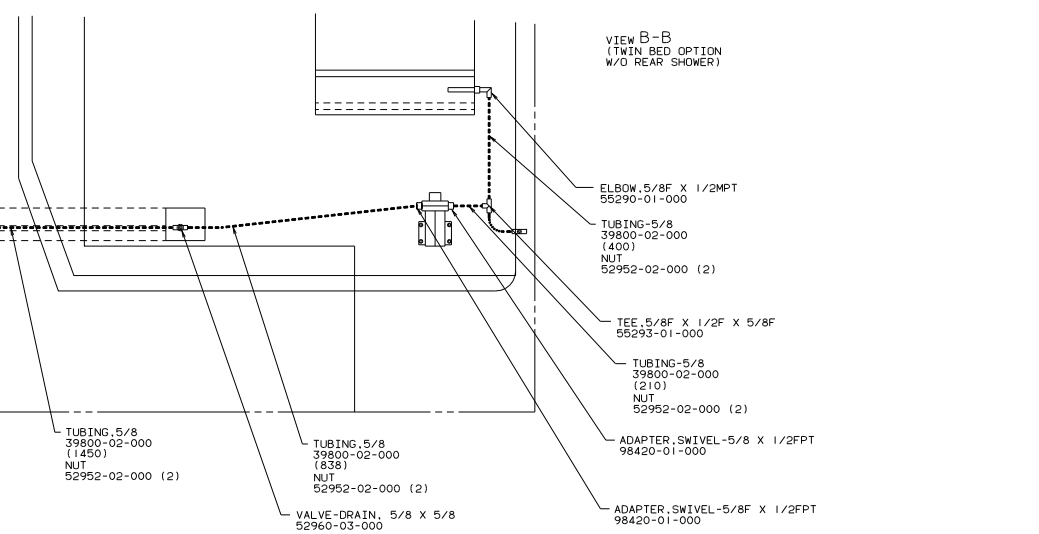
VIEW A-A (W/O BYPASS)



VIEW B-B (TWIN BED OPTION W/O REAR SHOWER)



VIEW B-B (EXTERIOR SHOWER OPTION)



VIEW C-C

