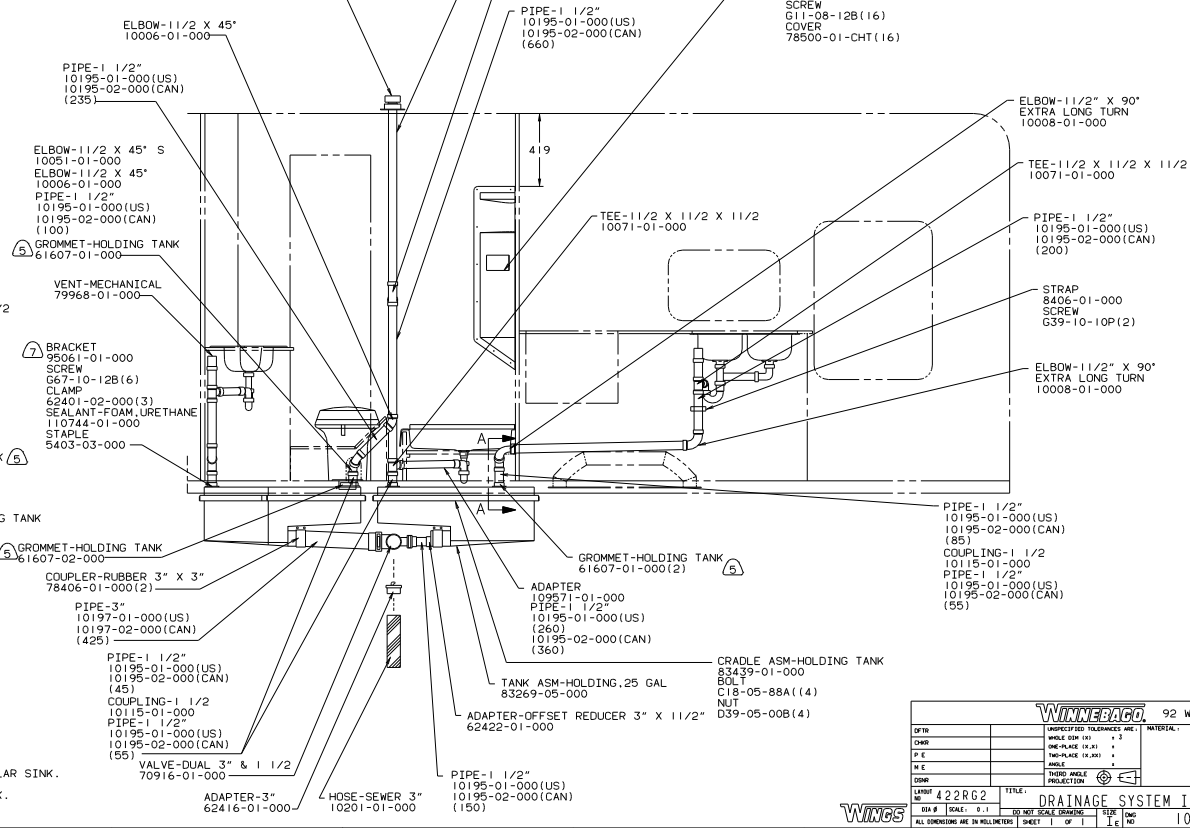
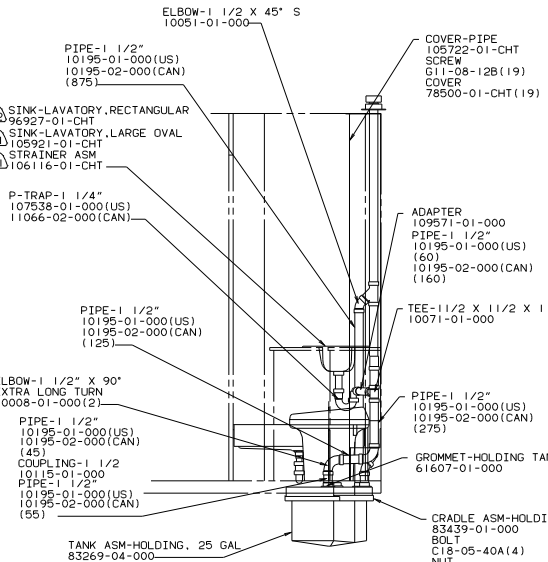
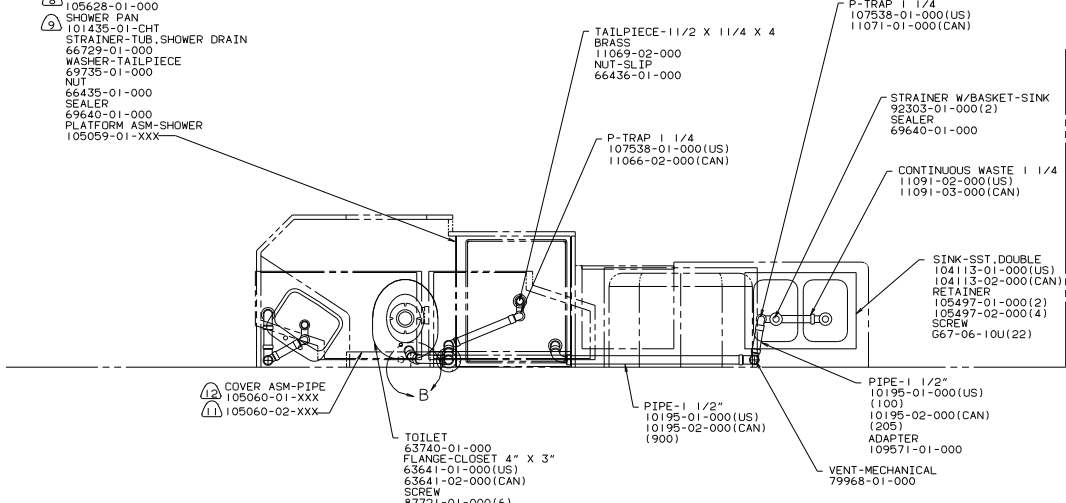


- 8 SHOWER INSL-ENCLOSURE 105628-01-000
- 9 SHOWER PAN 101435-01-CHT
- STRAINER-TUB, SHOWER DRAIN 66729-01-000
- WASHER-TAILPIECE 69735-01-000
- NUT 66435-01-000
- SEALER 69640-01-000
- PLATFORM ASM-SHOWER 105059-01-XXX



- 12 SINK-LAVATORY, RECTANGULAR 96927-01-CHT
- 11 SINK-LAVATORY, LARGE OVAL 105921-01-CHT
- 10 STRAINER ASM 106116-01-CHT
- P-TRAP-1 1/4" 107538-01-000(US) 11066-02-000(CAN)
- PIPE-1 1/2" 10195-01-000(US) 10195-02-000(CAN) (875)
- COVER-PIPE 105722-01-CHT
- SCREW G11-08-12B(19)
- COVER 78500-01-CHT(19)
- ELBOW-1 1/2 X 45° S 10006-01-000
- PIPE-1 1/2" 10195-01-000(US) 10195-02-000(CAN) (235)
- ADAPTER 109571-01-000
- PIPE-1 1/2" 10195-01-000(US) 10195-02-000(CAN) (160)
- TEE-1 1/2 X 1 1/2 X 1 1/2 10071-01-000
- PIPE-1 1/2" 10195-01-000(US) 10195-02-000(CAN) (275)
- GROMMET-HOLDING TANK 61607-01-000
- VENT-MECHANICAL 79968-01-000
- BRACKET 95061-01-000
- SCREW G67-0-12B(6)
- CLAMP 62401-02-000(3)
- SEALANT-FOAM, URETHANE 10744-01-000
- STAPLE 5403-03-000
- GROMMET-HOLDING TANK 61607-01-000
- CRADLE ASM-HOLDING TANK 83439-01-000
- BOLT C18-05-40A(4)
- NUT D39-05-00B(4)
- GROMMET-HOLDING TANK 61607-02-000
- COUPLER-RUBBER 3" X 3" 78406-01-000(2)
- PIPE-3" 10197-01-000(US) 10197-02-000(CAN) (425)
- PIPE-1 1/2" 10195-01-000(US) 10195-02-000(CAN) (45)
- COUPLING-1 1/2 10115-01-000
- PIPE-1 1/2" 10195-01-000(US) 10195-02-000(CAN) (55)
- VALVE-DUAL 3" & 1 1/2 70916-01-000
- ADAPTER-3" 62416-01-000
- HOSE-SEWER 3" 10201-01-000
- PIPE-1 1/2" 10195-01-000(US) 10195-02-000(CAN) (150)
- ADAPTER-OFFSET REDUCER 3" X 1 1/2" 62422-01-000
- TANK ASM-HOLDING, 25 GAL 83269-05-000
- CRADLE ASM-HOLDING TANK 83439-01-000
- BOLT C18-05-88A(14)
- NUT D39-05-00B(14)
- PIPE-1 1/2" 10195-01-000(US) 10195-02-000(CAN) (85)
- COUPLING-1 1/2 10115-01-000
- PIPE-1 1/2" 10195-01-000(US) 10195-02-000(CAN) (55)
- ADAPTER 109571-01-000
- PIPE-1 1/2" 10195-01-000(US) 10195-02-000(CAN) (260)
- NUT 10195-02-000(CAN) (360)
- CRADLE ASM-HOLDING TANK 83439-01-000
- BOLT C18-05-88A(14)
- NUT D39-05-00B(14)
- PIPE-1 1/2" 10195-01-000(US) 10195-02-000(CAN) (200)
- TEE-1 1/2 X 1 1/2 X 1 1/2 10071-01-000
- ELBOW-1 1/2" X 90° EXTRA LONG TURN 10008-01-000
- PIPE-1 1/2" 10195-01-000(US) 10195-02-000(CAN) (200)
- STRAP 8406-01-000
- SCREW G39-10-10P(2)
- ELBOW-1 1/2" X 90° EXTRA LONG TURN 10008-01-000
- PIPE-1 1/2" 10195-01-000(US) 10195-02-000(CAN) (1075)
- WYE-1 1/2 X 45° 10073-01-000
- PIPE-1 1/2" 10195-01-000(US) 10195-02-000(CAN) (660)
- CADDY-SHOWER 105707-01-CHT
- PANEL-REINF 102028-03-000
- TAPE 76322-01-000
- SCREW G11-08-12B(16)
- COVER 78500-01-CHT(16)
- VENT-MECHANICAL 79968-01-000
- PIPE-1 1/2" 10195-01-000(US) 10195-02-000(CAN) (100)
- ADAPTER 109571-01-000
- SINK-SST, DOUBLE 104113-01-000(US) 104113-02-000(CAN)
- RETAINER 105497-01-000(2)
- SEALER 105497-02-000(4)
- SCREW G67-06-10U(22)
- CONTINUOUS WASTE 1 1/4 11091-02-000(US) 11091-03-000(CAN)
- STRAINER W/BASKET-SINK 92303-01-000(2)
- SEALER 69640-01-000
- P-TRAP 1 1/4 107538-01-000(US) 11071-01-000(CAN)
- TAILPIECE-1 1/2 X 1 1/4 X 4 BRASS 11069-02-000
- NUT-SLIP 66436-01-000
- COVER ASM-PIPE 105060-01-XXX
- TOILET 63740-01-000
- FLANGE-CLOSET 4" X 3" 63641-01-000(US) 63641-02-000(CAN)
- SCREW 87721-01-000(6)

- 1. CLEAN AND APPLY ADHESIVE PROMOTER 87211-01-000 TO BOTH SURFACES AND BOND WITH TAPE.
- 2. USE WITHOUT SURROUND.
- 3. USE WITH SURROUND.
- 4. SECURE VENT TUBES TO FLOOR.
- 5. VENT PIPE MUST PROJECT 51 MINIMUM TO 64 ABOVE ROOF FOR PROPER FIT AND FUNCTION.
- 6. SEE DRAWING 61607-01-000 FOR INSTALLATION OF GROMMET.
- 7. ALL EXTERIOR OPENINGS AROUND PIPE TO BE SEALED WITH 69637-01-000.
- 8. ALL PIPE AND FITTINGS TO BE ASSEMBLED WITH SOLVENT 4020-01-000.
- 9. SLOPE OF TRAP ARM MUST BE 6 PER 305.
- 10. SLOPE OF HORIZONTAL PIPING TO BE 6 PER 305.
- 11. USE WITH RECTANGULAR SINK.
- 12. USE WITH OVAL SINK.

**WINNAPCO** 92 W/1F422RG2

OPTN	UNSPECIFIED TOLERANCES ARE:	MATERIAL:
CHRP	FRONT END (1)	FRONT END (1)
PIPE	ONE-PLATE (1)	ONE-PLATE (1)
W/E	ONE-PLATE (1)	ONE-PLATE (1)
CONR	FRONT W/END PROTECTOR	FRONT W/END PROTECTOR

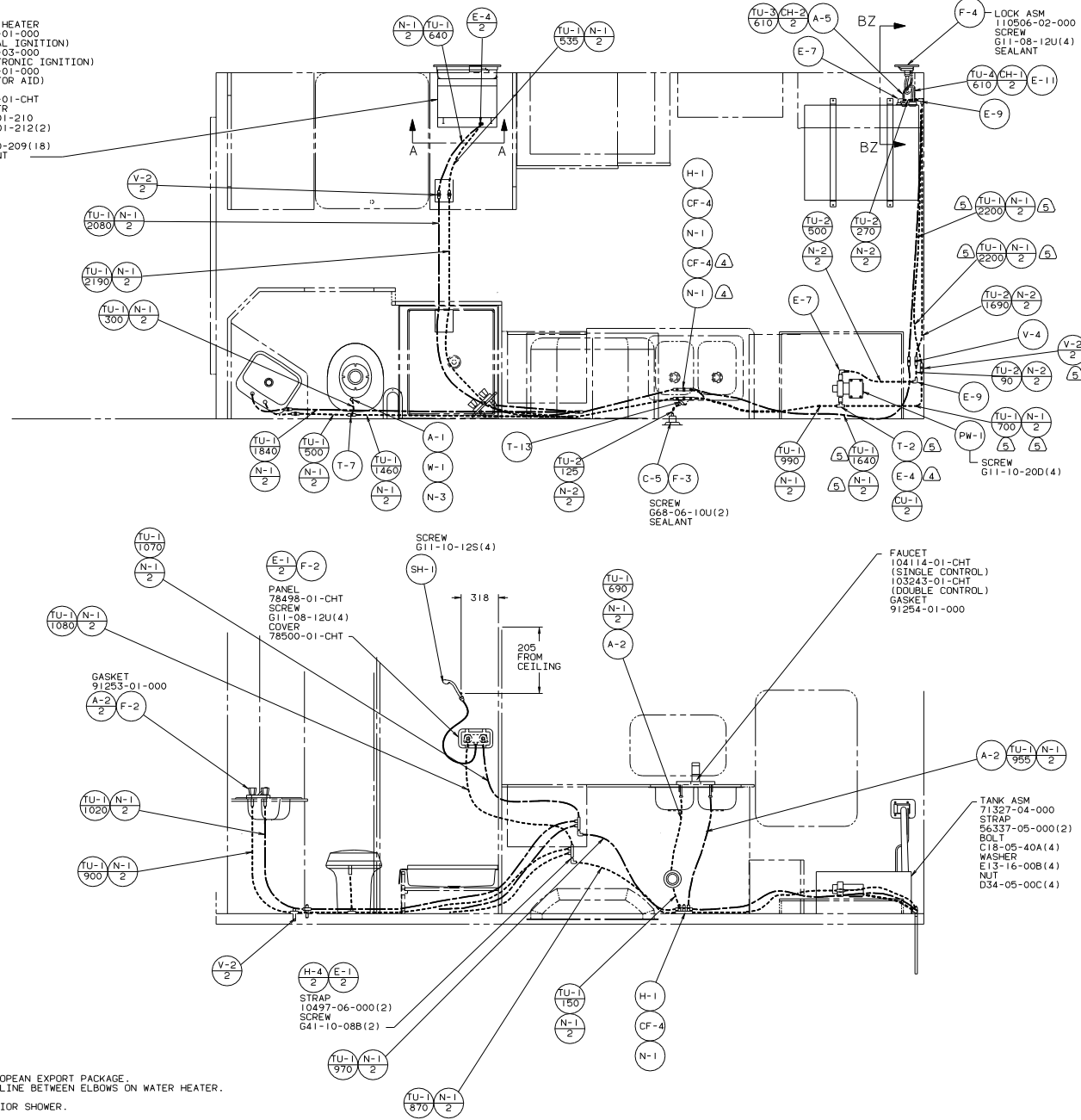
LANO# 422RG2 TITLE: DRAINAGE SYSTEM INSTL  
 DIA # SCALE: 0.1 30.00 NET SCALE DRAWING  
 ALL DIMENSIONS ARE IN MILLIMETERS SHEET 1 OF 1 105314

WINNAPCO  
 REF: 103238

8 7 6 5 4 3 2

H  
G  
F  
E  
D  
C  
B  
A

WATER HEATER  
 51391-01-000  
 (MANUAL IGNITION)  
 51391-03-000  
 (ELECTRONIC IGNITION)  
 51393-01-000  
 (W/MOTOR AID)  
 DOOR  
 78506-01-CHT  
 AL. EXTR  
 2726-01-210  
 2726-01-212(2)  
 SCREW  
 G39-10-209(18)  
 SEALANT



NO.	PART NUMBER	DESCRIPTION	QTY
W-1	91208-01-000	WASHER	1
V-6	110438-01-000	VALVE-CHECK, BRASS	1
V-5	77054-01-000	VALVE-1/2MPT X 1/2MPT X 1/4COMP	1
V-4	52960-03-000	VALVE-LINE DRAIN, 5/8FLX5/8FL 16"	1
V-3	52960-02-000	VALVE-LINE DRAIN, 1/2FL X 1/2FL 16"	6
V-2	52960-01-000	VALVE-LINE DRAIN, 1/2FL X 1/2FL	1
V-1	46128-01-000	VALVE-DRAIN, 1/2FTPT X 1/2FTPT	1
TU-5	39800-04-000	TUBING-1/4"	1
TU-4	79381-01-000	TUBING-1 1/4" ID	1200
TU-3	74462-02-000	TUBING-3/8"	1200
TU-2	39800-02-000	TUBING-5/8"	2675
TU-1	39800-01-000	TUBING-1/2"	26650
T-18	93217-01-000	TEE-SWIVEL, 1/2FLX1/2FTPTX1/2FL	1
T-17	74463-03-000	TEE-1/2FLX1/2MPTX1/2FL X 1/2FL	1
T-16	74463-02-000	TEE-1/2FLX1/2MPTX1/2FL X 1/2FL	1
T-15	74463-01-000	TEE-1/2FLX1/2FL X 1/2FL X 1/2FL	1
T-14	57974-01-000	TEE-5/8FL X 1/2FL X 1/2FL	1
T-13	57973-01-000	TEE-1/2FL X 5/8FL X 1/2FL	1
T-12	55295-02-000	TEE-1/2FL X 5/8FL X 1/2MPT	1
T-11	55295-01-000	TEE-5/8FL X 1/2FL X 1/2MPT	1
T-10	55293-01-000	TEE-5/8FL X 5/8FL X 1/2FL	1
T-9	55291-01-000	TEE-5/8FL X 5/8FL X 5/8FL	1
T-8	55291-01-000	TEE-5/8FL X 5/8FL X 5/8FL	1
T-7	52958-01-000	TEE-1/2FL X 1/2FL X 1/2FL	1
T-6	52956-02-000	TEE-5/8FL X 5/8FL X 1/2MPT	1
T-5	52956-01-000	TEE-1/2FL X 1/2FL X 1/2MPT	1
T-4	52955-03-000	TEE-5/8FL X 1/2MPT X 5/8FL	1
T-3	52955-02-000	TEE-5/8FL X 3/4MPT X 5/8FL	1
T-2	52955-01-000	TEE-1/2FL X 1/2MPT X 1/2FL	1
T-1	39798-01-000	TEE-1/2MPT X 1/2MPT X 1/2MPT	1
SH-1	103092-01-000	SHOWER HEAD	3
SH-1	103092-02-000	SHOWER HEAD (CAN)	3
PW-1	98607-01-000	PUMP-WATER	1
N-3	52953-01-000	NUT-FAUCET, 1/2" FPT	1
N-2	52952-02-000	NUT-5/8" FL	12
N-1	52952-01-000	NUT-1/2" FL	49
H-7	74463-03-000	HEADER-DRN, 1/2FX1/2MPTX1/2FX1/2FL	1
H-5	93193-02-000	HEADER-1/2MPTX1/2FLX1/2FLX1/2MPT	1
H-4	93193-01-000	HEADER-1/2FLX1/2FLX1/2FLX1/2MPT	2
H-3	52961-03-000	HDR-DRN, 1/2MPTX1/2FX1/2FX1/2FL	1
H-2	52961-02-000	HEADER-DRN, 1/2MPTX1/2FX1/2FX1/2FL	1
H-1	52961-01-000	HEADER-DRAIN, 1/2FX1/2FX1/2FX1/2FL	2
F-5	77954-02-000	FILTER-SCREEN-WATER, IN-TANK	1
F-4	81249-03-CHT	FILL-WATER, LOCKABLE	1
F-3	110915-01-CHT	FILL-CITY	1
F-2	79563-03-CHT	FAUCET-SHOWER	4
F-1	103106-01-000	FAUCET-EXTERNAL WATER 90°	1
E-11	10219-01-000	ELBOW-PLAS 1 1/4MPTX1 1/4BARB	1
E-10	39808-03-000	ELBOW-1/2MPT X 1/2MPT	1
E-9	57457-02-000	ELBOW-5/8FL X 5/8FL	2
E-8	57457-01-000	ELBOW-1/2FL X 1/2FL	1
E-7	55291-01-000	ELBOW-1/2MPT X 5/8FL	3
E-6	52957-04-000	ELBOW-3/4MPT X 5/8FL	1
E-5	52957-03-000	ELBOW-1/4MPT X 1/2FL	1
E-4	52957-02-000	ELBOW-1/2MPT X 1/2FL	4
E-3	52957-01-000	ELBOW-3/8MPT X 1/2FL	1
E-2	70924-01-000	ELBOW-SWIVEL, 1/2MPT X 1/2FTPT	1
E-1	65120-01-000	ELBOW-SWIVEL, 1/2FL X 1/2FTPT	1
C-6	101814-01-000	COUPLING-FEMALE, 1/2FTPT X 1/2FTPT	3
C-5	103798-01-000	CONNECTOR 1/4 OD X 3/8 MPT	1
C-5	98417-01-000	CONNECTOR-5/8FL X 1/2MPT	1
C-4	55294-01-000	CONNECTOR-1/2FL X 5/8FL	1
C-3	52959-03-000	CONNECTOR-1/2FL X 3/8MPT	1
C-2	52959-02-000	CONNECTOR-1/2FL X 1/2MPT	1
C-1	52959-01-000	CONNECTOR-1/2FL X 1/4MPT	1
2A-1	106217-01-CHT	COMPARTMENT ASM-SHOWER, EXT	1
CH-2	7161-01-000	CLAMP-HOSE, SPRING	4
CH-1	62401-02-000	CLAMP-HOSE, 1 1/2 - 2 1/2	4
CF-5	106258-02-000	CAP-INSERTABLE FLARE, 5/8"	1
CF-4	106258-01-000	CAP-INSERTABLE FLARE, 1/2"	4
A-5	10224-01-000	ADAPTER-3/8 MPT X 3/8 BARB	1
A-4	44927-01-000	ADAPTER-1 1/4 MPT X 1 1/4 BARB	1
A-3	98420-01-000	ADAPTER-SWIVEL, 5/8FL X 1/2FTPT	1
A-2	79317-01-000	ADAPTER-SWIVEL, 1/2FL X 1/2FTPT	4
A-1	52954-01-000	ADAPTER-NOSE CONE	1

- (6) NOT USED W/EUROPEAN EXPORT PACKAGE. ADD CONNECTOR LINE BETWEEN ELBOWS ON WATER HEATER.
  - (5) USE WITH EXTERIOR SHOWER.
  - (4) USE WITHOUT EXTERIOR SHOWER.
- ALL TUBING TO BE SECURED AT 1200 INTERVALS MAX WITH CLAMP 10495-01-000 OR CLIP 91951-01-000 AND SCREW G67-10-128.
  - PLASTIC FITTINGS TO BE SEALED WITH SEALANT 84456-01-000.
  - TUBING TO BE INSTALLED WITH SUFFICIENT SLOPE TO PROVIDE DRAINAGE TO NEAREST VALVE.

HOT LINE	---
COLD LINE	----

WINNEBAGO 94 423RD

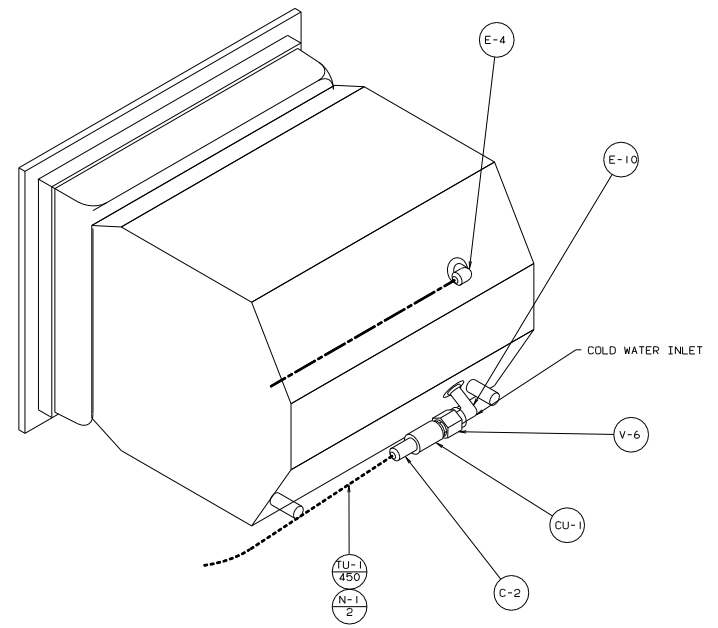
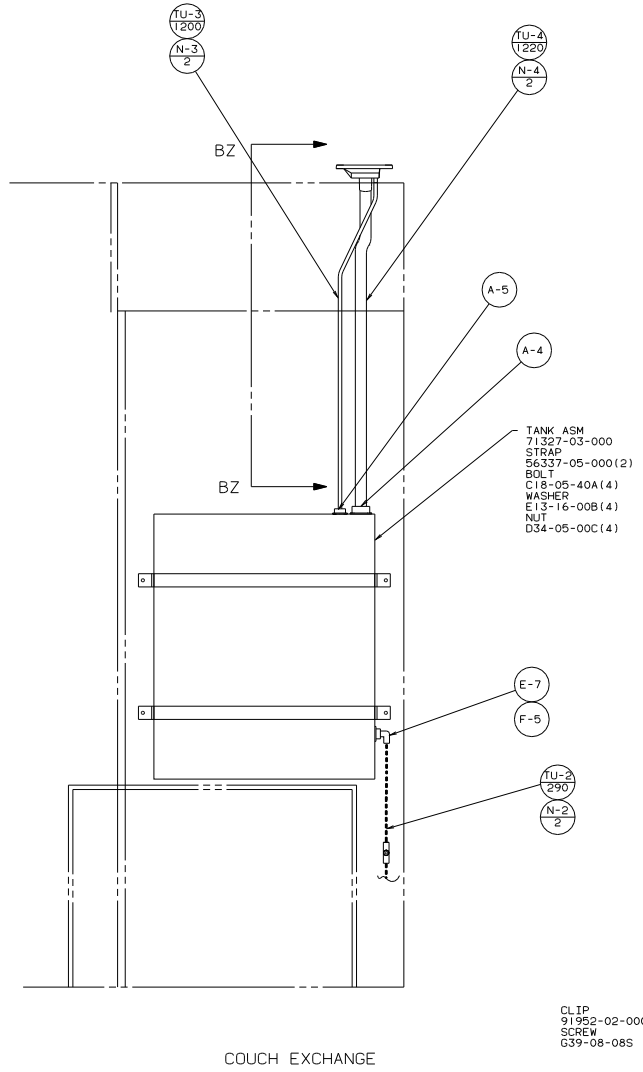
WATER SYSTEM INSTL

DATE: 01/06/07

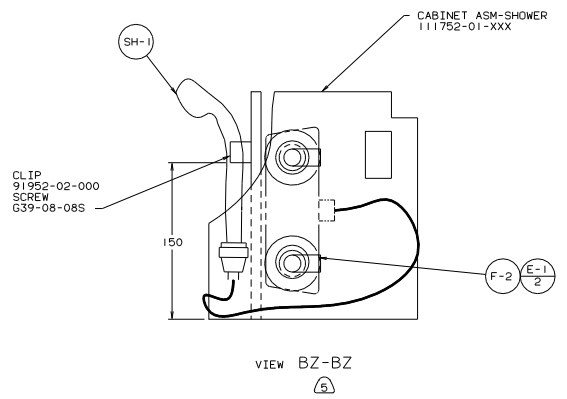
ALL DIMENSIONS ARE IN INCHES UNLESS OTHERWISE SPECIFIED

110657

0  
C  
FRONT  
AXLE



VIEW A-A  
USE WITH MOTORAID



VIEW BZ-BZ

TITLE: WATER SYSTEM INSTL	
30 NET SCALE DRAWING	SIZE: 11.6
SHEET 2 OF 2	DATE: 110657