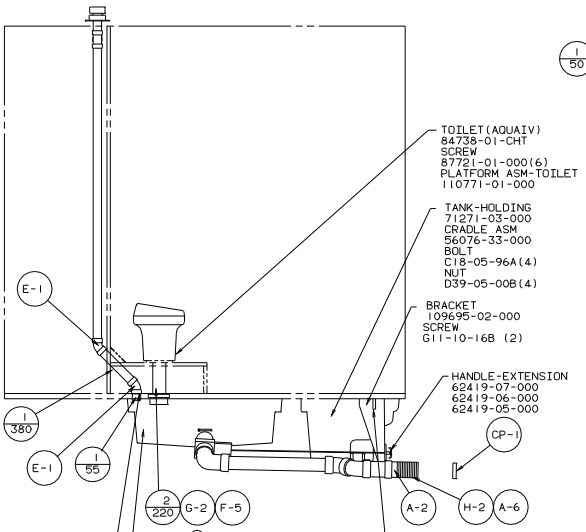


VIEW B-B

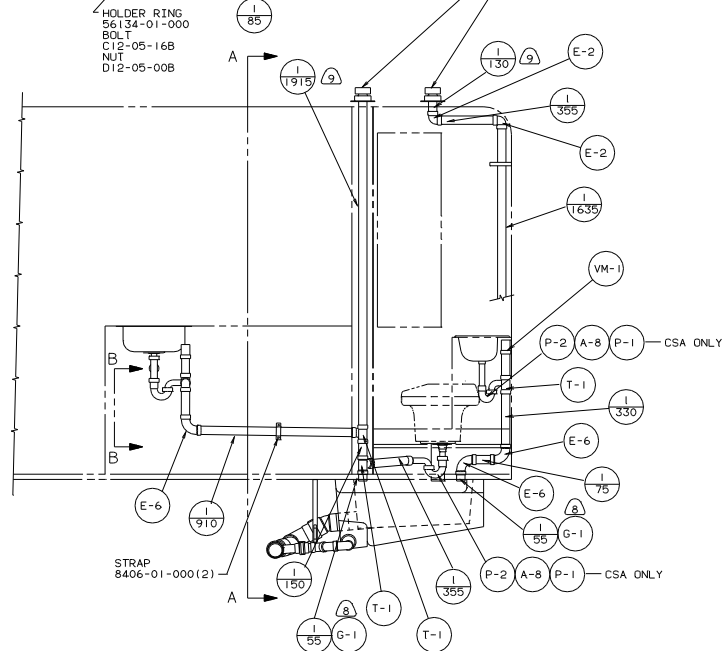
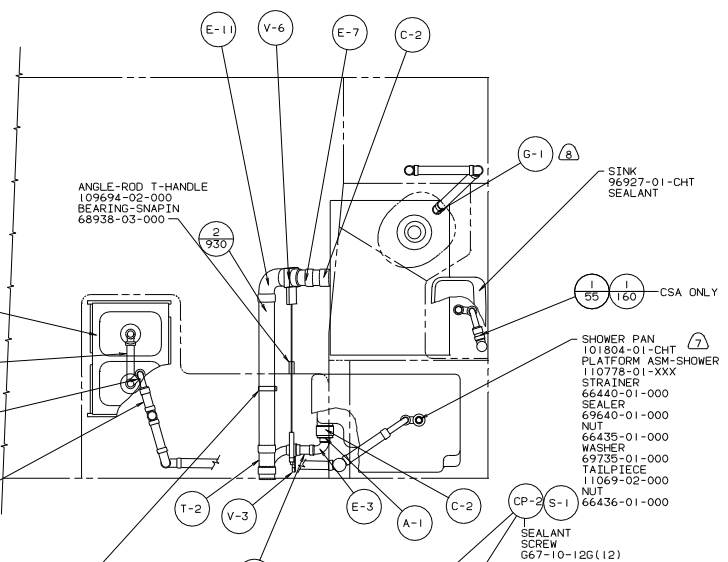


VIEW A-A

- TOILET (AQUATIV)
 84738-01-CHT
 SCREW
 87721-01-000(6)
 PLATFORM ASM-TOILET
 110771-01-000
- TANK-HOLDING
 71271-03-000
 CRADLE ASM
 56076-33-000
 BOLT
 C18-05-96A(4)
 NUT
 D39-05-00B(4)
- BRACKET
 109695-02-000
 SCREW
 G11-10-16B (2)
- HANDLE-EXTENSION
 62419-07-000
 62419-06-000
 62419-05-000
- BRACKET
 76827-02-000
 SCREW
 G39-10-12B (2)
 G11-10-16B (2)
- BRACKET
 95061-01-000(3)
 SCREW
 G67-10-12B(6)
 CLAMP
 62401-02-000(3)
- TANK-HOLDING
 74861-07-000
 CRADLE ASM
 56076-22-000
 BOLT
 C18-05-96A(4)
 NUT
 D39-05-00B(4)

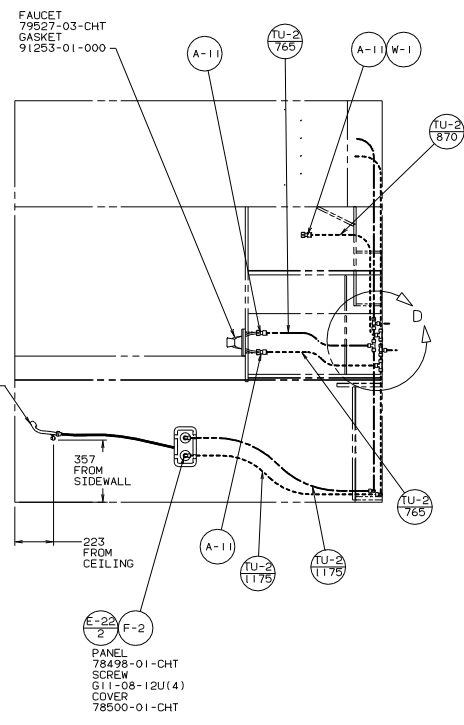
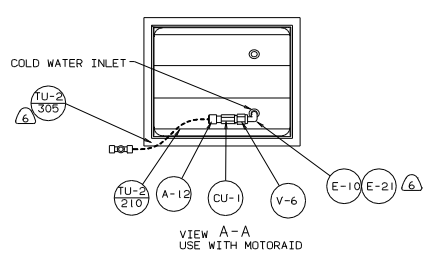
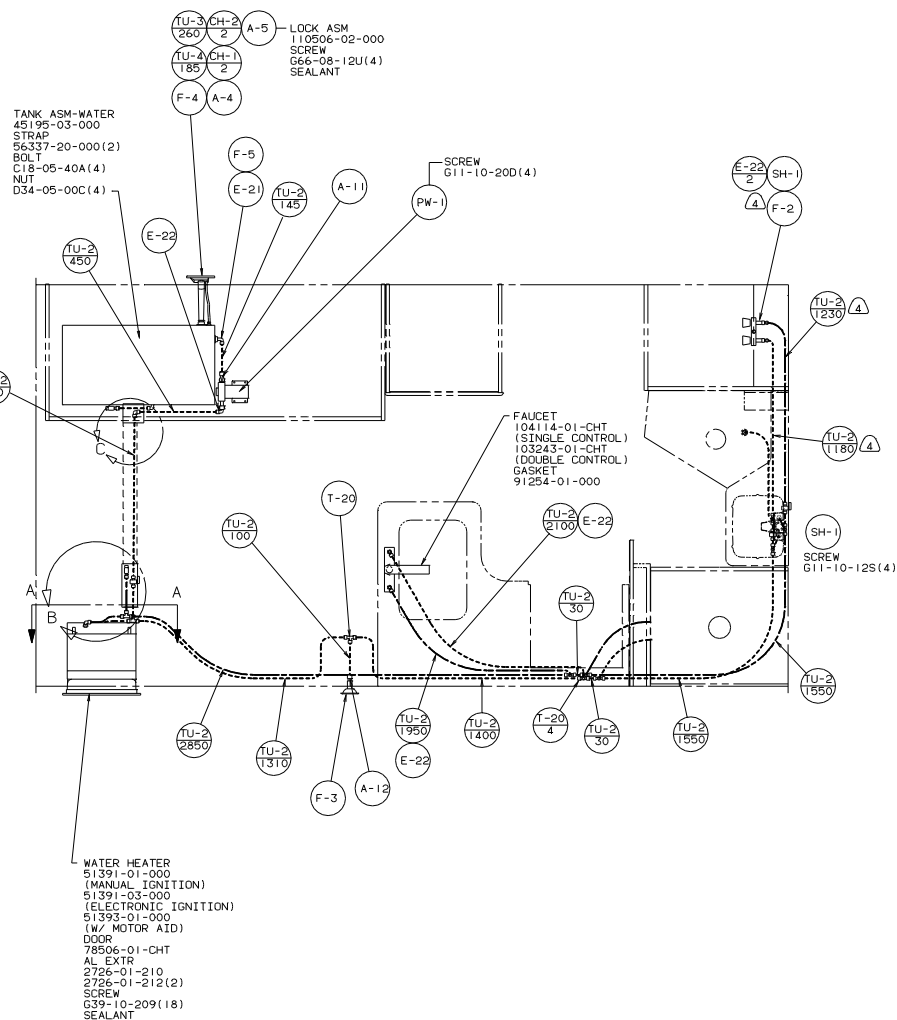
- 10 SECURE VENT TUBES TO FLOOR.
- 9 VENT PIPE MUST PROJECT 51 MM MIN AND 63.5 MM MAX ABOVE ROOF FOR PROPER FIT AND FUNCTION.
- 8 SEE DWG 61607-01-000 FOR INSTL OF GROMMET.
- 7 SEAL ALL AROUND SHOWER WITH SILICONE 78474-01-CHT.
- 6 FOR CAN UNITS EACH HOLDING TANK SHALL HAVE A CSA APPROVAL STAMPED NEAR THE IAMPO APPROVAL.
- 5 EXPOSED PIPE ABOVE ROOF TO BE PAINTED 37163-01-000.
- 4 ALL EXTERIOR OPENINGS AROUND PIPE TO BE SEALED WITH 110744-01-000.
- 3 ALL PIPE AND FITTINGS TO BE ASSEMBLED WITH SOLVENT 4020-01-000.
- 2 SLOPE OF TRAP ARM MUST BE 6 PER 305.
- 1 SLOPE OF HORIZONTAL PIPING TO BE 6 PER 305 MM.

NOTES:



FOR DRAINAGE CALLOUTS SEE DWG NO. 116229-01-000

WINNERAGO		94 421RB
QTY	UNSPECIFIED TOLERANCES ARE	MATERIAL
CHP	WHOLE OR 1/2	
FR	ONE-PLACE IN 31	
FR	TWO-PLACE IN 303	
FR	ANGLE	
CDR	TRUSS W/ANGLE PROTECTION	
LAINT NO	421RB4	TITLE: DRAINAGE SYSTEM INSTL
REV	SCALE 0 1	DO NOT SCALE DRAWING
ALL DIMENSIONS ARE IN MILLIMETERS	SHEET 1 OF 1	DWG NO 110931



- ③ USE WITHOUT MOTOR AID.
 - ⑤ USE WITHOUT EXTERIOR SHOWER.
 - ④ USE WITH EXTERIOR SHOWER.
3. ALL TUBING TO BE SECURED AT 1200 INTERVALS MAXIMUM WITH CLAMP 10495-01-000 AND SCREW G67-10-12B.
2. TUBING TO BE INSTALLED WITH SUFFICIENT SLOPE TO PROVIDE DRAINAGE TO NEAREST VALVE.
1. PLASTIC FITTINGS TO BE SEALED WITH SEALANT 84456-01-000.

(X-X) FOR WATER CALLOUTS SEE DWG NO. 116330-01-000

LEGEND	
HOT	—————
COLD	-----

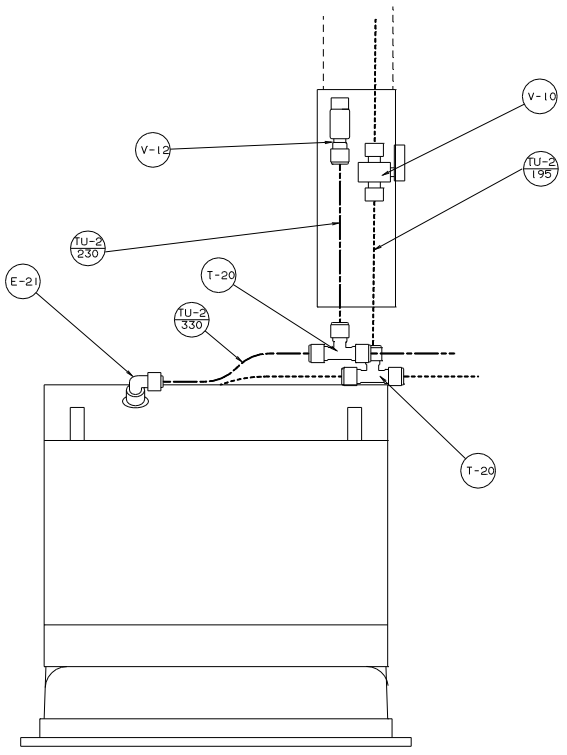
WINNEBAGO 94 421RB

DATE	11/10/84	BY	DR
REV		DATE	

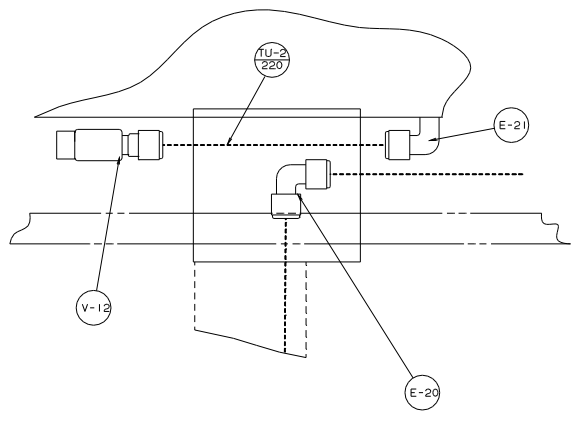
UNSPECIFIED TOLERANCES ARE:
 HOLE DIA (IN) .125
 ONE-PLATE (IN X1) .005
 TWO-PLATE (IN X1) .005
 HOLE .005
 HOLE .005
 HOLE .005
 HOLE .005

DATE: 421RB4
 TITLE: WATER SYSTEM INSTL
 SHEET 1 OF 2

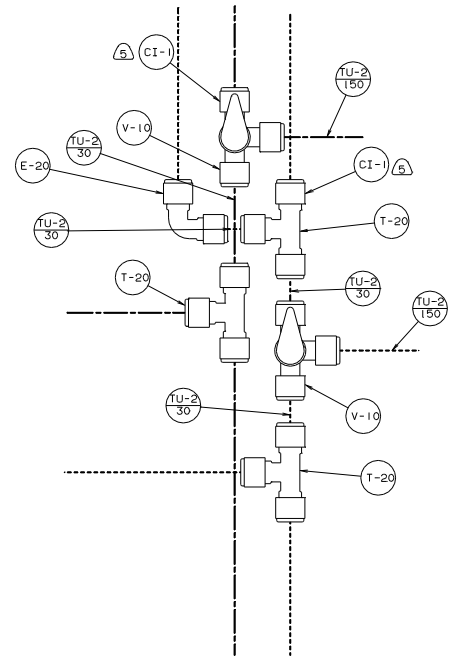
WINNEBAGO REF: 109697



DETAIL B



DETAIL C



DETAIL D

TITLE: WATER SYSTEM INSTL	
30 NET SCALE DRAWING	DATE
SHEET 2 OF 2	111084