

SEE DRAWING 104478-01-000 WIRING DIAGRAM-AUTOMOTIVE FOR ADDITIONAL WIRING.

WIRING DIAGRAM-CHASSIS (WIRE ASM 111047)

**WINNEAGO** 94 F31RO

DATE	BY	DATE	BY	DATE	BY

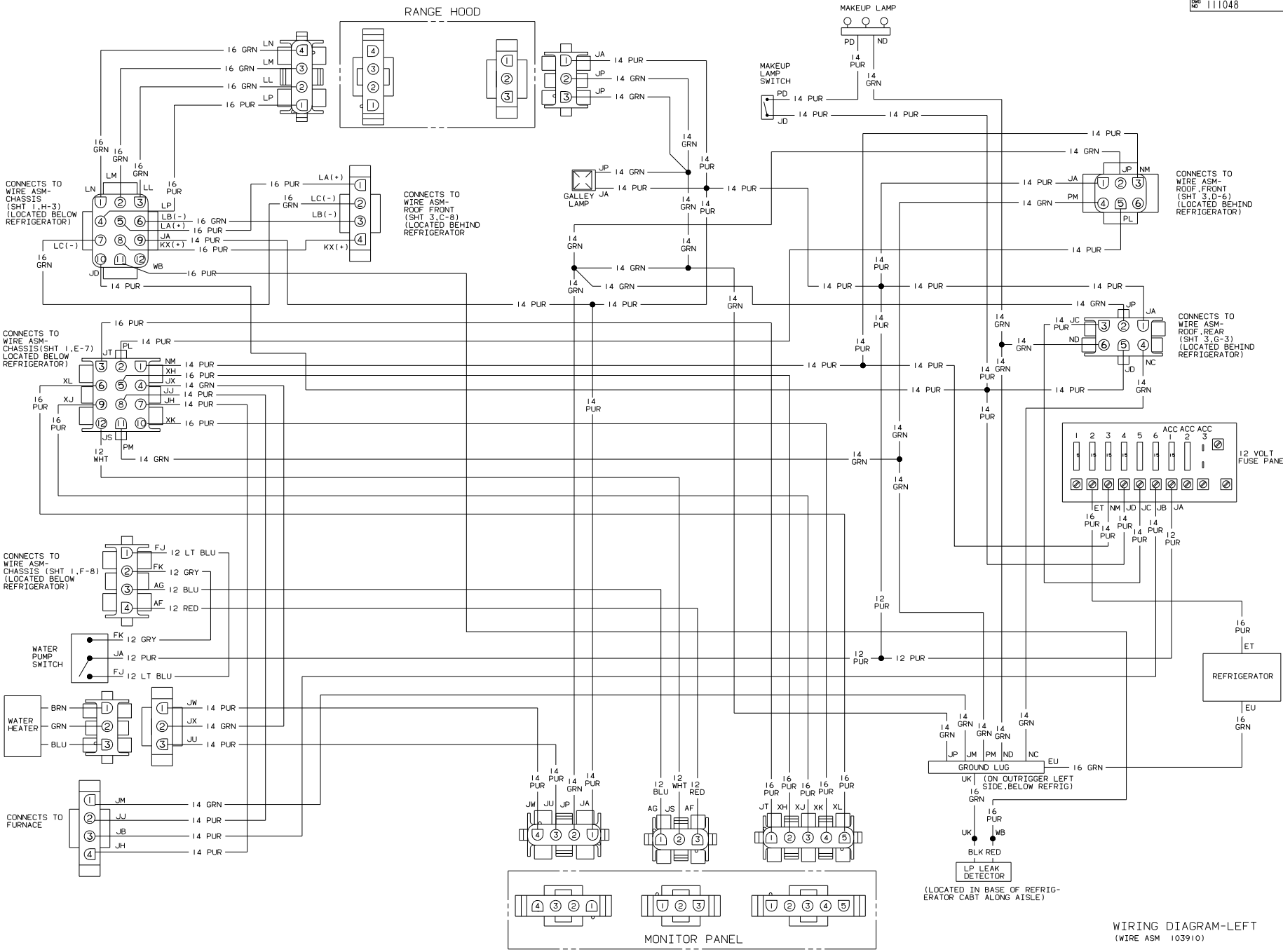
UNSPECIFIED TOLERANCES ARE IN INCHES

DRY SCALE DRAWING

**WIRING DIAGRAM-BODY**

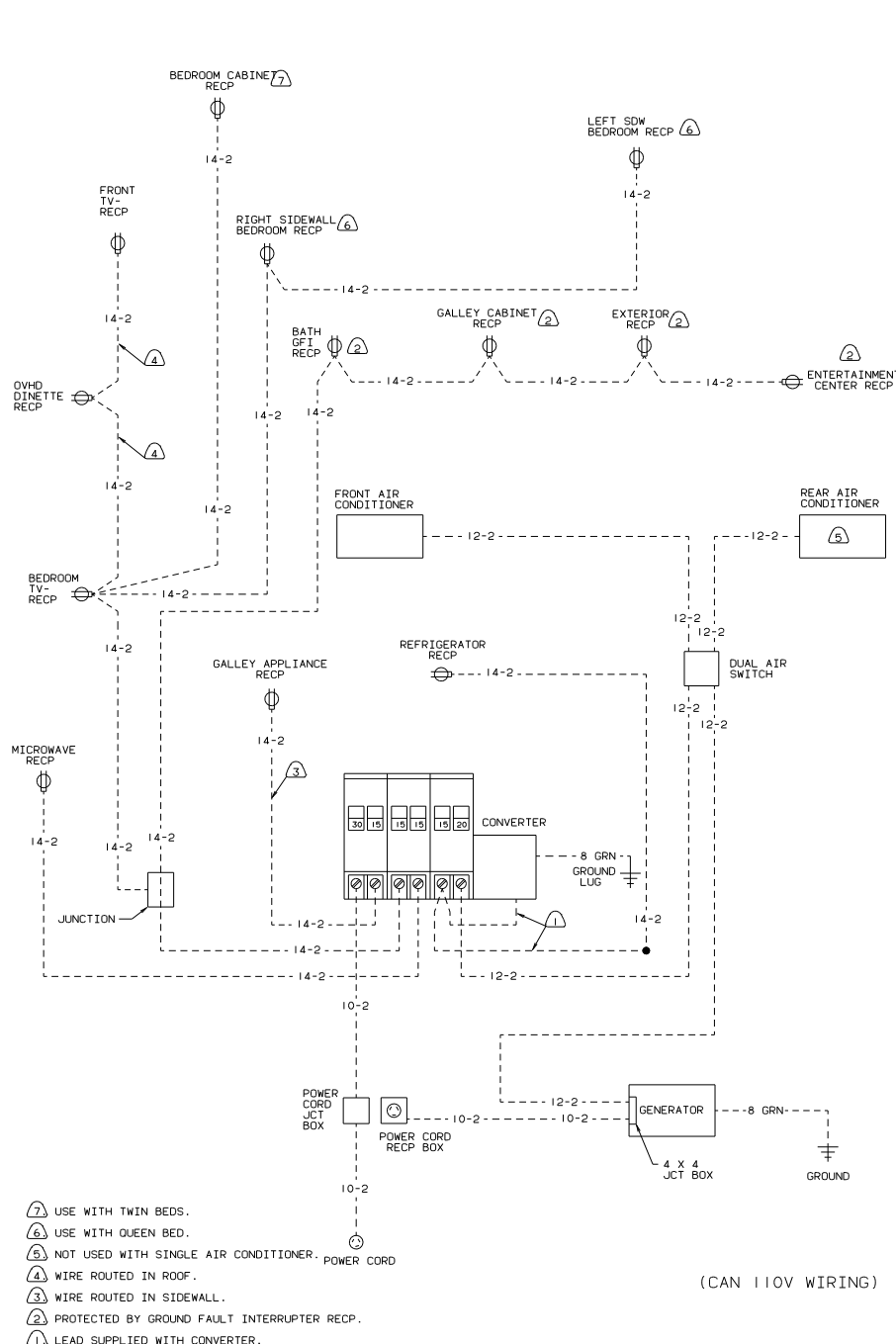
SHEET 1 OF 4

111048



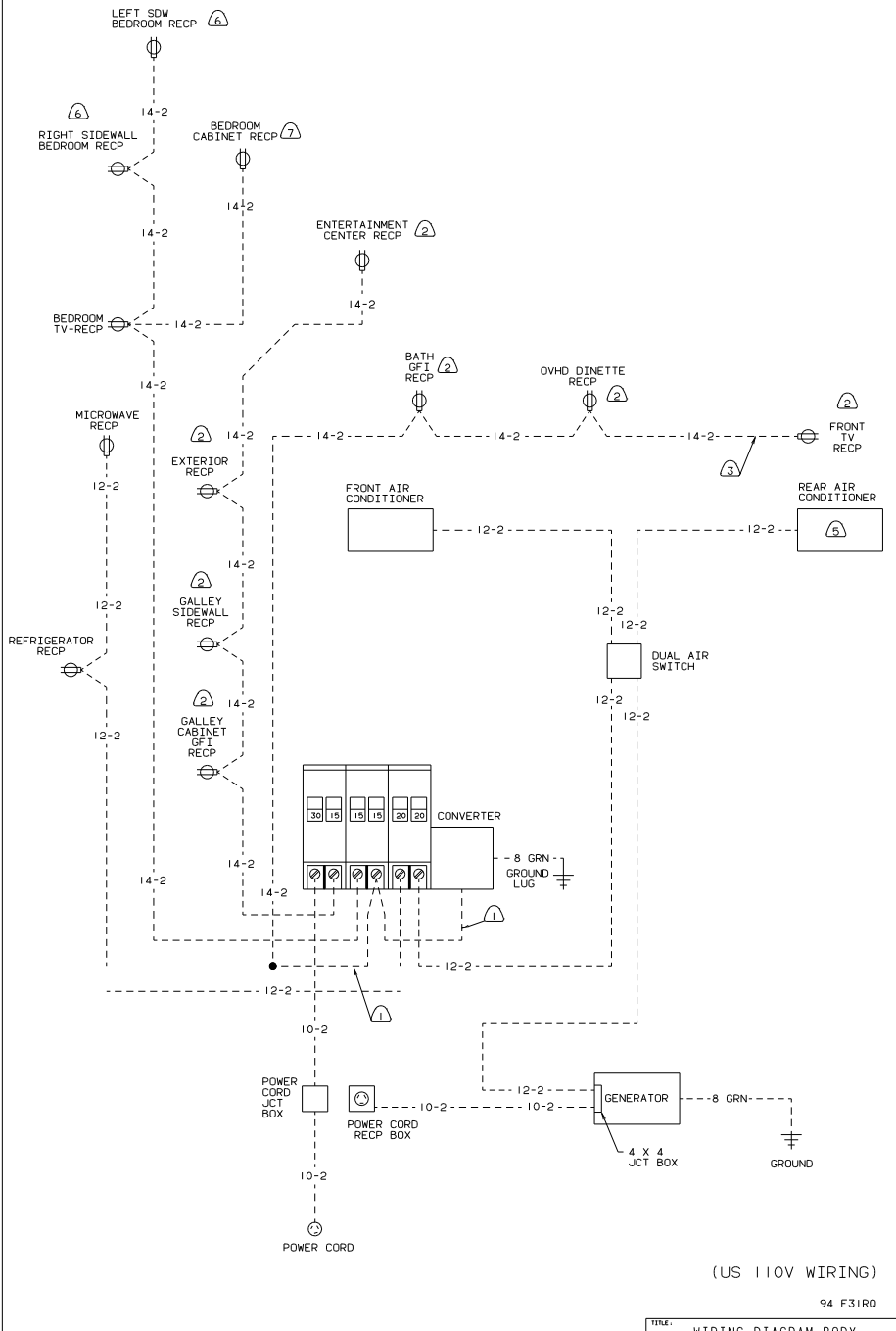
WIRING DIAGRAM-LEFT (WIRE ASM 103910)





- ⑦ USE WITH TWIN BEDS.
- ⑥ USE WITH QUEEN BED.
- ⑤ NOT USED WITH SINGLE AIR CONDITIONER.
- ④ WIRE ROUTED IN ROOF.
- ③ WIRE ROUTED IN SIDEWALL.
- ② PROTECTED BY GROUND FAULT INTERRUPTER RECP.
- ① LEAD SUPPLIED WITH CONVERTER.

(CAN 110V WIRING)



(US 110V WIRING)

94 F31RO

TITLE: WIRING DIAGRAM-BODY	
30 NET SCALE Drawing	1/16" = 1'
SHEET 4 OF 4	111048