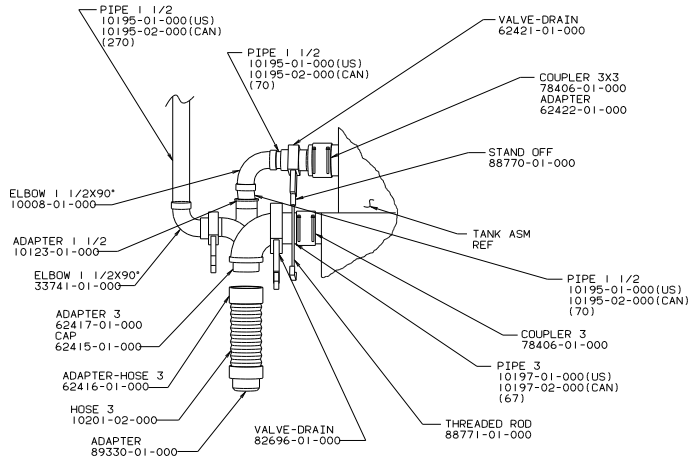
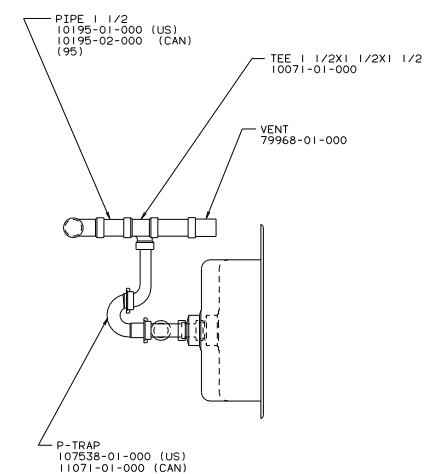


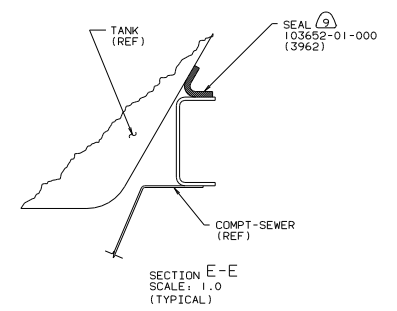
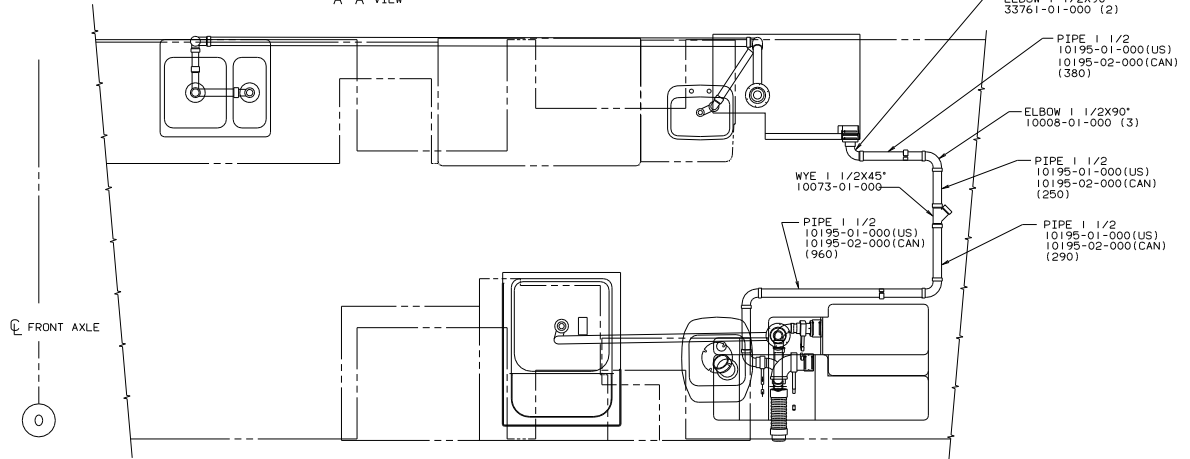
WINNACCO		92 W/1CP37R0
DATE	UNSPECIFIED TOLERANCES ARE:	MATERIAL
CHG	WHOLE DIM (IN)	
REV	FRACTIONAL DIM (IN)	
DATE	DECIMAL DIM (IN)	
CHG	MIXED DIM (IN)	
	THIRD ANGLE PROJECTION	
LAND	TITLE: DRAINAGE SYSTEM INSTL	
NO	DATE: NONE	
	SCALE: NONE	
	ALL DIMENSIONS ARE IN MILLIMETERS	
	SHEET 1 OF 2	
	160692	



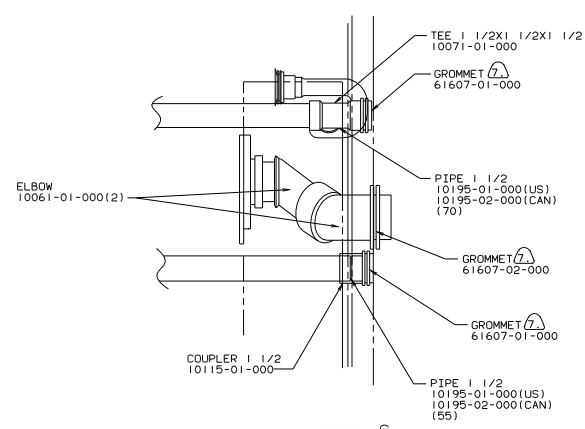
A-A VIEW



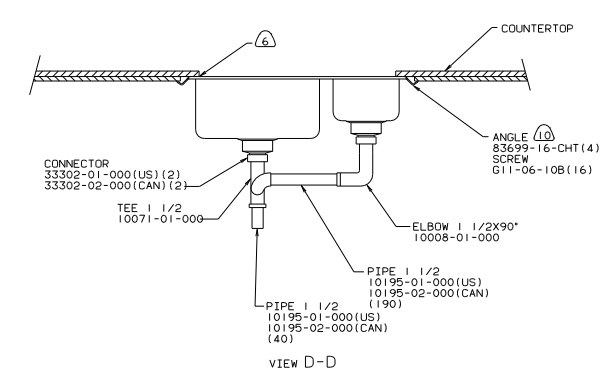
VIEW B-B



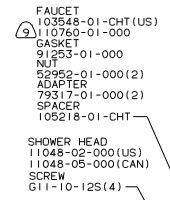
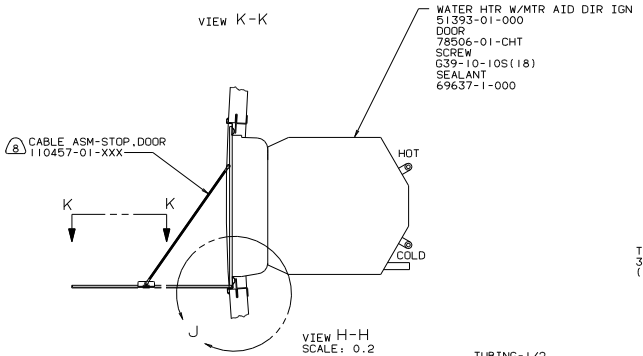
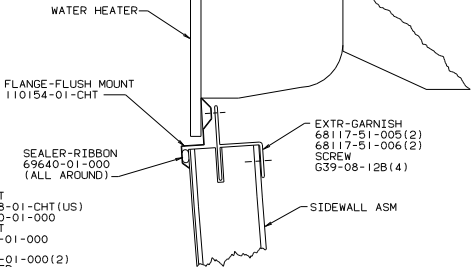
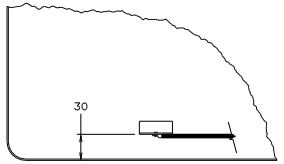
SECTION E-E
SCALE: 1.0
(TYPICAL)



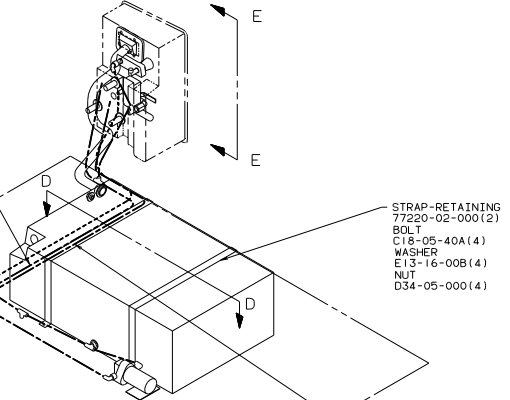
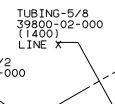
DETAIL C



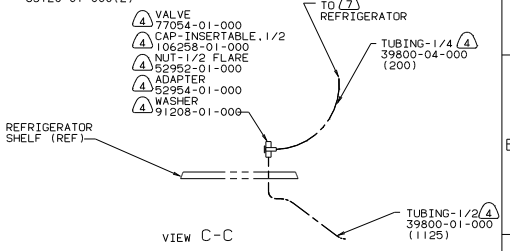
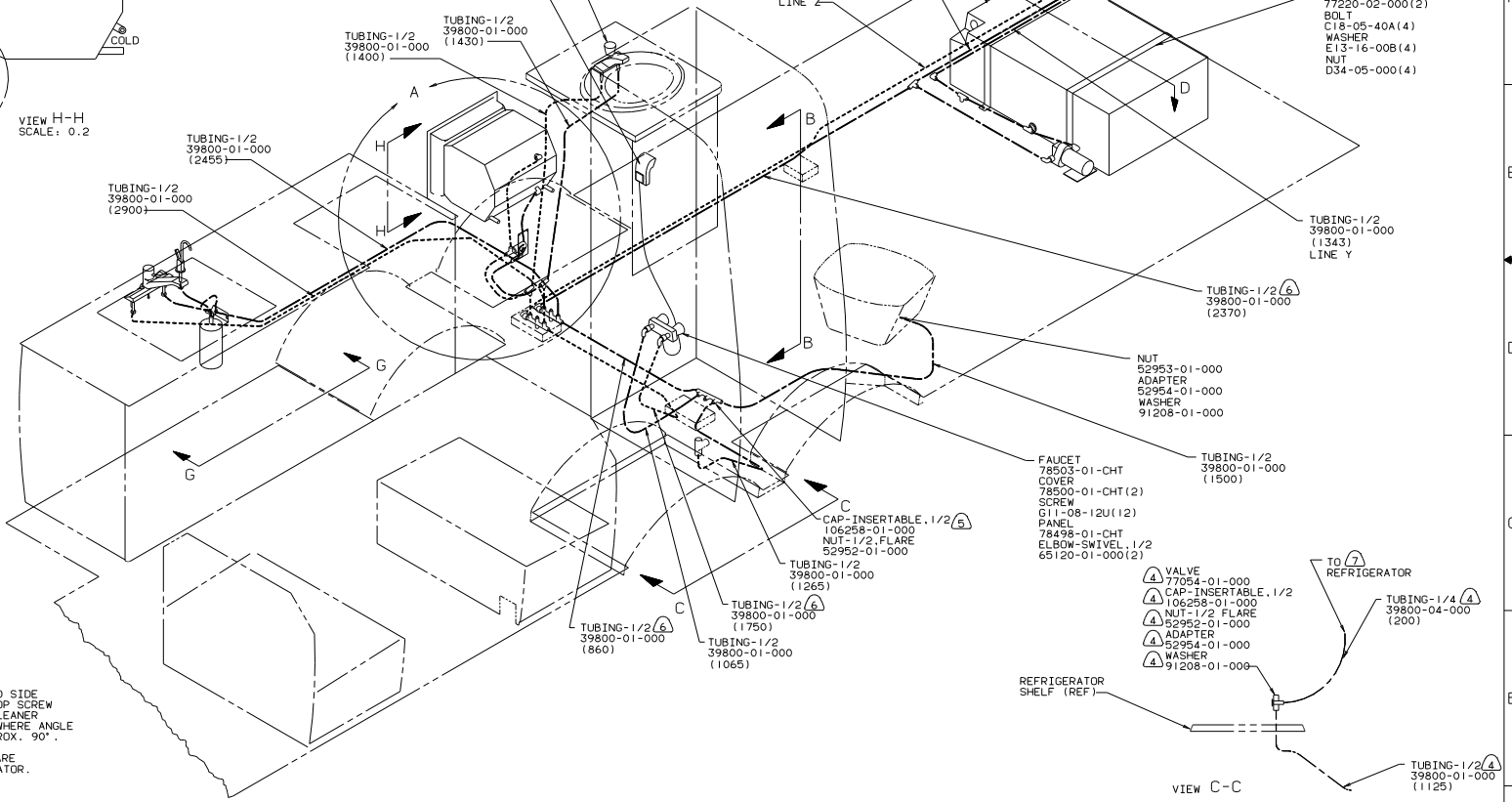
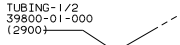
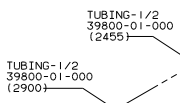
VIEW D-D



DETAIL J



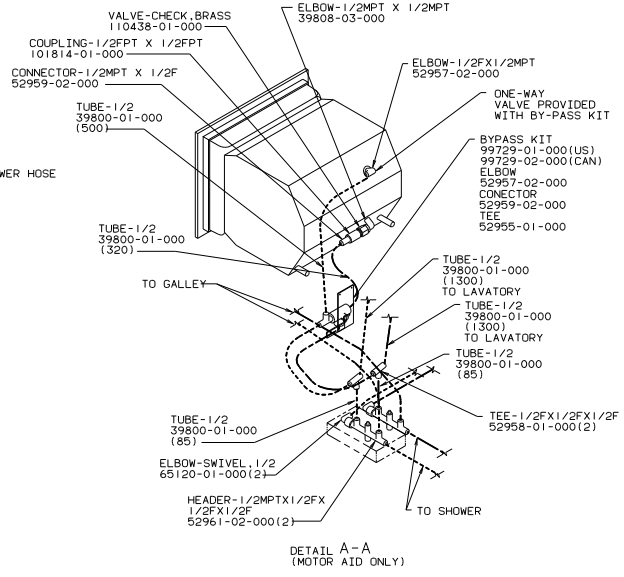
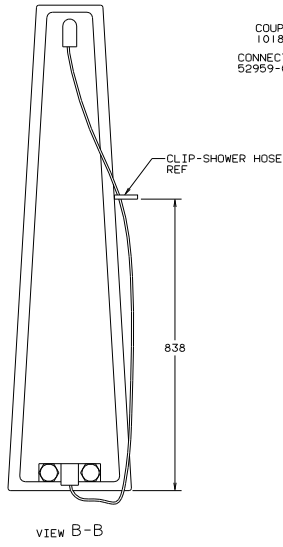
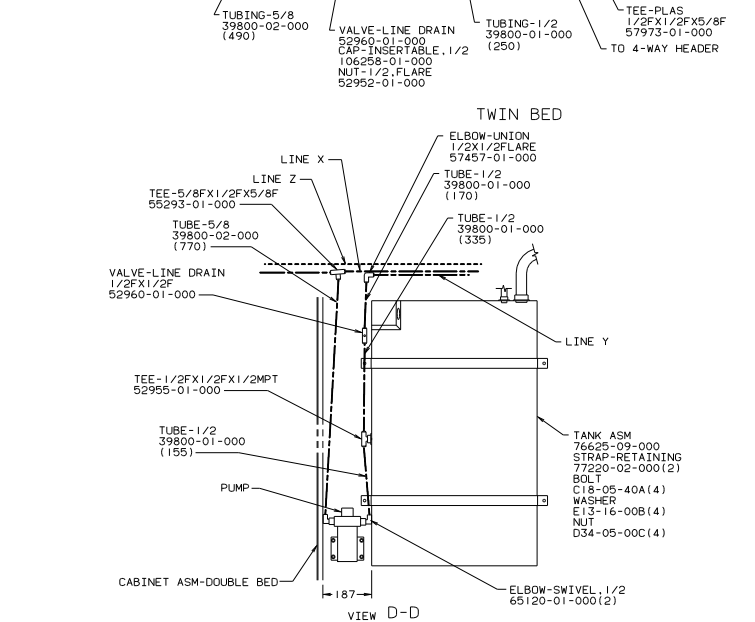
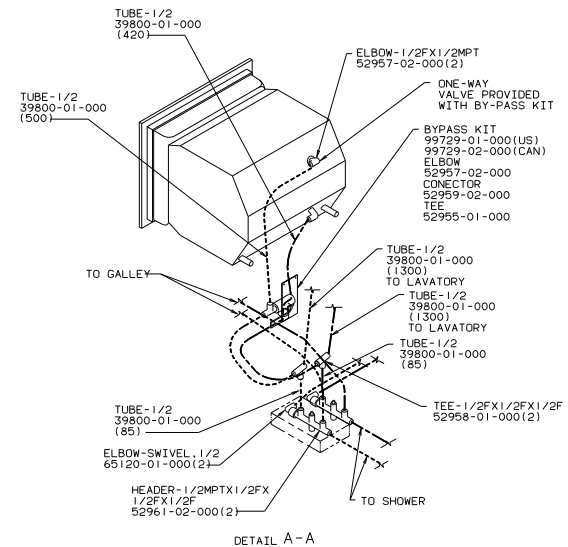
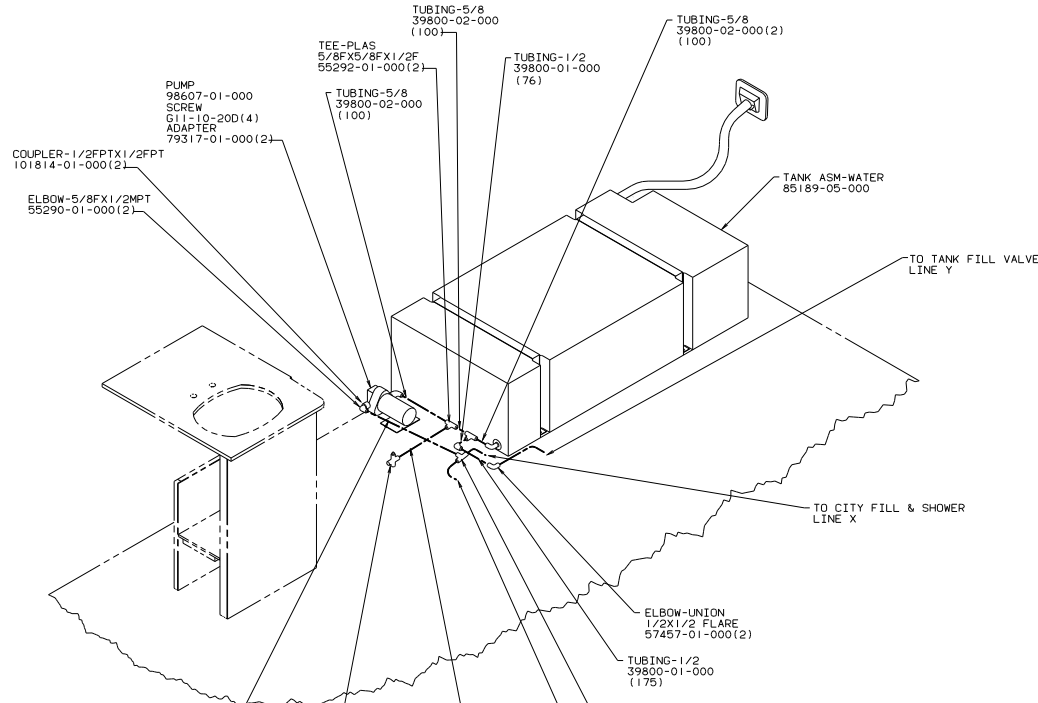
VIEW H-H SCALE: 0.2

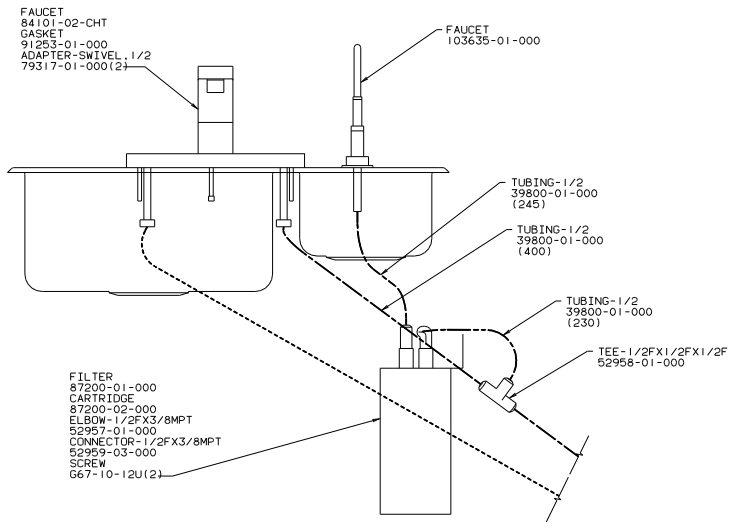


- ④ USE WITH ONYX.
 - ③ CABLE TO BE INSTALLED ON FORWARD SIDE OF DOOR USING THE SECOND FROM TOP SCREW TO FASTEN UPPER TERMINAL. USE CLEANER 87211-01-000 ON INSIDE OF DOOR WHERE ANGLE IS MOUNTED. DOOR IS TO OPEN APPROX. 90°.
 - ⑦ UNION CONNECTOR, SLEEVE, & NUT ARE SUPPLIED WITH ICEMAKER REFRIGERATOR.
 - ⑥ TUBING ROUTED IN FLOOR.
 - ⑤ USE WITHOUT ICEMAKER IN REFRIGERATOR.
 - ④ USE WITH ICEMAKER IN REFRIGERATOR ONLY.
3. ALL TUBING TO BE SECURED AT 1200 INTERVALS MAX. WITH CLAMP 10495-01-000 AND SCREW G67-10-12B.
 2. TUBING TO BE INSTALLED WITH SUFFICIENT SLOPE TO PROVIDE DRAINAGE TO NEAREST VALVE.
 1. PLASTIC FITTINGS TO BE SEALED WITH SEALANT TAPE 9201-01-000.

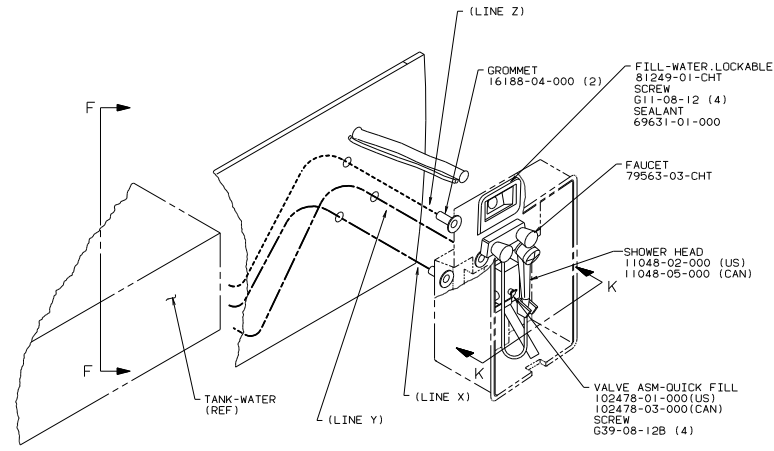
LEGEND
 - - - - - HOT LINES
 - - - - - COLD LINES

WINNAGO 92 P37RO	
DATE	UNSPECIFIED TOLERANCES ARE: MATERIAL
CHRP	ANGLE DIM (IN) ± .1
FIN	ONE-PLATE (IN) ± .5
FIN	TWO-PLATE (IN) ± .001
FIN	ANGLE
CDR	INDIC. ANGLE PROJECTION
LAINT	TITLE: WATER SYSTEM INSTL
SCALE: NONE	DO NOT SCALE DRAWING
ALL DIMENSIONS ARE IN MILLIMETERS	SHEET 1 OF 3

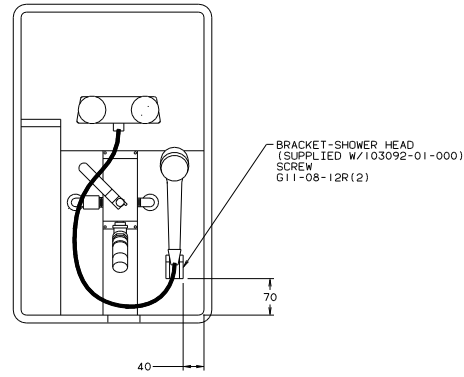




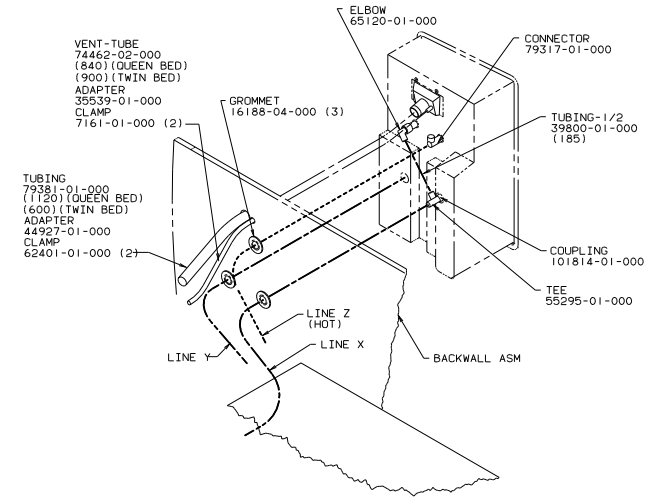
VIEW G-G



VIEW E-E



VIEW K-K



VIEW F-F