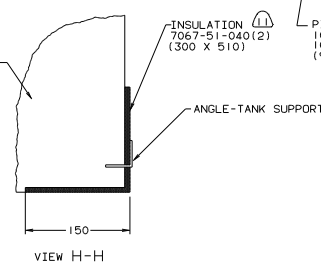
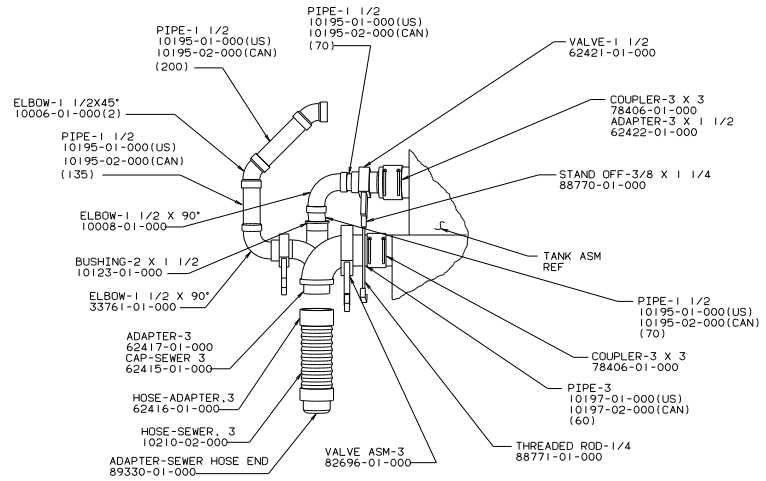


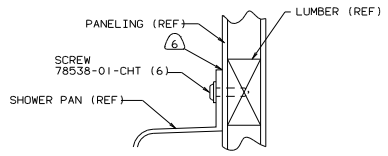
- 1. INSULATION TO EXTEND FULL DEPTH OF COMPARTMENTS. SLIT INSULATION TO FIT AROUND TANK SUPPORT ANGLES.
- 2. LOCATE CLAMP ON GALLEY CABINET FOR PROPER SLOPE.
- 3. SECURE VENT TUBES TO FLOOR.
- 4. VENT PIPE MUST PROJECT 51MM MIN TO 64MM MAX ABOVE ROOF FOR PROPER FIT AND FUNCTION.
- 5. SEE DWG 61607-01-000 FOR INSTL OF GROMMET.
- 6. SEAL ALL AROUND WITH SILICONE 78474-01-CHT.
- 7. FOR CANADIAN UNITS EACH HOLDING TANK SHALL HAVE A CSA APPROVAL STAMPED NEAR THE IAPMO APPROVAL.
- 8. ALL EXTERIOR OPENINGS AROUND PIPE TO BE SEALED WITH 69637-01-000.
- 9. ALL PIPE AND FITTINGS TO BE ASSEMBLED WITH SOLVENT 4020-01-000.
- 10. SLOPE OF TRAP MUST BE 6 PER 300 MINIMUM.
- 11. SLOPE OF HORIZONTAL PIPING TO BE 6 PER 300 MINIMUM.



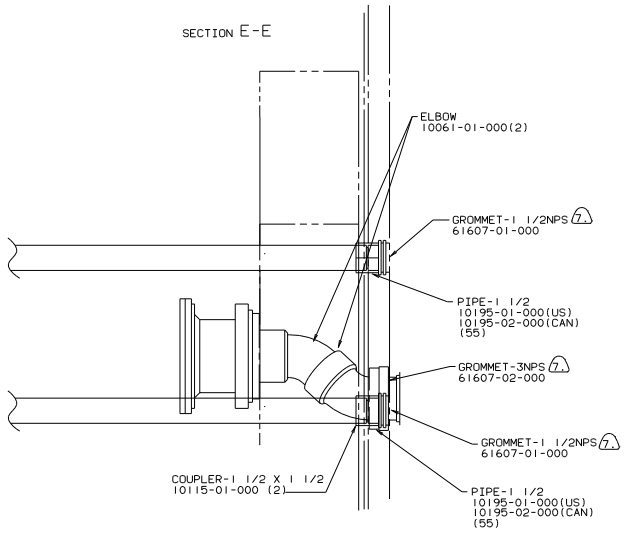
WINNAGO 92 W/1P33R0	
DATE	UNSPECIFIED TOLERANCES ARE:
CDWG	FRAC DEC (1:1) ± .1
FILE	ONE-PLACE (1:20) ± .001
REV	ANGLE
CDWG	THIRD ANGLE PROJECTION
LAYOUT P33R02 TITLE: DRAINAGE SYSTEM INSTL DIA # SCALE: NONE DO NOT SCALE DIMENSIONS ALL DIMENSIONS ARE IN MILLIMETERS SHEET 1 OF 2 DWG NO: 105813 REF: 102138	



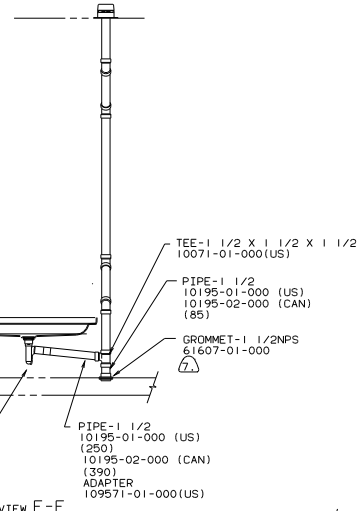
DETAIL A



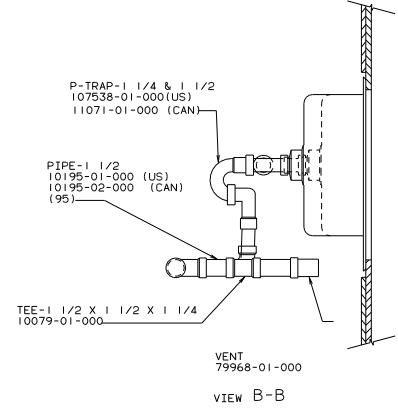
SECTION E-E



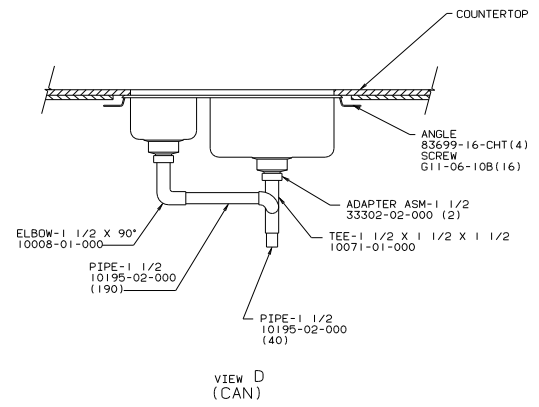
DETAIL C



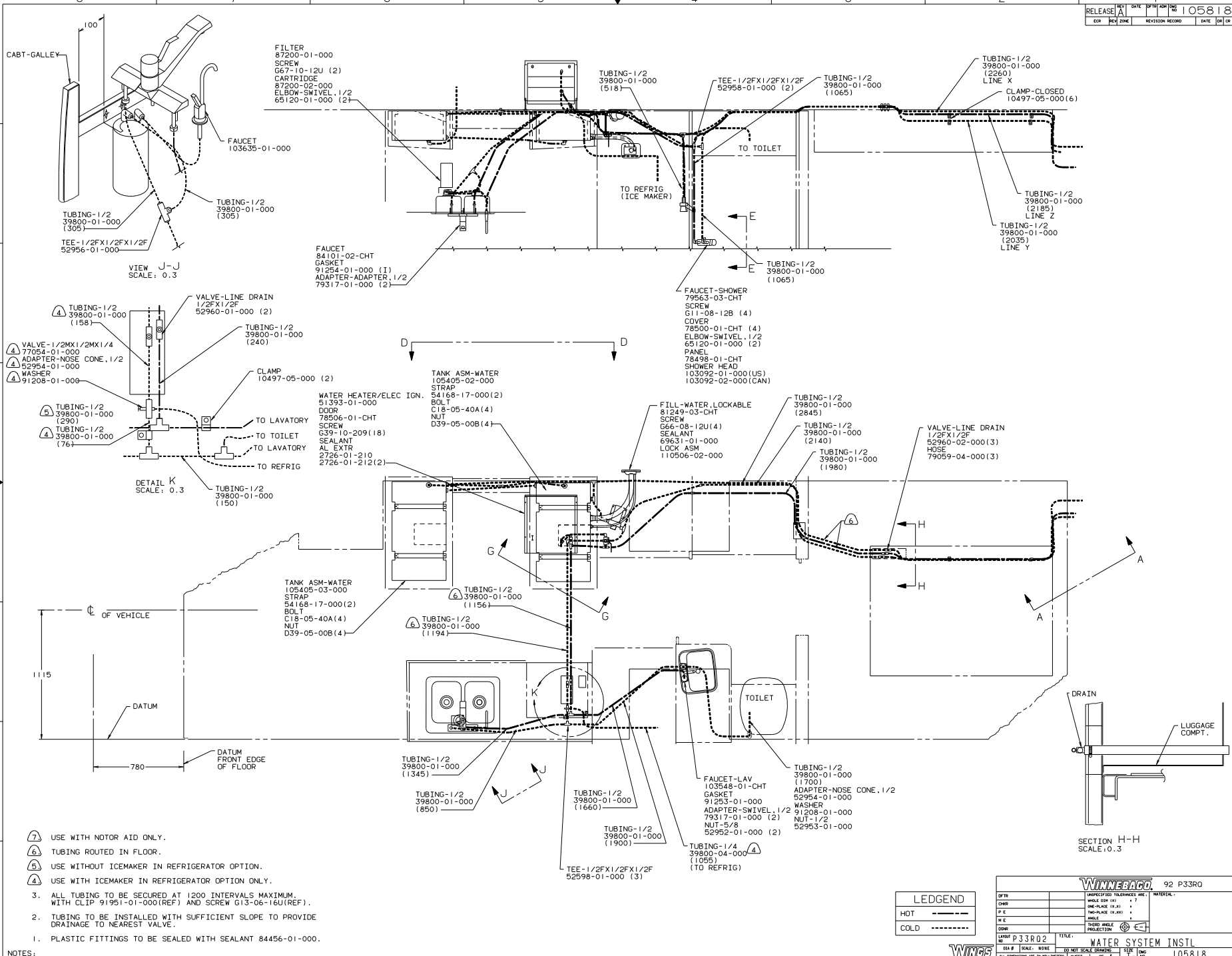
VIEW F-F

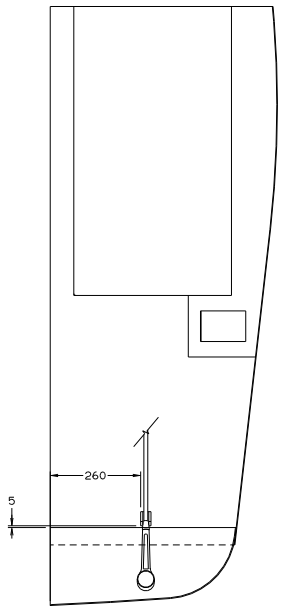


VIEW B-B

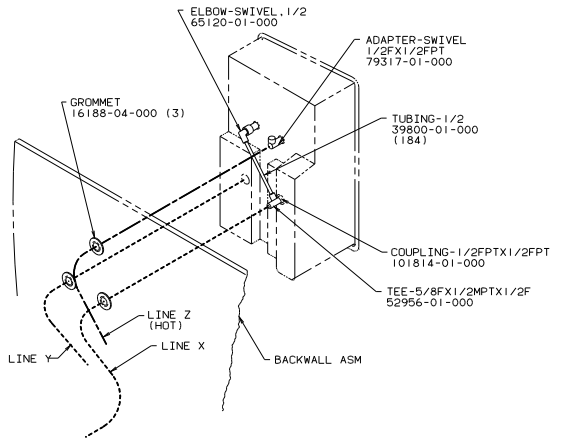


VIEW D (CAN)

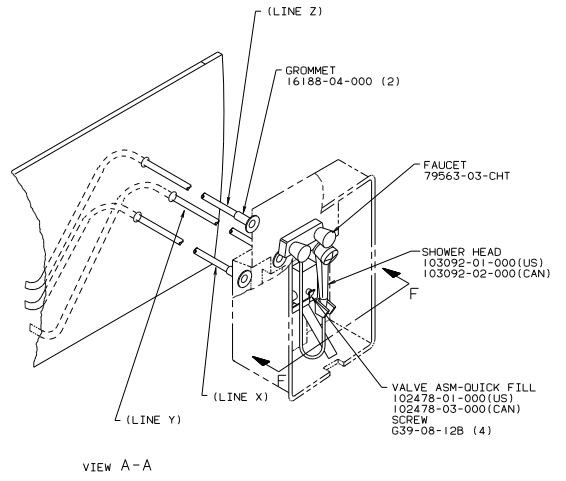




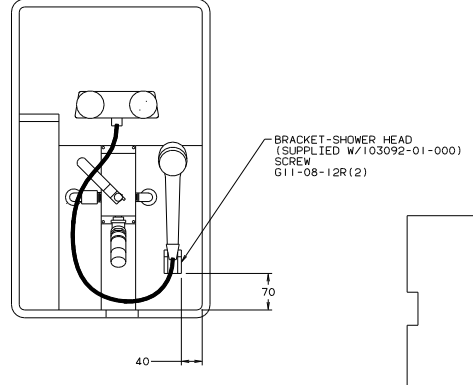
VIEW E-E



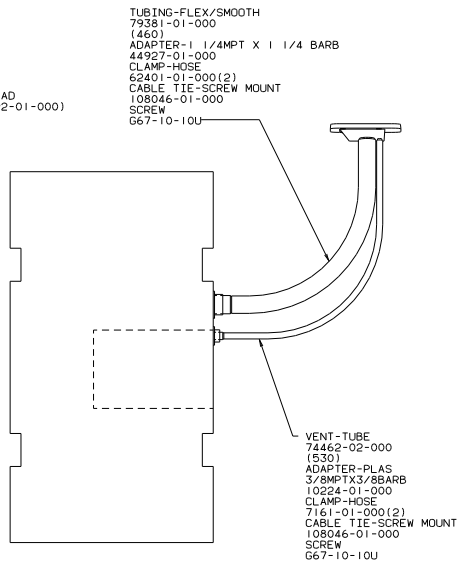
VIEW B-B



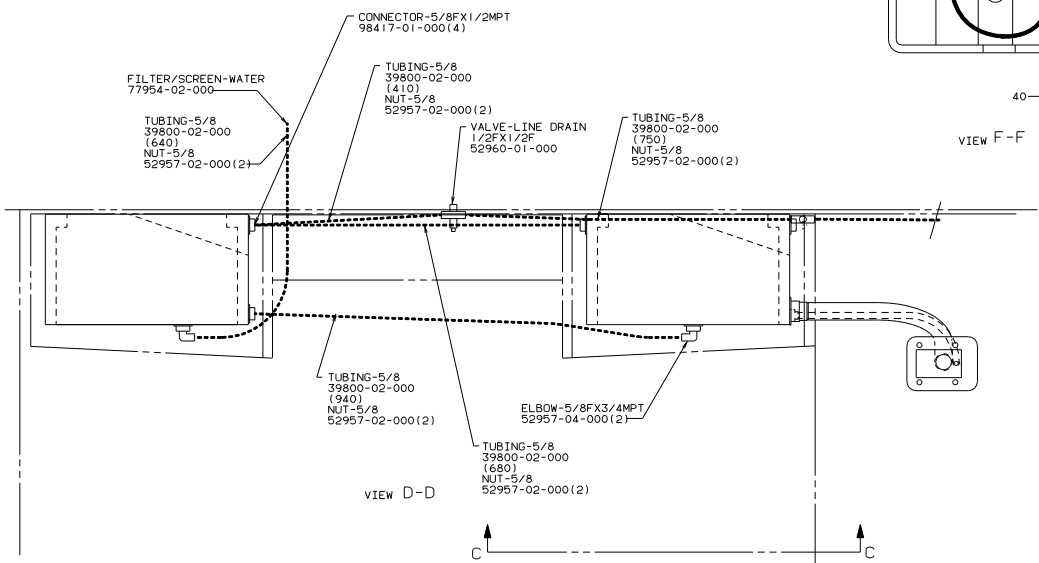
VIEW A-A



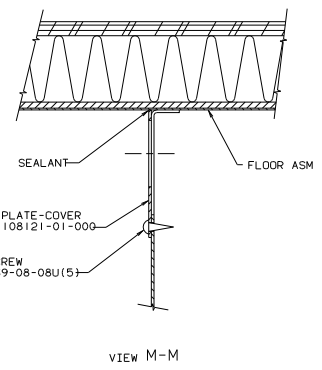
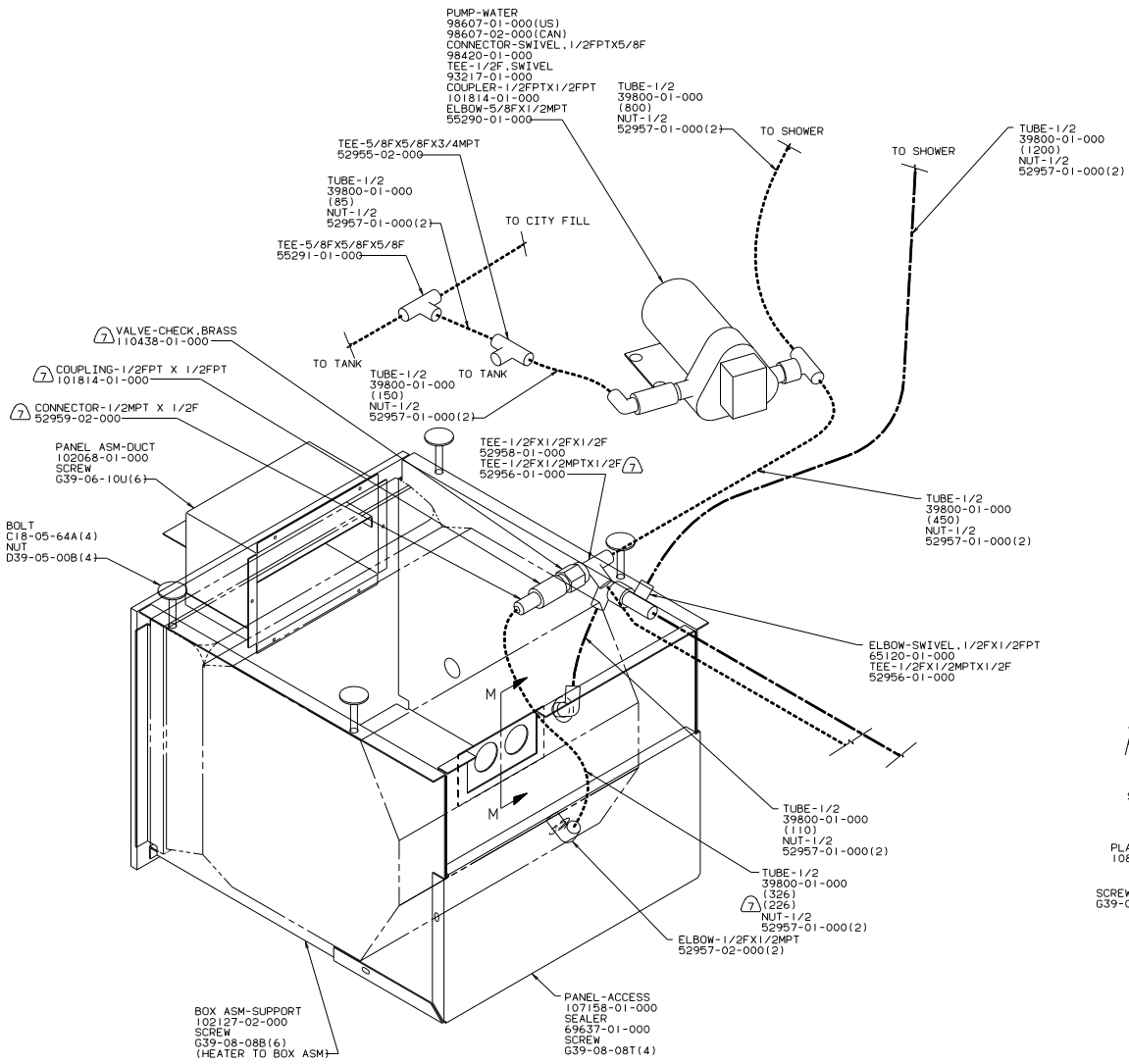
VIEW F-F



VIEW C-C



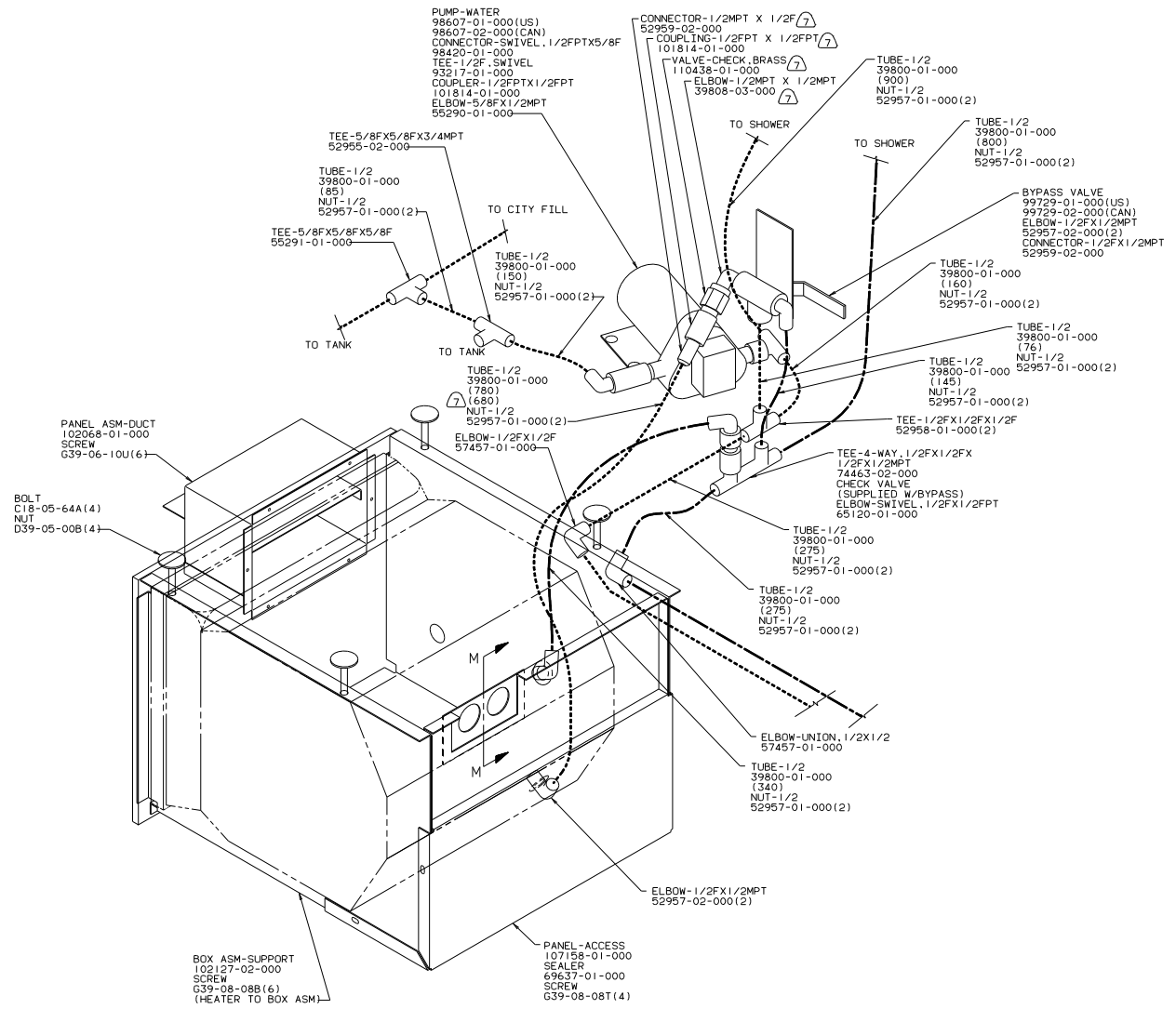
VIEW D-D



VIEW G-G

W/O WATER HEATER BYPASS OPTION
92 P33RQ

TITLE		WATER SYSTEM INSTL	
DO NOT SCALE DRAWING	1/2" = 1'-0"	105818	
SHEET 3 of 4	1 of 2		



VIEW G-G

W/ WATER HEATER BYPASS OPTION
92 P33R0

TITLE: WATER SYSTEM INSTL	
DO NOT SCALE DIMENSIONS	105818