

CONTINUOUS WASTE 1-1/4
11091-02-000(US)
11091-03-000(CAN)

ELBOW 1-1/4X1-1/2X90
34250-01-000

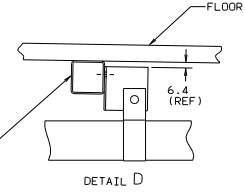
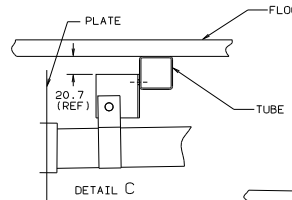
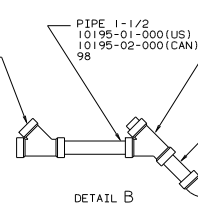
PIPE 1-1/2
10195-01-000(US)
10195-02-000(CAN)
100
ADAPTER
109571-01-000(US)

ELBOW 1-1/2X1-1/2X90
10008-01-000

PIPE 1-1/2
10195-01-000(US)
10195-02-000(CAN)
215

BRACKET (REF)
93230-01-000(2)
HANGER (REF)
56134-02-000(2)

PIPE 1-1/2
10195-01-000(US)
10195-02-000(CAN)
1180



PIPE 1-1/2
10195-01-000(US)
10195-02-000(CAN)
380 (US)
430 (CAN)
ADAPTER
109571-01-000 (US)

BLOCK
942-D0-152
STRAP
8406-01-000
SCREW
G67-10-12B(2)

PIPE 3"
10197-01-000(US)
10197-02-000(CAN)
115

PIPE 1-1/2
10195-01-000(US)
10195-02-000(CAN)
70
COUPLER-RUBBER, 1.5 X 1.5
89355-01-000

ELBOW 1/4X1-1/2X90
33761-01-000

VENT (7)
89069-01-CHT
SEALER
69640-03-000
SCREW
G67-10-12G(12)

PIPE 1-1/2
10195-01-000(US)
10195-02-000(CAN)
(1700)

PIPE 1-1/2
10195-01-000(US)
10195-02-000(CAN)
960

PIPE 1-1/2
10195-01-000(US)
10195-02-000(CAN)
905

COUPLER
10115-01-000

BRACKET
95061-01-000(4)
SCREW
10195-01-000(US)
10195-02-000(CAN)
567-10-12B(4)
CLAMP
62401-02-000(2)

PIPE 1 1/2
10195-01-000(US)
10195-02-000(CAN)
350

VENT
79968-01-000
COUPLER 1-1/2
10115-01-000

SHOWER INSTL-ENCLOSURE
101933-01-000
STRAINER
66729-01-000
SEALER
69640-01-000
WASHER
69735-01-000
TAILPIECE
11069-04-000
NUT
66436-01-000

PLATE
94346-02-000
STAPLE
5408-01-000

P-TRAP 1-1/2
107538-01-000(US)
11066-02-000(CAN)

PIPE 1-1/2
10195-01-000(US)
10195-02-000(CAN)
110

ELBOW 1-1/2X45
10006-01-000

TOILET
85321-05-CHT(SMALL BOWL)
85321-03-CHT(LARGE BOWL)
FLANGE
63641-01-000

ELBOW 1/8X3/4X45
10061-01-000
PIPE 3"
10197-01-000
(70)
ELBOW 1/8X3/4X45
10024-01-000
GROMMET
61607-02-000

TANK ASM (10)
101786-08-000

TANK ASM (10)
101786-08-000

ELBOW 1-1/4X1-1/2X90
10008-01-000

VALVE ASM
70916-01-000
ADAPTER HOSE
62416-01-000
HOSE
10201-01-000
ADAPTER
89330-01-000
CLAMP
62401-09-000 (2)

PLATE-COVER
94346-02-000
STAPLE
5408-01-000

PIPE 1-1/4
10194-01-000(US)
10194-02-000(CAN)
150

TEE 1-1/2X1-1/4X1-1/2
10072-01-000

ELBOW 1-1/2X45
10006-01-000

PIPE 3"
10197-01-000(US)
10197-02-000(CAN)
75

NIPPLE-PLAS
102024-01-000

PIPE 1-1/2
10195-01-000(US)
10195-02-000(CAN)
55(2)

TEE 1-1/2
10071-01-000

PIPE 1-1/2
10195-01-000(US)
10195-02-000(CAN)
35

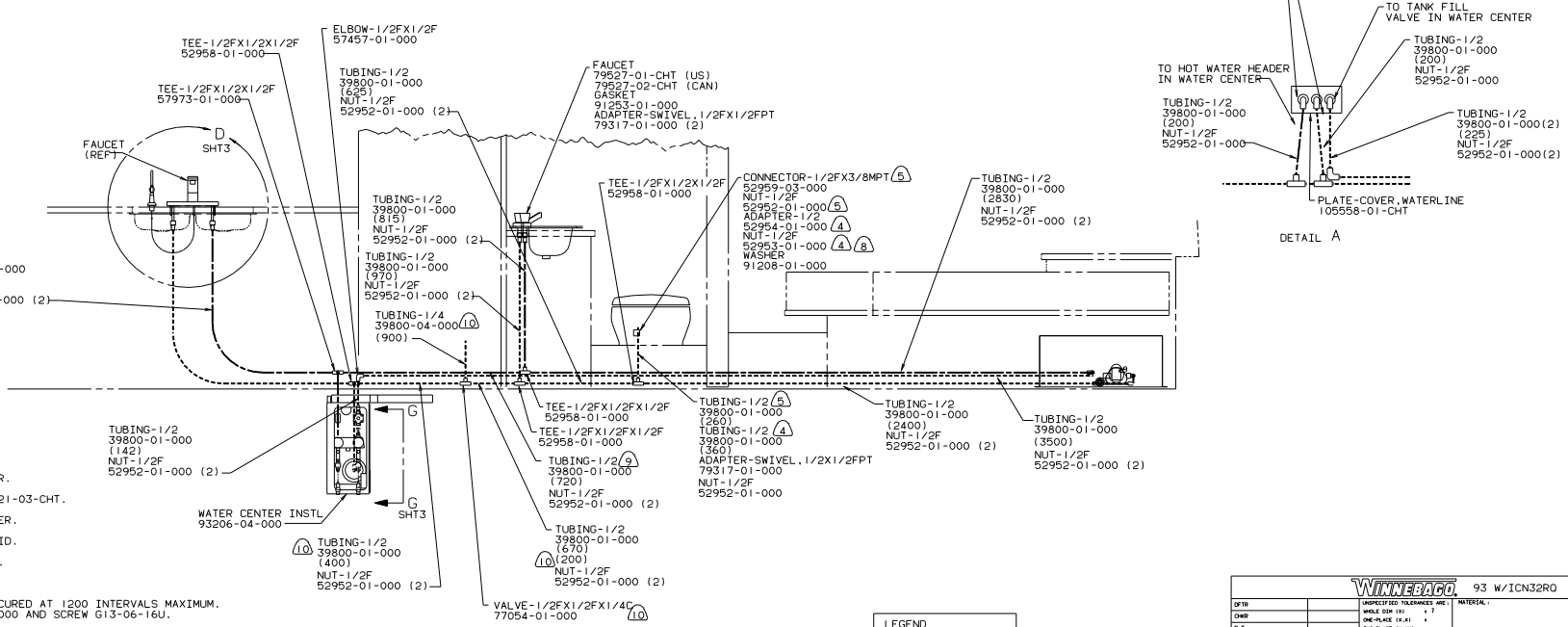
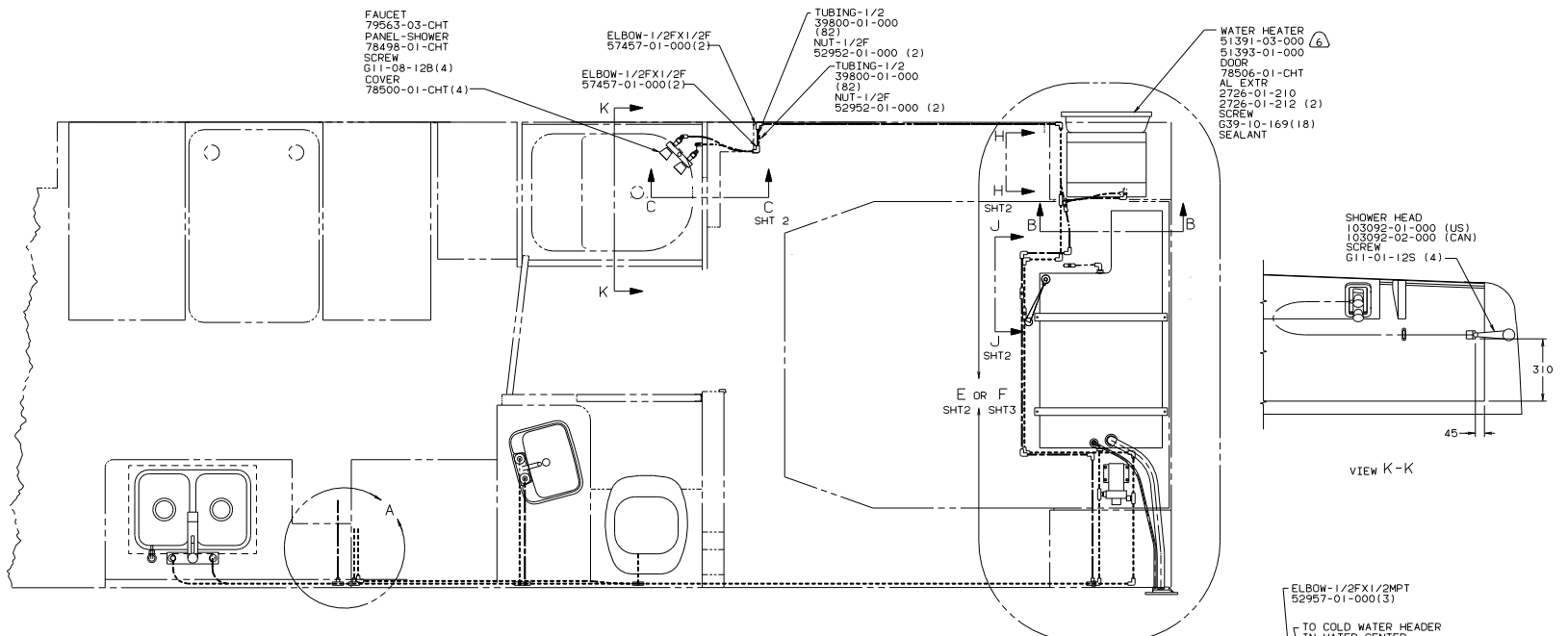
COUPLER 1-1/2
10115-01-000(2)
PIPE 1-1/2
10195-01-000(US)
10195-02-000(CAN)
55

1. ALL EXTERIOR OPENINGS AROUND PIPE TO BE SEALED.
2. SEE DRAWING 93128-02-000 FOR TANK INSTL.
3. DIMENSION IS FROM CENTERLINE OF PIPE TO CENTERLINE OF FRONT AXLE.
4. SECURE VENT TUBES TO FLOOR.
5. VENT PIPE MUST PROJECT 51 MM MIN TO 64 MM MAX ABOVE ROOF FOR PROPER FIT AND FUNCTION.
6. SEE DWG 61607-01-000 FOR INSTL OF GROMMET.
7. SEAL ALL AROUND SHOWER WITH SILICON 78474-01-CHT.
8. FOR CANADIAN UNITS EACH HOLDING TANK SHALL HAVE A CSA APPROVAL STAMPED NEAR IAPMO APPROVAL.
9. ALL PIPE AND FITTING TO BE ASSEMBLED WITH SOLVENT 4020-01-000.
10. SLOPE OF TRAP MUST BE 6 PER 300 MINIMUM.
11. SLOPE OF HORIZONTAL PIPING TO BE 6 PER 300 MINIMUM.

WINNEBAGO 93 W/ICN32R0

DATE	UNAPPROVED TOLERANCES ARE MATERIAL.
DRWG	SCALE DIM IN 1:1
REV	DATE
REV	DATE
REV	DATE
REV	DATE

LARGE N32R03 TITLE: DRAINAGE SYSTEM INSTL
 DR # SCALE: NONE DO NOT SCALE DIMENSIONS. SHEET 1 OF 1
 ALL DIMENSIONS ARE IN MILLIMETRES REF: 104160 108073



- ⑩ USE WITH ICEMAKER.
 - ⑨ USE WITHOUT ICEMAKER.
 - ⑧ USE WITH TOILET 85321-03-CHT.
 - ⑦ USE WITH WATER FILTER.
 - ⑥ USE WITHOUT MOTOR AID.
 - ⑤ USE WITH AQUA MAGIC.
 - ④ USE WITH AQUA IV.
3. ALL TUBING TO BE SECURED AT 1200 INTERVALS MAXIMUM. WITH CLIP 91951-01-000 AND SCREW G13-06-16U.
 2. TUBING TO BE INSTALLED WITH SUFFICIENT SLOPE TO PROVIDE DRAINAGE TO NEAREST VALVE.
 1. PLASTIC FITTINGS TO BE SEALED WITH SEALANT 84456-01-000.

LEGEND

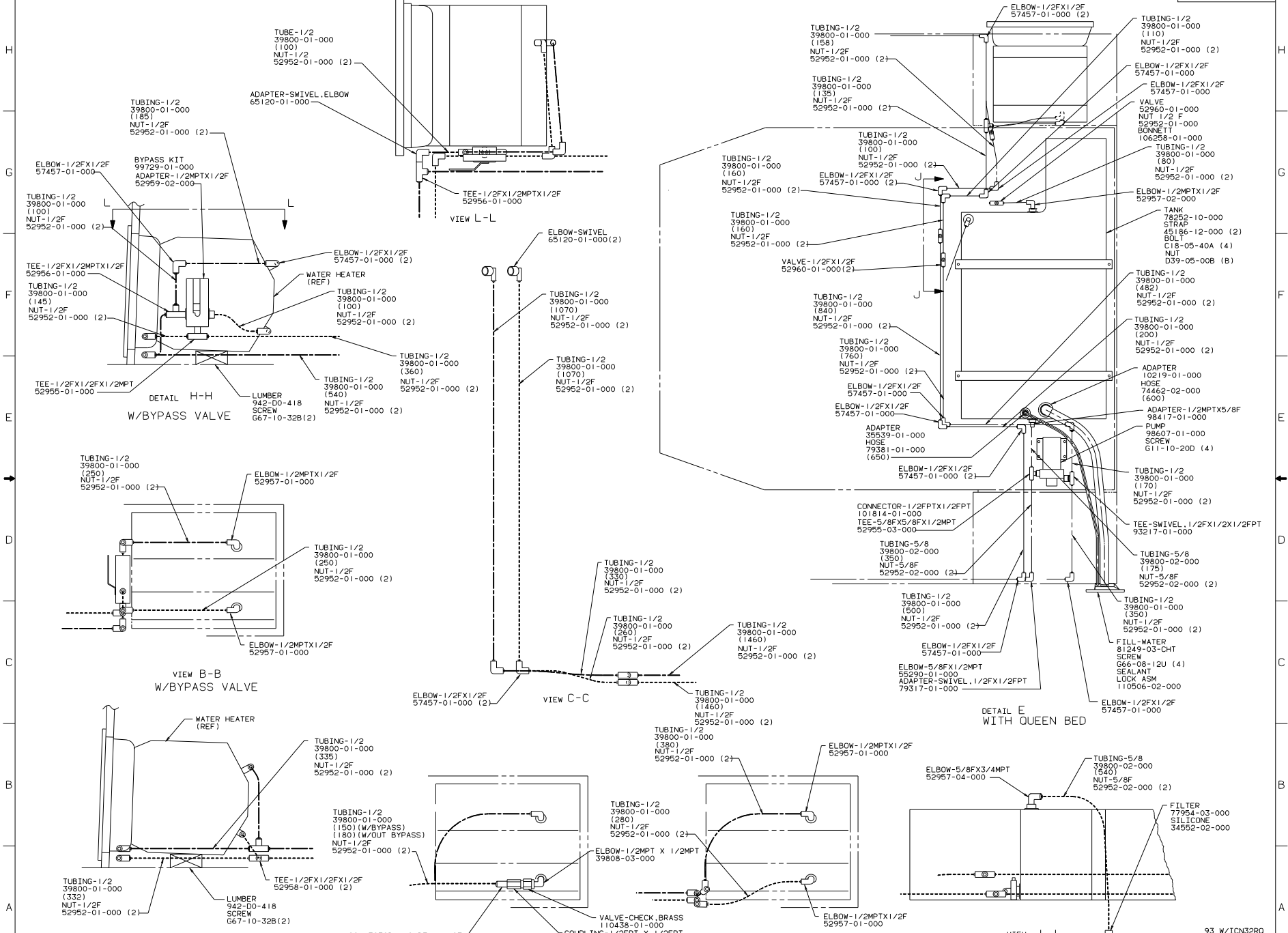
HOT	—————
COLD	-----

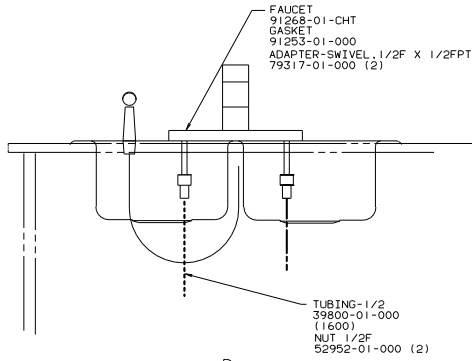
WINNEDAGO 93 W/1CN32R0

DATE	UNSPECIFIED TOLERANCES ARE:	MATERIAL
CHDR	WHOLE DIM (IN)	1:1
FPE	ONE-PLACE (IN.XI)	
FLE	TWO-PLACE (IN.XXX)	
DATE	ANGLE	
CDR	THIRD ANGLE PROJECTION	

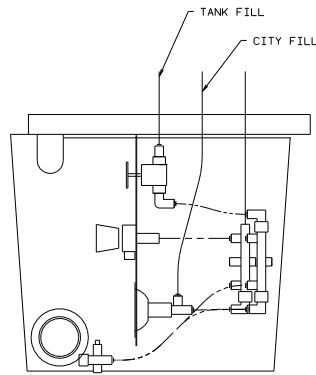
LANE# N32R01 TITLE: WATER SYSTEM INSTL
 DIA # SCALE: NONE 3D NET SCALE DRAWING SIZE: 11x17
 ALL DIMENSIONS ARE IN MILLIMETERS SHEET 1 OF 3

REF: 104680 108174

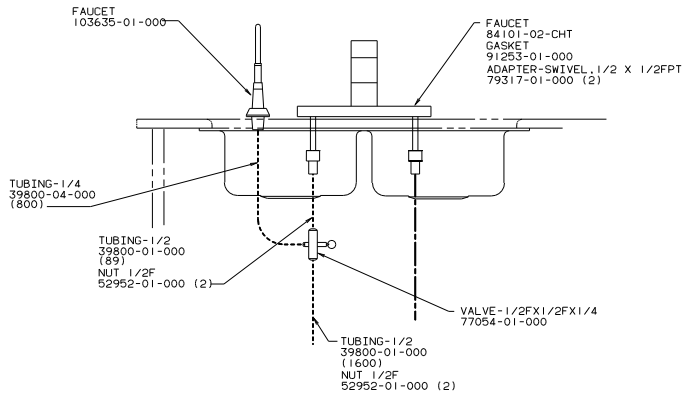




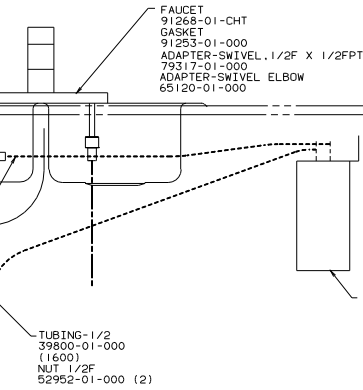
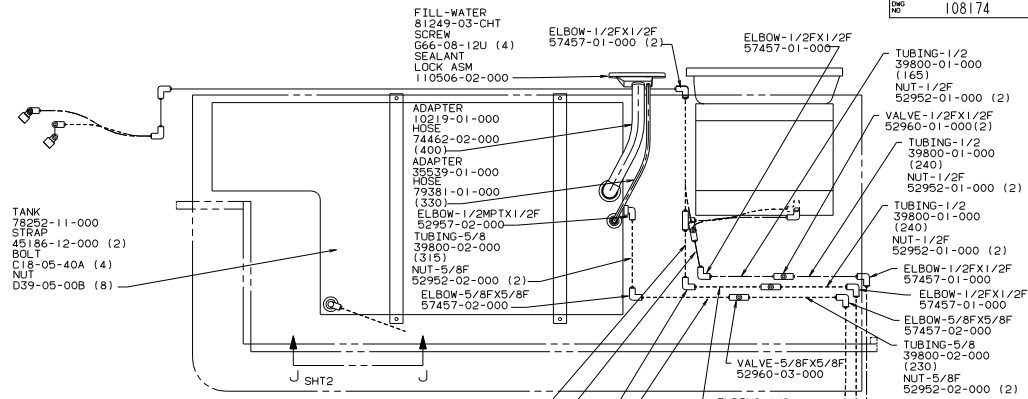
DETAIL D
SPRAYER W/OUT PURIFIER



VIEW G-G



DETAIL D
SPIGOT W/OUT PURIFIER



DETAIL D
SPIGOT W/PURIFIER