

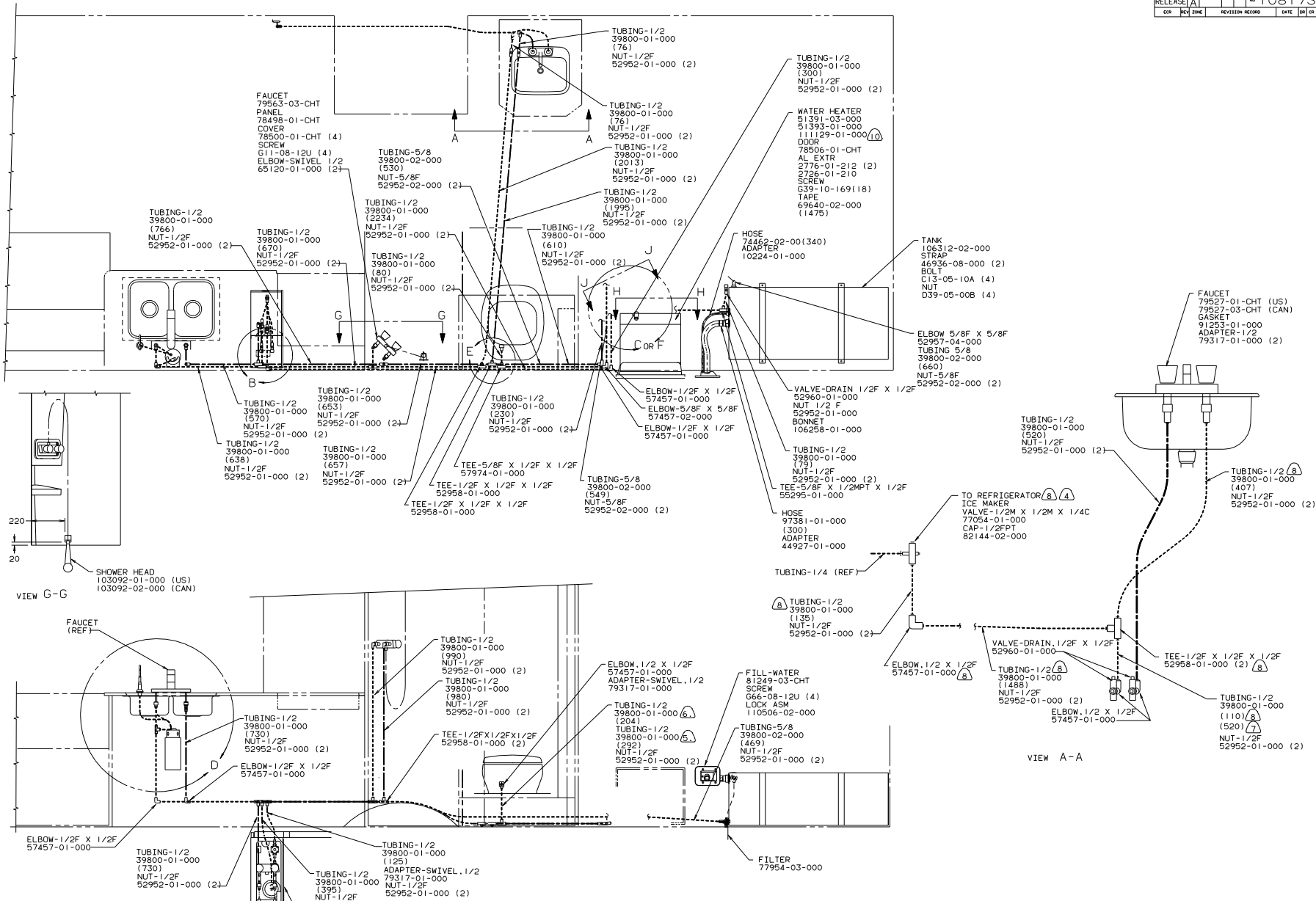
1. ALL EXTERIOR OPENINGS AROUND PIPE TO BE SEALED.
2. SEE DRAWING 93128-02-000 FOR TANK INSTALLATION.
3. LOCATE CLAMP ON GALLEY CABINET FOR PROPER SLOPE.
4. SECURE VENT TUBES TO FLOOR.
5. VENT PIPE MUST BE PROJECTED 51 TO 64 MAXIMUM ABOVE ROOF FOR PROPER FIT AND FUNCTION.
6. SEE DRAWING 61607-01-000 FOR INSTALLATION OF GROMMET.
7. SEAL ALL AROUND SHOWER WITH SILICONE 78474-01-CHT.
8. FOR CANADIAN UNITS EACH HOLDING TANK SHALL HAVE A CSA APPROVAL STAMPED NEAR IAPMO APPROVAL.
9. ALL PIPE AND FITTINGS TO BE ASSEMBLED WITH SOLVENT 4020-01-000.
10. SLOPE OF TRAP MUST BE 6 PER 300 MINIMUM.
11. SLOPE OF HORIZONTAL PIPING TO BE 6 PER 300 MINIMUM.

WINNAGO 93 W/1CN30RT

DATE	UNSPECIFIED TOLERANCES ARE:	MATERIAL
BY	FRAMES 1/16"	
CHKD	HOLES 1/32"	
DATE	FACE PLATE 1/32"	
BY	ANGLE	
CHKD	THRU HOLES	
DATE	PROJECTOR	

LANOIT NO. N31R3 TITLE: DRAINAGE SYSTEM INSTL
 DIA OF SCALE: NONE 300 NET SCALE DRAWING
 ALL DIMENSIONS ARE IN MILLIMETERS SHEET 1 OF 1

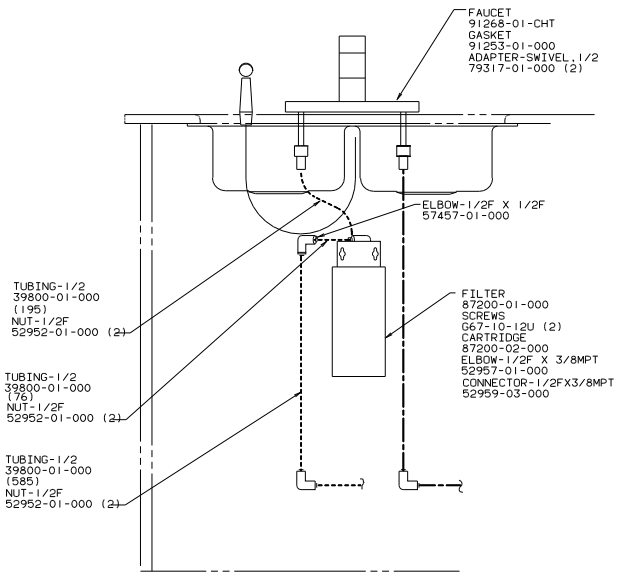
REF: 103326 108072



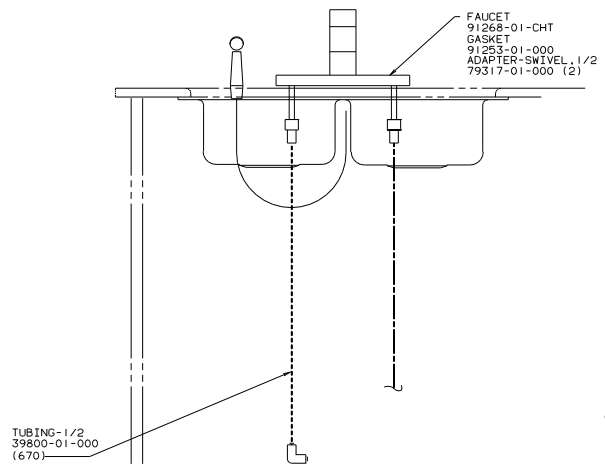
- Ⓐ USE WITH AQUA MAGIC.
- Ⓑ USE WITH AQUA IV.
- Ⓒ UNION CONNECTOR, SLEEVE, AND NUT ARE SUPPLIED WITH ICEMAKER IN REFRIGERATOR.
- 3. ALL TUBING TO BE SECURED AT 1200 INTERVALS MAX WITH CLIP 91951-01-000 AND SCREW G13-06-16U.
- 2. TUBING TO BE INSTALLED WITH SUFFICIENT SLOPE TO PROVIDE DRAINAGE TO NEAREST VALVE.
- 1. PLASTIC FITTINGS TO BE SEALED WITH SEALANT 84456-01-000.
- Ⓓ USE WITH AQUA MAGIC.
- Ⓔ PRESSURE VALVE MUST BE BETWEEN THE WATER HEATER AND CHECK VALVE OR BYPASS KIT.
- Ⓜ USE WITH MOTOR AID ONLY.
- Ⓝ USE WITH EUROPEAN EXPORT PACKAGE.
- Ⓔ LOCATE LUMBER TO SUPPORT WATER HEATER.
- Ⓖ USE WITH ICEMAKER IN REFRIGERATOR.
- Ⓟ USE WITHOUT ICEMAKER IN REFRIGERATOR.

LEGEND	
HOT	---
COLD	----

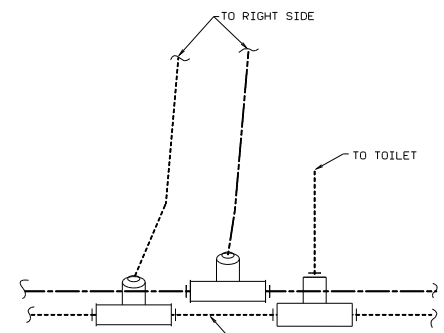
WINNAPCO		93 W1CN30RU
DATE	UNSPECIFIED TOLERANCES ARE:	MATERIAL
CHG	ANGLE DIM (R)	
REV	ONE PLACE (R, X)	
REV	TWO PLACE (R, X)	
REV	ANGLE	
REV	THIRD ANGLE PROJECTION	
CODE		
LANO# N31RU2	TITLE: WATER SYSTEM INSTL	
DATE 0-12	SCALE: 1:1	108173
ALL DIMENSIONS ARE IN MILLIMETERS	SHEET 1 OF 3	



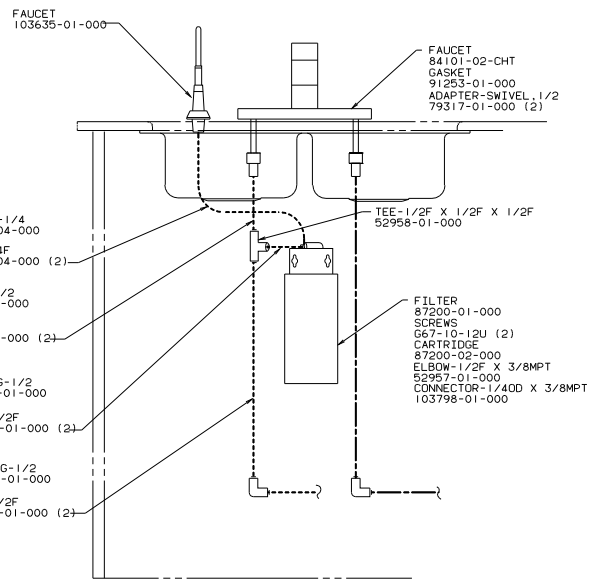
DETAIL D
SPRAYER W/PURIFIER



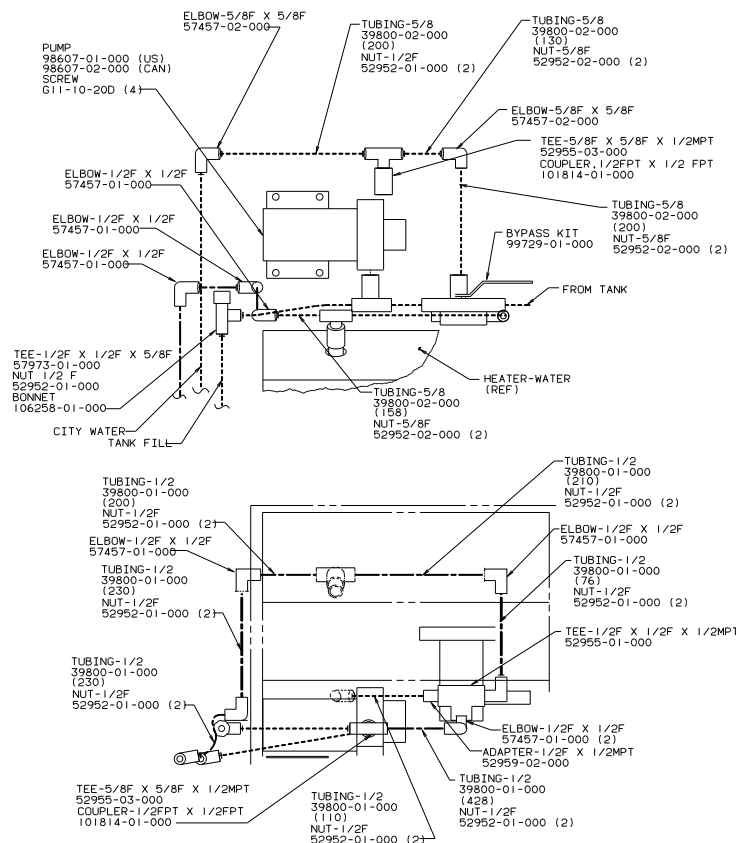
DETAIL D
SPRAYER W/OUT PURIFIER



DETAIL E



DETAIL D
SPIGOT W/PURIFIER



DETAIL C
WATER HEATER
WITH BYPASS

