

- TOILET
84738-01-CHT(AQUA IV)(I)
79665-01-CHT(AQUA WAG)(W)
85321-03-CHT(CHINA)
- FLANGE-4 X 3
24676-01-000(US) (11)
24676-02-000(CAN) (11)
- FLANGE-4 X 3
63641-01-000(US) (10)
- SCREW
87721-01-000(6) (CHINA)

- (11) USE WITHOUT CHINA.
(10) USE WITH CHINA.
(9) POSITION PLATE UNDER CARPET.
(8) SEE DWG 93128-02-000 FOR INSTL OF TANK.
(7) VENT PIPE MUST PROJECT 51MM MIN TO 64MM MAX ABOVE ROOF FOR PROPER FIT AND FUNCTION.
(6) SEE DWG 61607-01-000 FOR INSTL OF GROMMET.
- SEAL ALL AROUND SHOWER WITH SILICONE 78474-01-CHT.
 - FOR CANADIAN UNITS EACH HOLDING TANK SHALL HAVE A CSA APPROVAL STAMPED NEAR IAPMO APPROVAL.
 - ALL PIPE AND FITTINGS TO BE ASSEMBLED WITH SOLVENT 4020-01-000.
 - SLOPE OF TRAP MUST BE 6 PER 300 MINIMUM.
 - SLOPE OF HORIZONTAL PIPING TO BE 6 PER 300 MINIMUM.

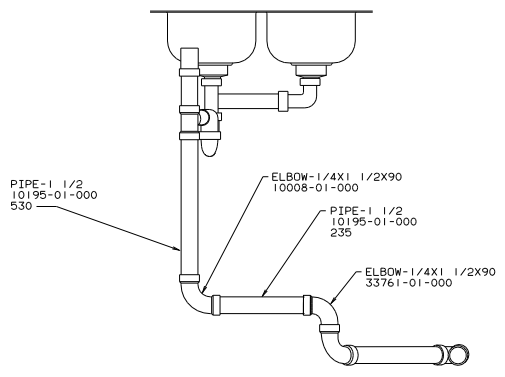
UNSPECIFIED TOLERANCES ARE:		MATERIAL:	
DRWT	WHOLE DIM IN (+ .5)	PIPE	10195-01-000(US)
P/E	ONE-PLACE PLATE IN (+ .5)	PLATE	10195-02-000(CAN)
W/E	ANGLE	ADAPTER	109571-01-000(US)
DRWD	THIRD-ANGLE PROJECTION	TANK ASM	101786-09-000

WINNBERGO 93 W/ICN28RT

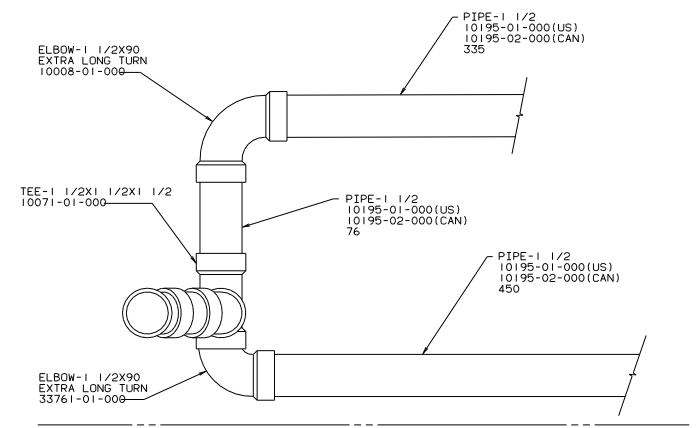
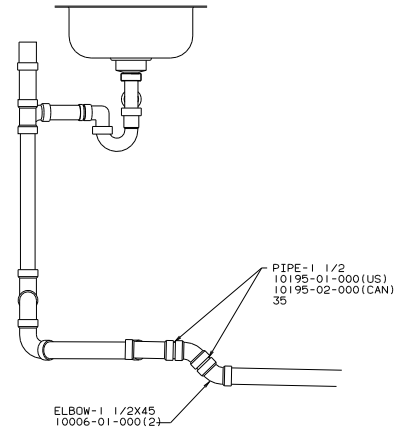
LAYER: N28RT3 TITLE: DRAINAGE SYSTEM INSTL

NO. 014 # SCALE: NONE (DO NOT SCALE DRAWING) SHEET 1 OF 2

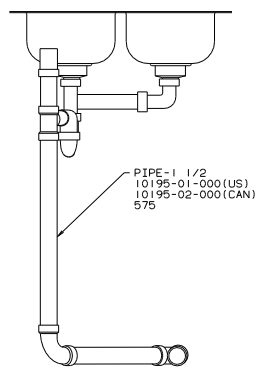
REF: 104863 108071



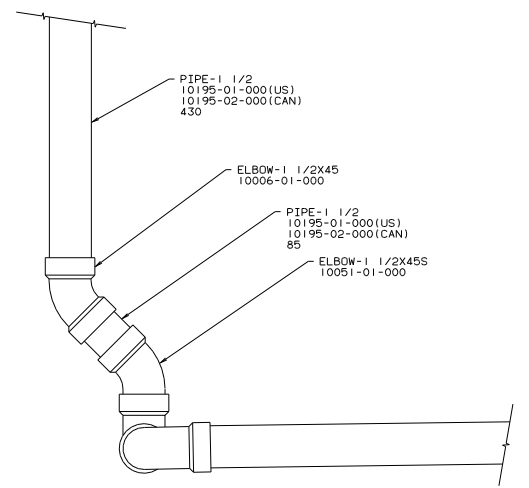
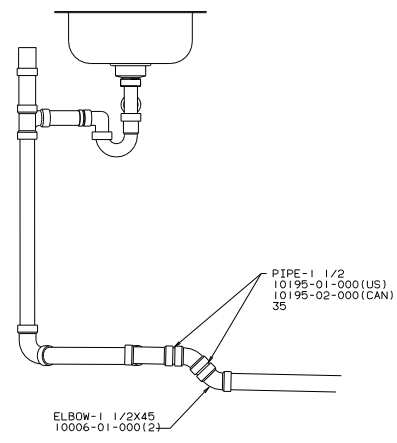
VIEW E-E
(JAPANESE ONLY)



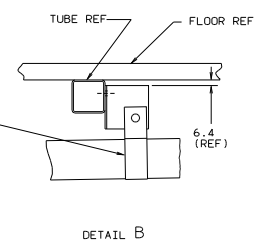
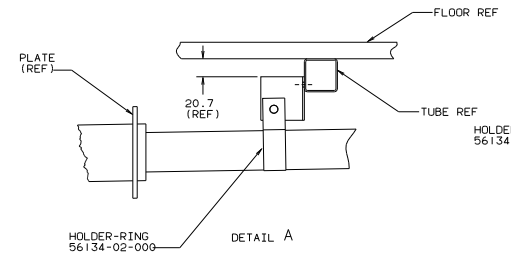
VIEW F-F

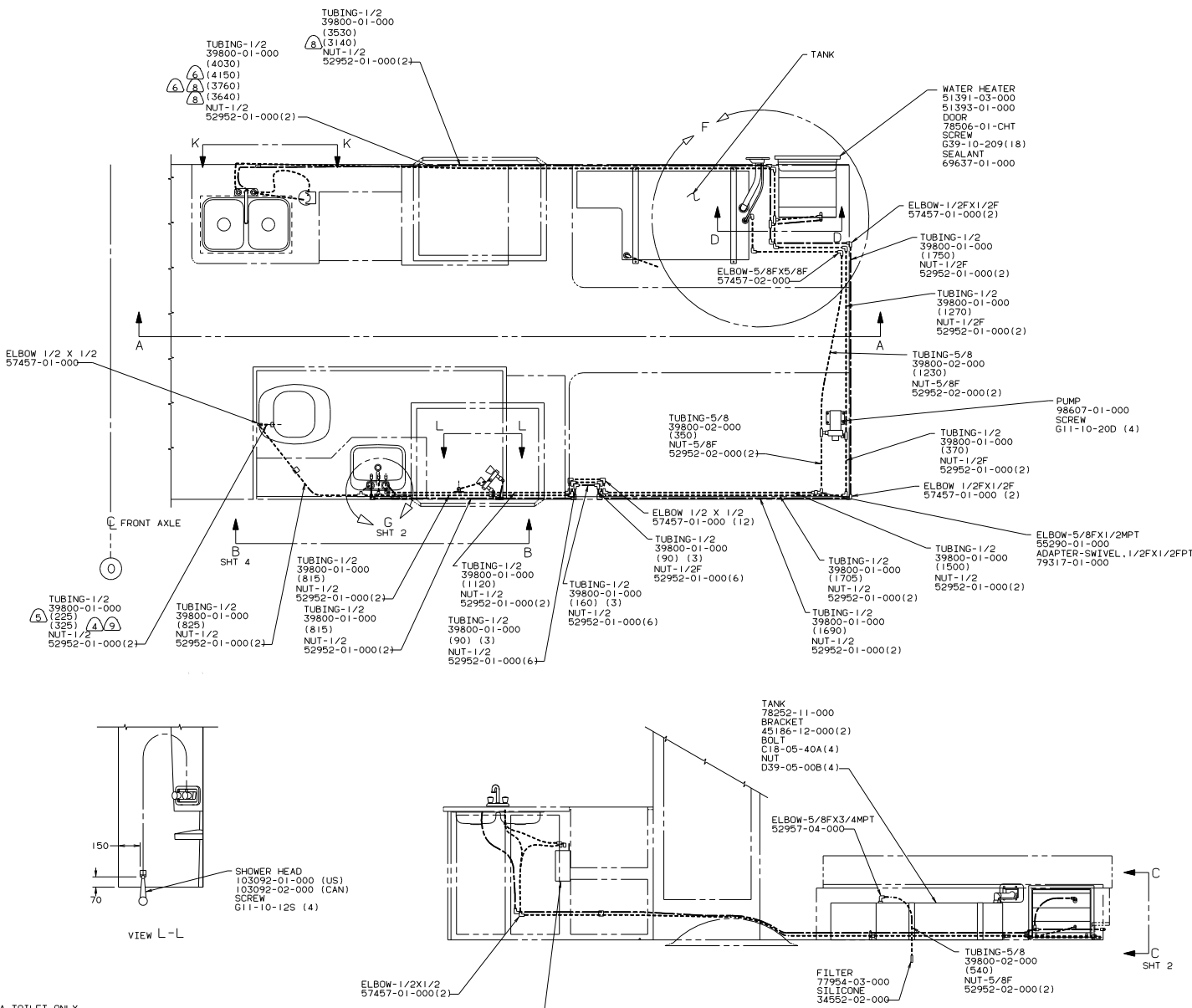


VIEW E-E
(US/CAN ONLY)



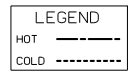
VIEW C-C



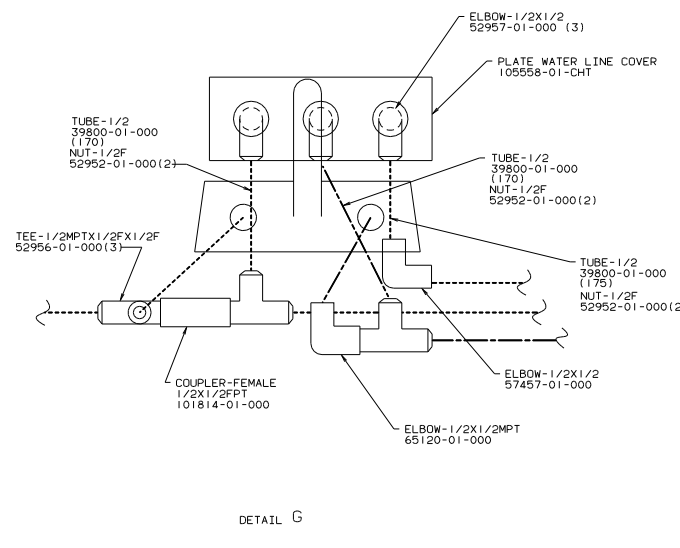
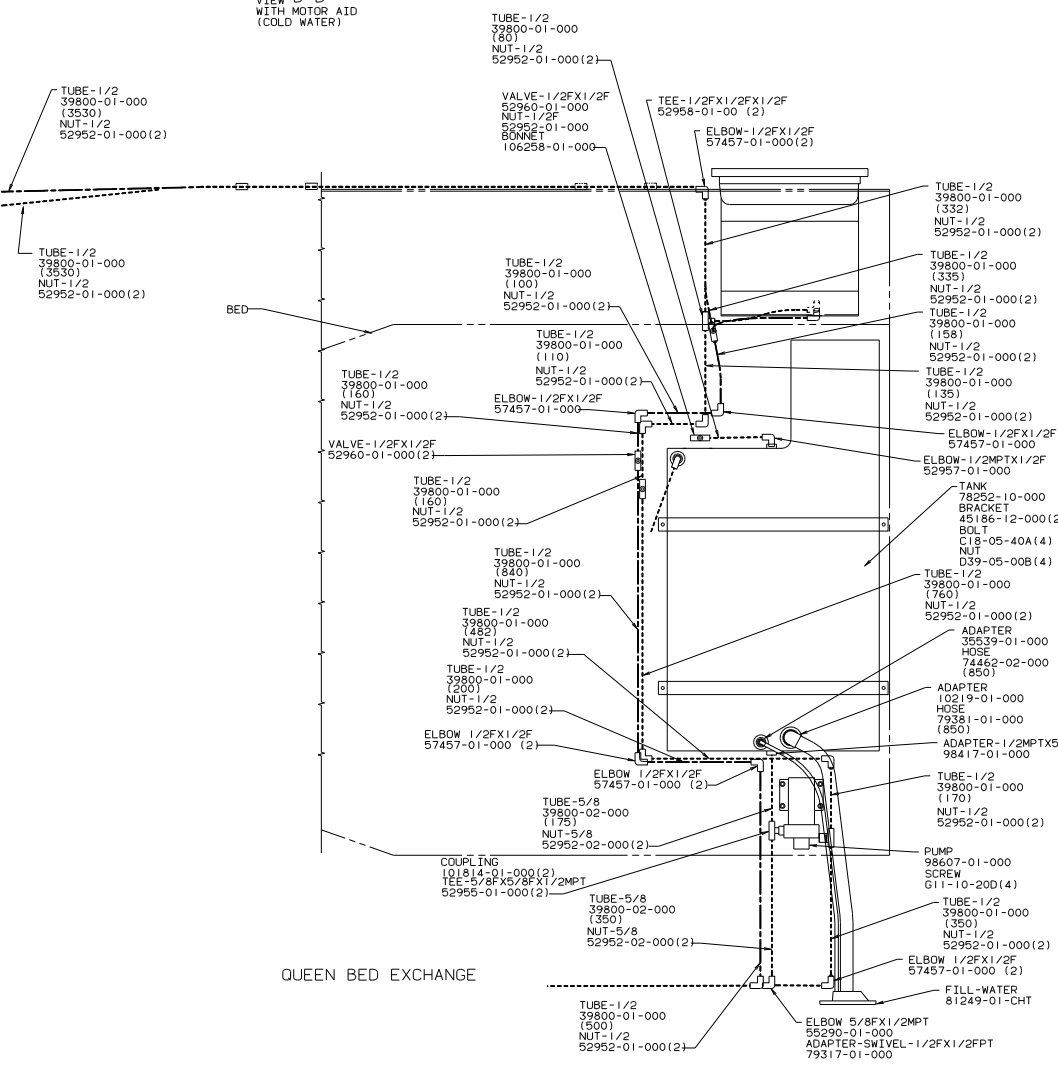
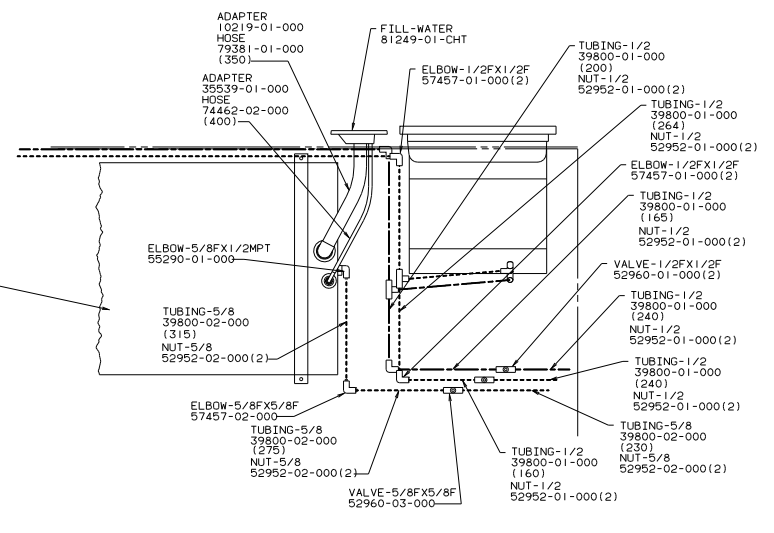
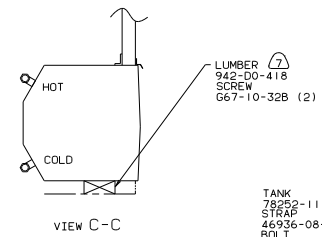
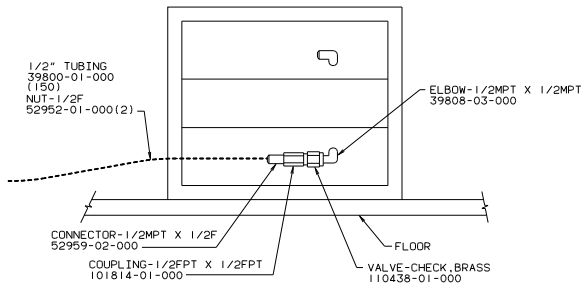


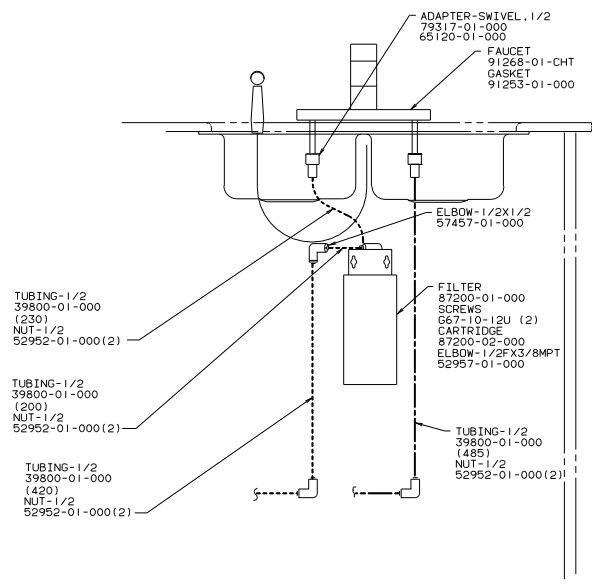
- ⑨ USE WITH CHINA TOILET ONLY.
- ⑧ USE WITH JAPANESE MODEL ONLY.
- ⑦ LOCATE LUMBER TO SUPPORT WATER HEATER.
- ⑥ USE WITH WATER FILTER OPTION ONLY.
- ⑤ USE WITH AQUA MAGIC.
- ④ USE WITH AQUA IV.

3. ALL TUBING TO BE SECURED AT 1200 INTERVALS MAXIMUM, WITH CLIP 91951-01-000 (REF) AND SCREW G13-06-16U (REF).
2. TUBING TO BE INSTALLED WITH SUFFICIENT SLOPE TO PROVIDE DRAINAGE TO NEAREST VALVE.
1. PLASTICS FITTINGS TO BE SEALED WITH SEALANT 84456-01-000.

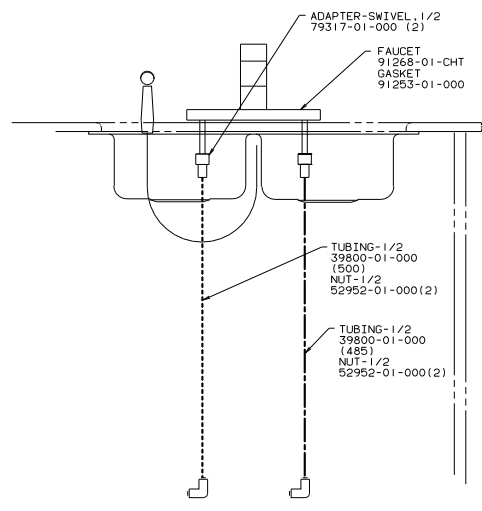


WINNERAGO		93 W1CN28RT	
DATE	UNSPECIFIED TOLERANCES ARE:	MATERIAL:	
CHG#	FRAC DEC (0.1)	F	
DWG#	ONE-PLACE (18.21)	F	
REV#	TWO-PLACE (18.20)	F	
DATE	ANGLE	F	
CDR#	THIRD ANGLE PROJECTION	F	
LAN#	N28R12	TITLE: WATER SYSTEM INSTL	
REV#	0.1	SCALE: 0.1	
ALL DIMENSIONS ARE IN MILLIMETERS		SHEET 1 OF 4	
REF: 104668		108172	

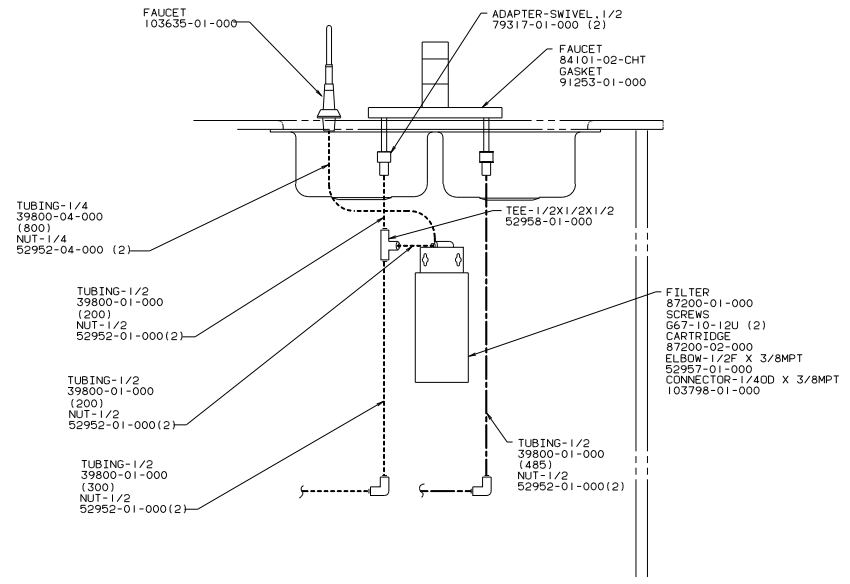




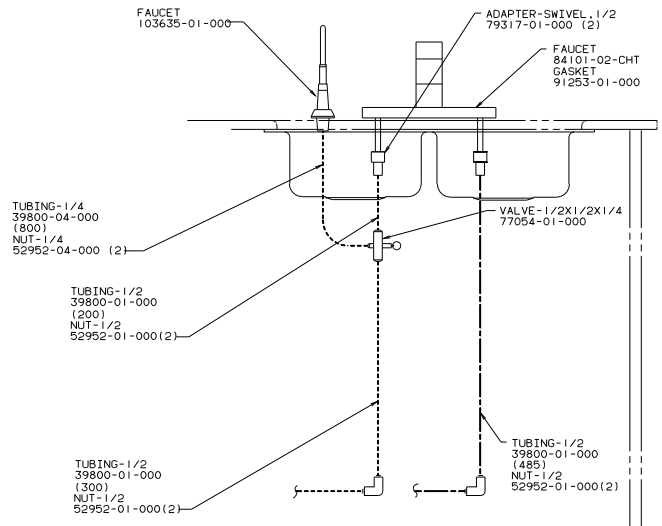
VIEW K-K
(ROTATED 180°)
SPRAYER W/PURIFIER



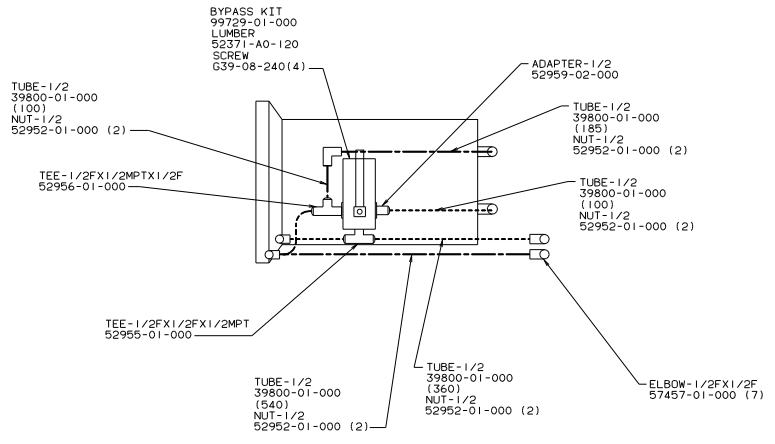
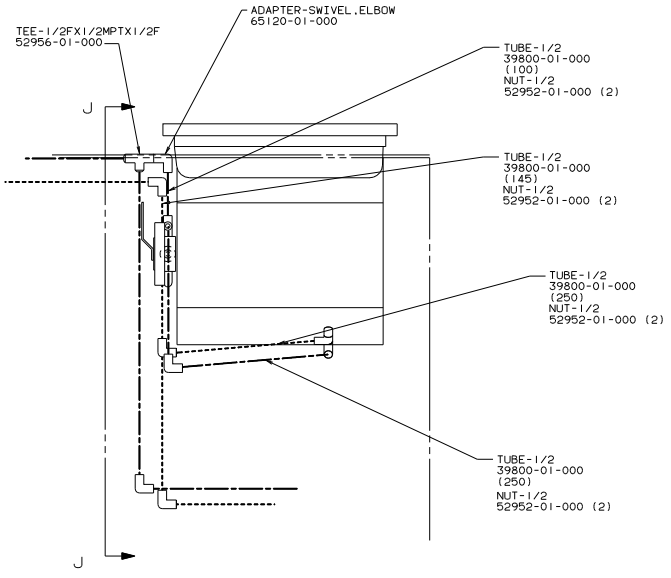
VIEW K-K
(ROTATED 180°)
SPRAYER W/OUT PURIFIER



VIEW K-K
(ROTATED 180°)
SPIGOT W/PURIFIER

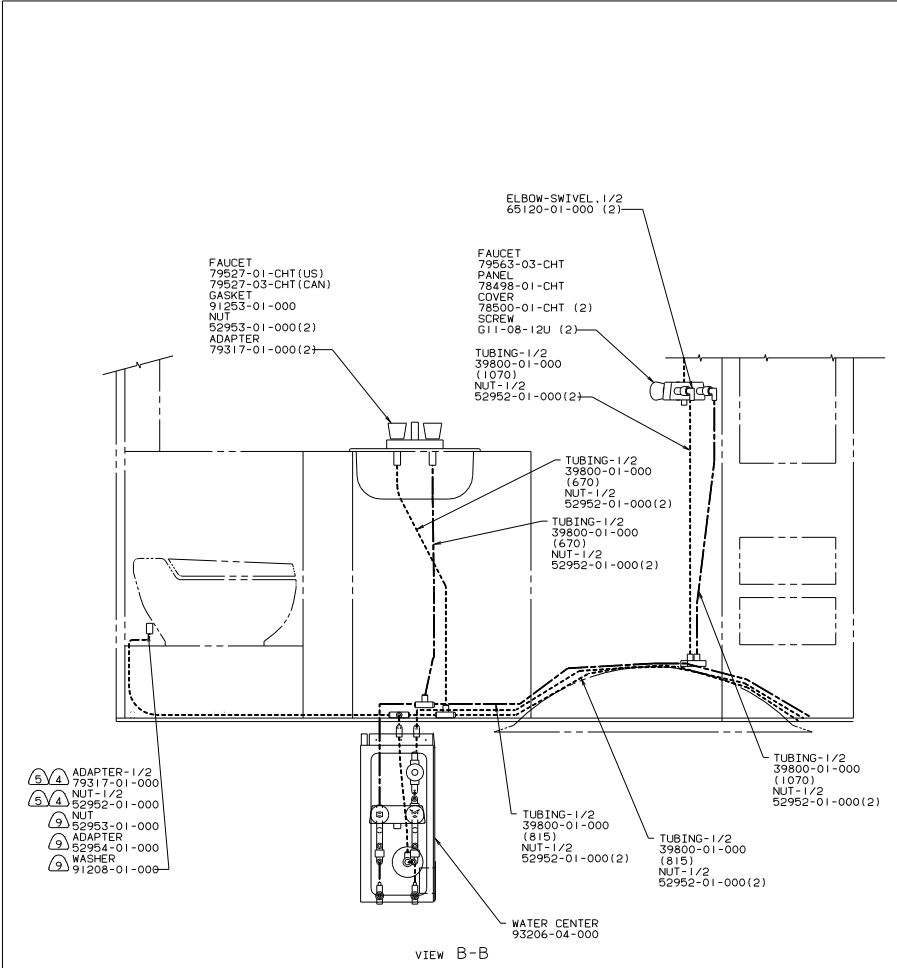


VIEW K-K
(ROTATED 180°)
SPIGOT W/OUT PURIFIER



VIEW J-J
WITH BYPASS VALVE

WATER HEATER
BYPASS OPTION



VIEW B-B