

- USE W/DISHWASHER ONLY.
- VENT PIPE MUST BE PROJECTED 51 TO 64 MAXIMUM ABOVE ROOF FOR PROPER FIT AND FUNCTION.
- SEE DRAWING 61607-01-000 FOR INSTALLATION OF GROMMET.
- SEAL ALL AROUND SHOWER WITH SILICONE 78474-01-CHT.
- FOR CANADIAN UNITS EACH HOLDING TANK SHALL HAVE A CSA APPROVAL STAMPED NEAR TAPMO APPROVAL.
- ALL PIPE AND FITTINGS TO BE ASSEMBLED WITH SOLVENT 4020-01-000.
- SLOPE OF TRAP MUST BE 6 PER 300 MINIMUM.
- SLOPE OF HORIZONTAL PIPING TO BE 6 PER 300 MINIMUM.

WINNAPCO 93 W1CM37RW

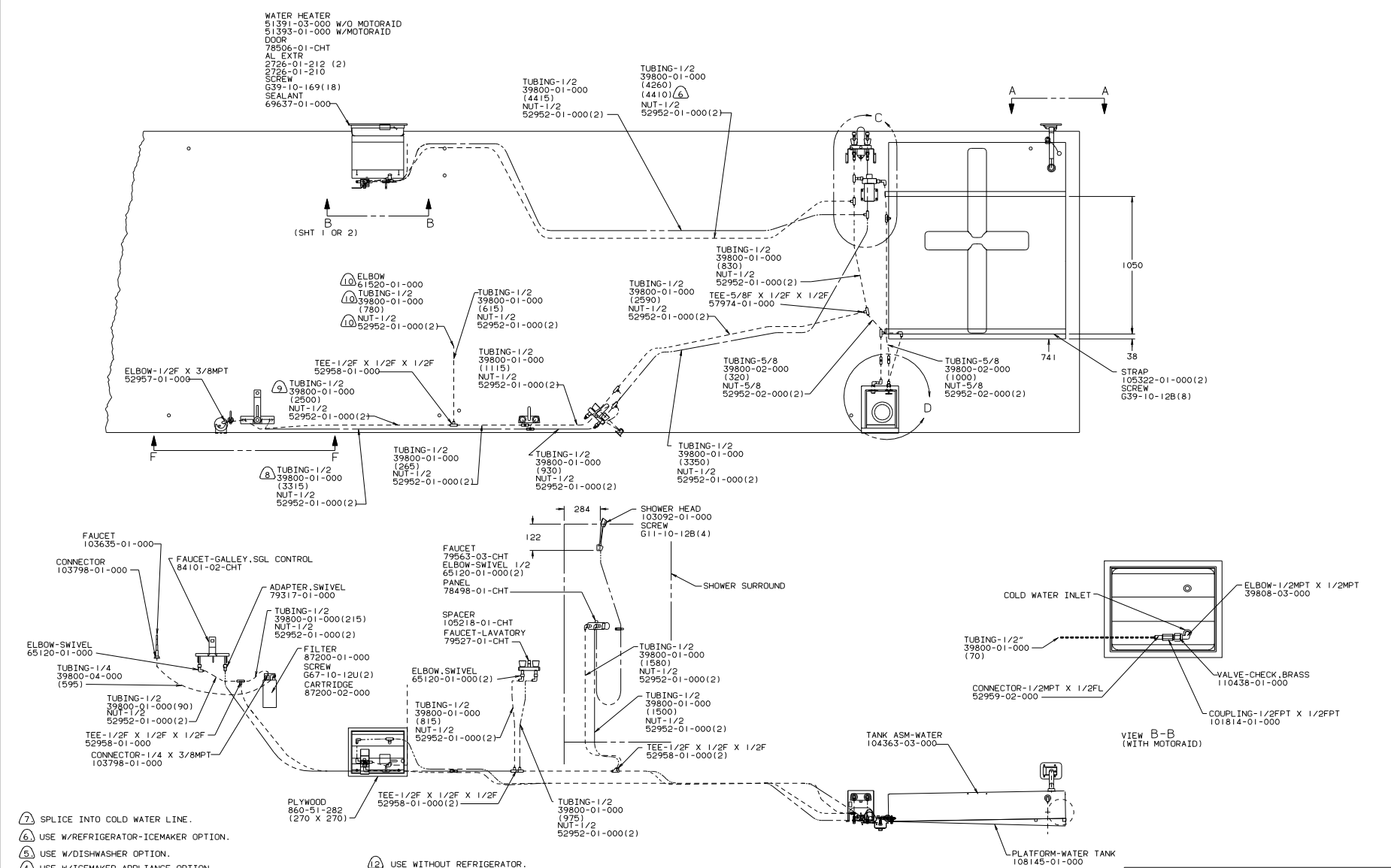
| | | | | |
|----------|-----|--------|-----|-----|
| DATE | REV | BY | APP | NO. |
| 11/15/16 | 10 | 107472 | | |

| | |
|-----------------------------|----------|
| UNSPECIFIED TOLERANCES ARE: | MATERIAL |
| WHOLE DIM IN. | |
| FRACTIONAL DIM IN. | |
| DECIMAL DIM IN. | |
| M.I.C. | |
| W.A.C. | |
| AS SHOWN | |

DRAINAGE SYSTEM INSTL

107472

WATER HEATER
 51391-03-000 W/O MOTORAID
 51393-01-000 W/MOTORAID
 DOOR
 78506-01-CHT
 AL EXTR
 2726-01-212 (2)
 2726-01-210
 SCREW
 639-10-169(18)
 SEALANT
 69637-01-000



- (2) SPLICE INTO COLD WATER LINE.
 (3) USE W/REFRIGERATOR-ICEMAKER OPTION.
 (5) USE W/DISHWASHER OPTION.
 (4) USE W/ICEMAKER APPLIANCE OPTION.
 3. ALL TUBING TO BE SECURED AT 1200 INTERVALS MAX WITH CLIP 91951-01-000 AND SCREW G13-06-16J.
 2. TUBING TO BE INSTALLED WITH SUFFICIENT SLOPE TO PROVIDE DRAINAGE TO NEAREST VALVE.
 1. PLASTIC FITTINGS TO BE SEALED WITH SEALANT 84456-01-000.

- (12) USE WITHOUT REFRIGERATOR.
 (1) USE WITH MOTORAID.
 (10) USE W/PORCELAIN TOILET.
 (9) NOT USED W/ICEMAKER APPLIANCE.
 (8) NOT USED W/DISHWASHER.

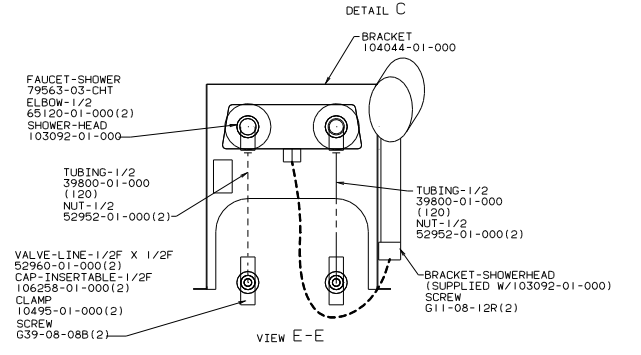
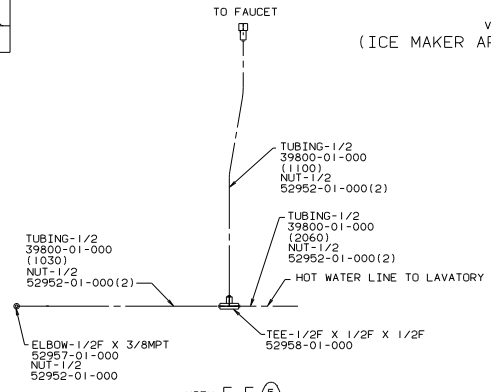
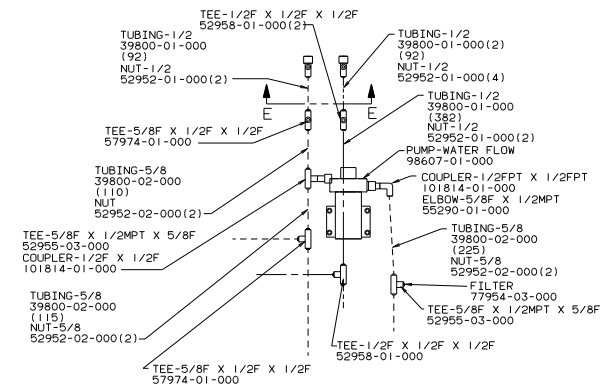
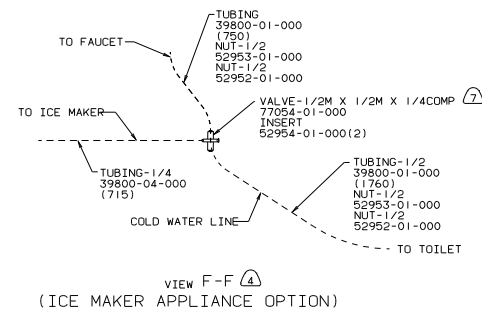
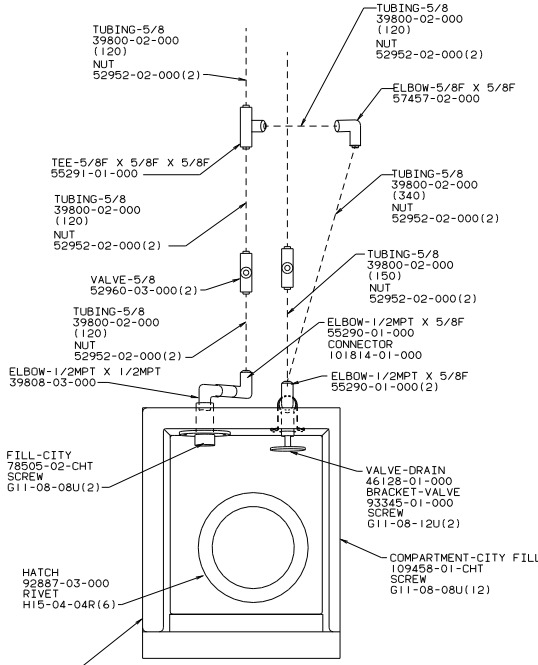
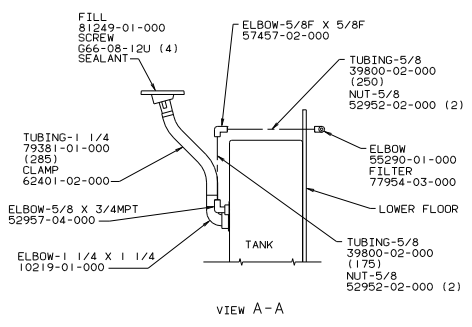
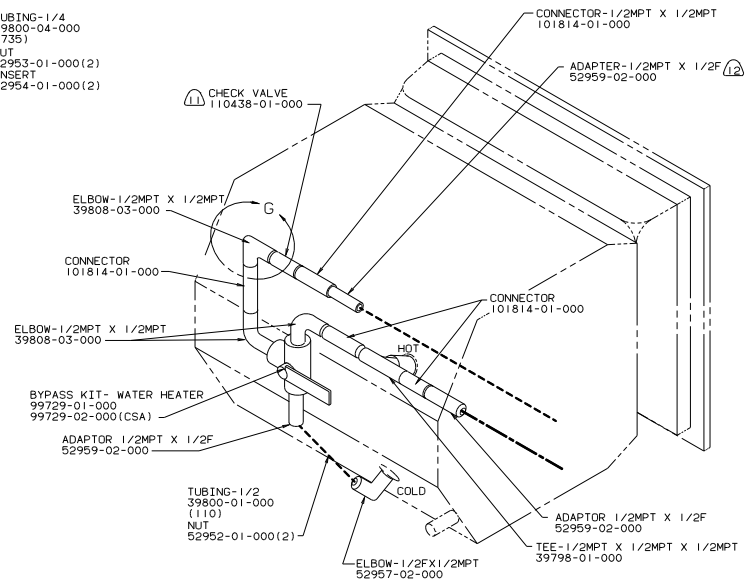
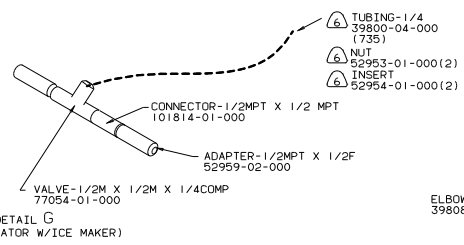
LEGEND

| | |
|------|-----------|
| HOT | ————— |
| COLD | - - - - - |

WINN-DAGO 93 W/1CM37RW

| | | |
|------|-----------------------------|----------|
| DATE | UNSPECIFIED TOLERANCES ARE: | MATERIAL |
| CDR | ANGLE DIM (1:1) | 1:2, 1:5 |
| DATE | ONE-PLACE (1:20) | |
| DATE | ANGLE | |
| DATE | THIRD ANGLE PROJECTION | |

LAND # M37RW3 TITLE: WATER SYSTEM INSTL
 DIA # SCALE: NONE 30 NOT SCALE DRAWING SIZE: 11x17
 ALL DIMENSIONS ARE IN MILLIMETERS SHEET 1 OF 2 DWG NO 107471



| | |
|---------------------------|--------|
| TITLE: WATER SYSTEM INSTL | |
| 30 MIL SCALE DRAWING | DATE |
| SHEET 2 OF 2 | 16 |
| | 107471 |