

(A) SECURE VENT TUBES TO FLOOR.

(B) VENT PIPE MUST BE PROJECTED 51 TO 64 MAXIMUM ABOVE ROOF FOR PROPER FIT AND FUNCTION.

(C) SEE DRAWING 61607-01-000 FOR INSTALLATION OF GROMMET.

5. SEAL ALL AROUND SHOWER WITH SILICONE 78474-01-CHT.

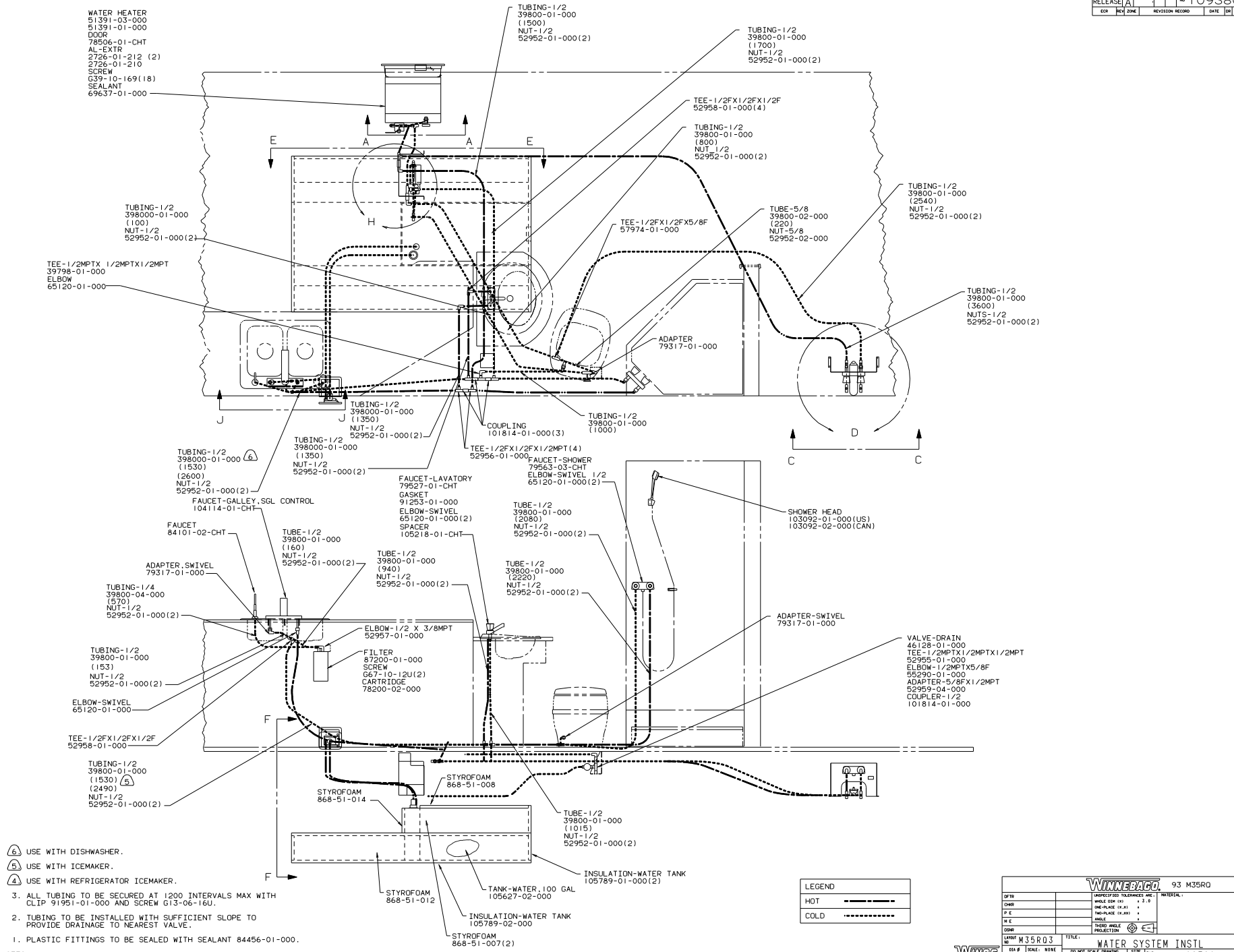
4. FOR CANADIAN UNITS EACH HOLDING TANK SHALL HAVE A CSA APPROVAL STAMPED NEAR IAPMO APPROVAL.

3. ALL PIPE AND FITTINGS TO BE ASSEMBLED WITH SOLVENT 4020-01-000.

2. SLOPE OF TRAP MUST BE 6 PER 300 MINIMUM.

1. SLOPE OF HORIZONTAL PIPING TO BE 6 PER 300 MINIMUM.

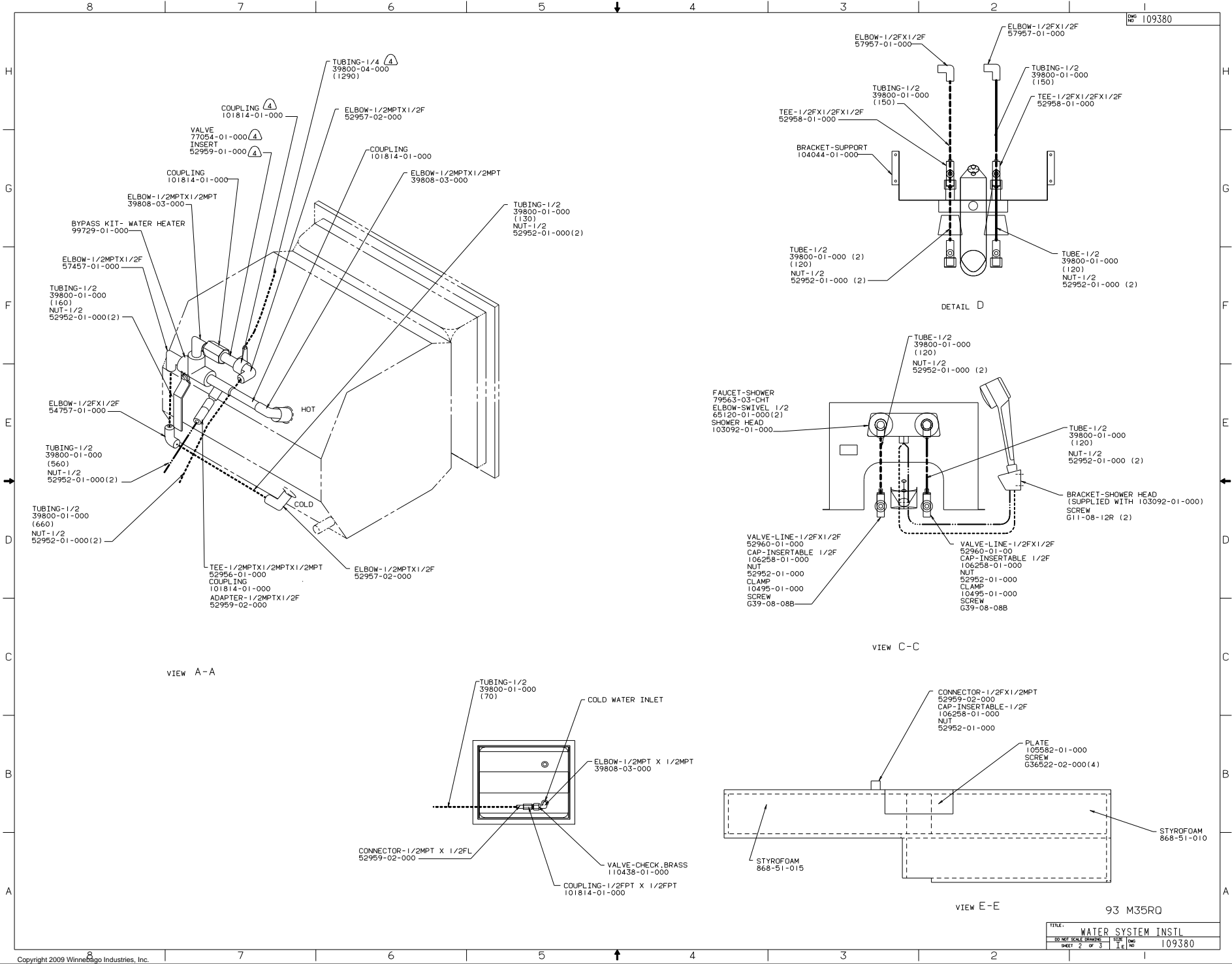
		93 WKM35R0
UNINSPECTED TOLERANCES ARE MATERIAL: HOLE DIM (H) +.3 SHAFT DIM (H) -.3 HOLE-PLACE DIM (H) +.001 HOLE-PLACE DIM (H) +.001 HOLE-PLACE DIM (H) +.001 HOLE-PLACE DIM (H) +.001	DATE: 10/10/10 DRAWN: M35R03 CHECKED: [blank] TITLE: DRAINAGE SYSTEM INSTL	108712 SHEET 1 OF 1

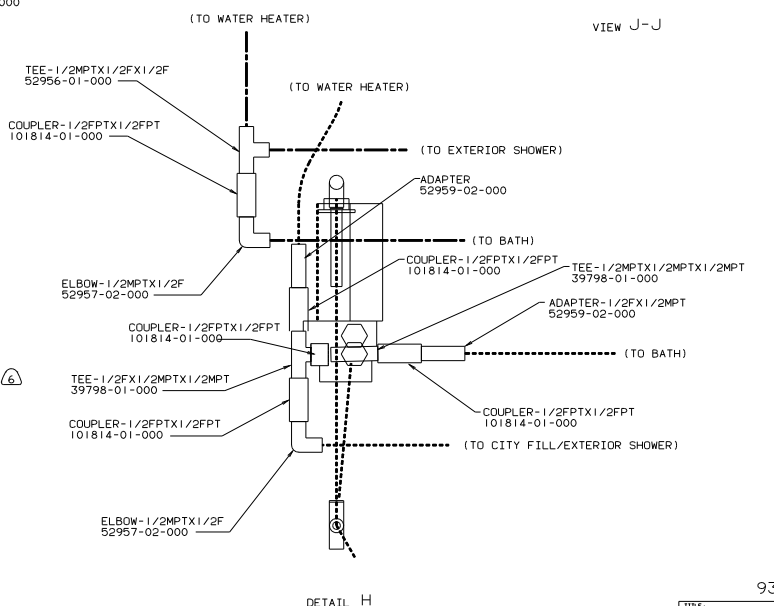
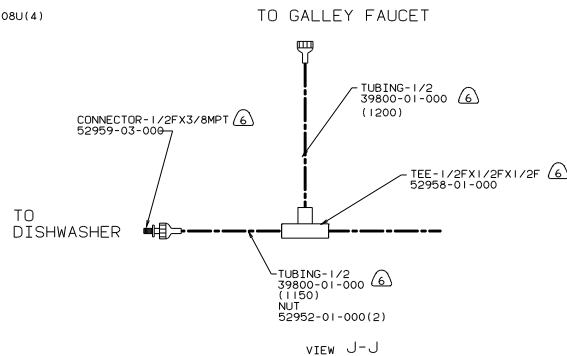
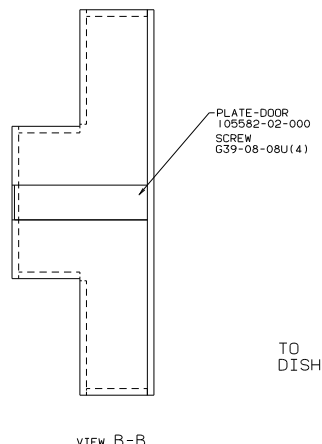
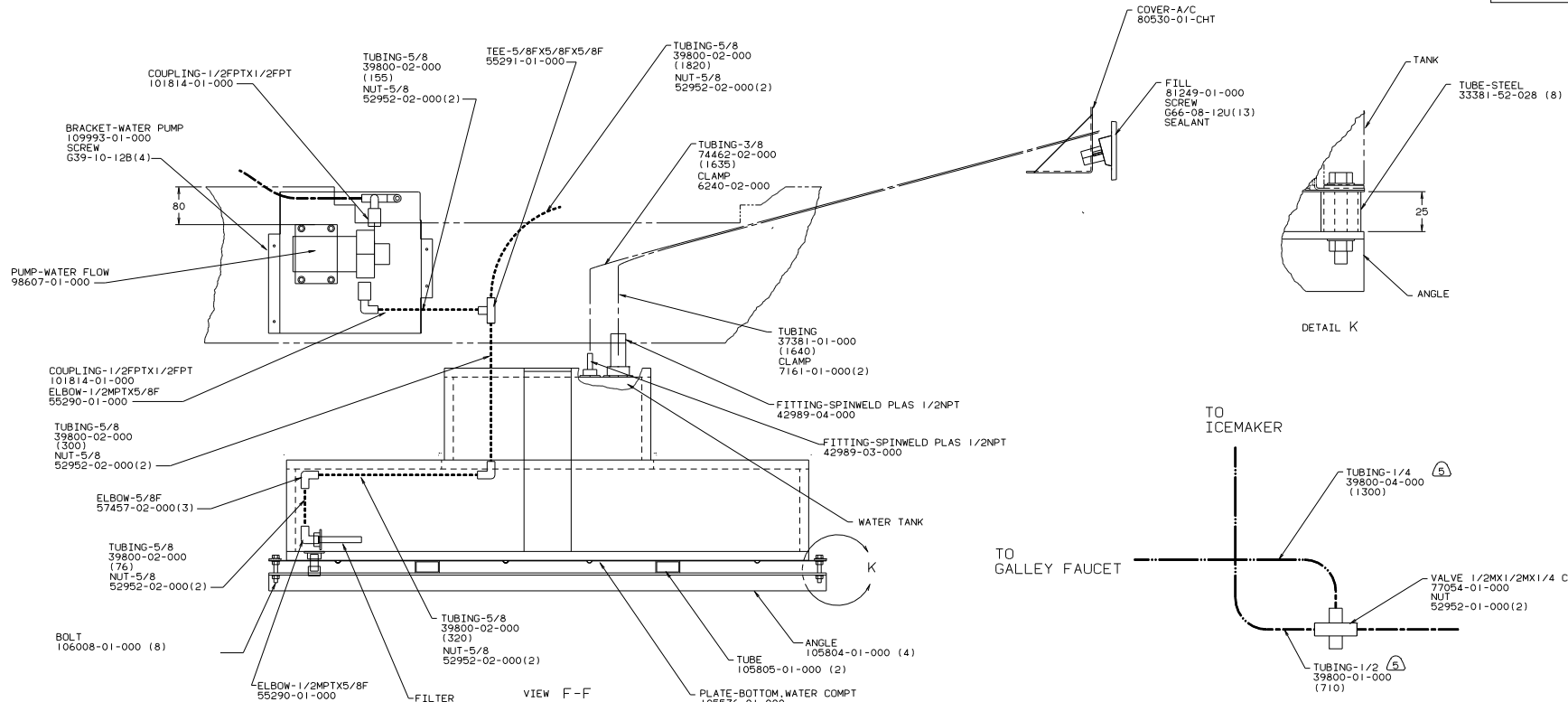


- ① USE WITH DISHWASHER.
 - ② USE WITH ICEMAKER.
 - ③ USE WITH REFRIGERATOR ICEMAKER.
3. ALL TUBING TO BE SECURED AT 1200 INTERVALS MAX WITH CLIP 91951-01-000 AND SCREW 613-06-16U.
 2. TUBING TO BE INSTALLED WITH SUFFICIENT SLOPE TO PROVIDE DRAINAGE TO NEAREST VALVE.
 1. PLASTIC FITTINGS TO BE SEALED WITH SEALANT 84456-01-000.

LEGEND	
HOT	-----
COLD	-----

WINNEMAGO 93 M35R0	
DATE	UNSPECIFIED TOLERANCES ARE:
BY	WHOLE DIM (IN) ± 0.1
CHKD	ONE-PLACE (IN, IN) ±
DATE	TWO-PLACE (IN, IN) ±
BY	ANGLE
CHKD	THIRD ANGLE PROJECTION
LANE#	M35R03
TITLE	WATER SYSTEM INSTL
DIA #	SCALE: NONE
DO NOT SCALE DRAWING	SHEET 1 OF 3
ALL DIMENSIONS ARE IN MILLIMETERS	109380





93 M35RQ

TITLE: WATER SYSTEM INSTL	
30 MIL SCALE DRAWING	REV 1
SHEET 3 OF 3	DATE 109380