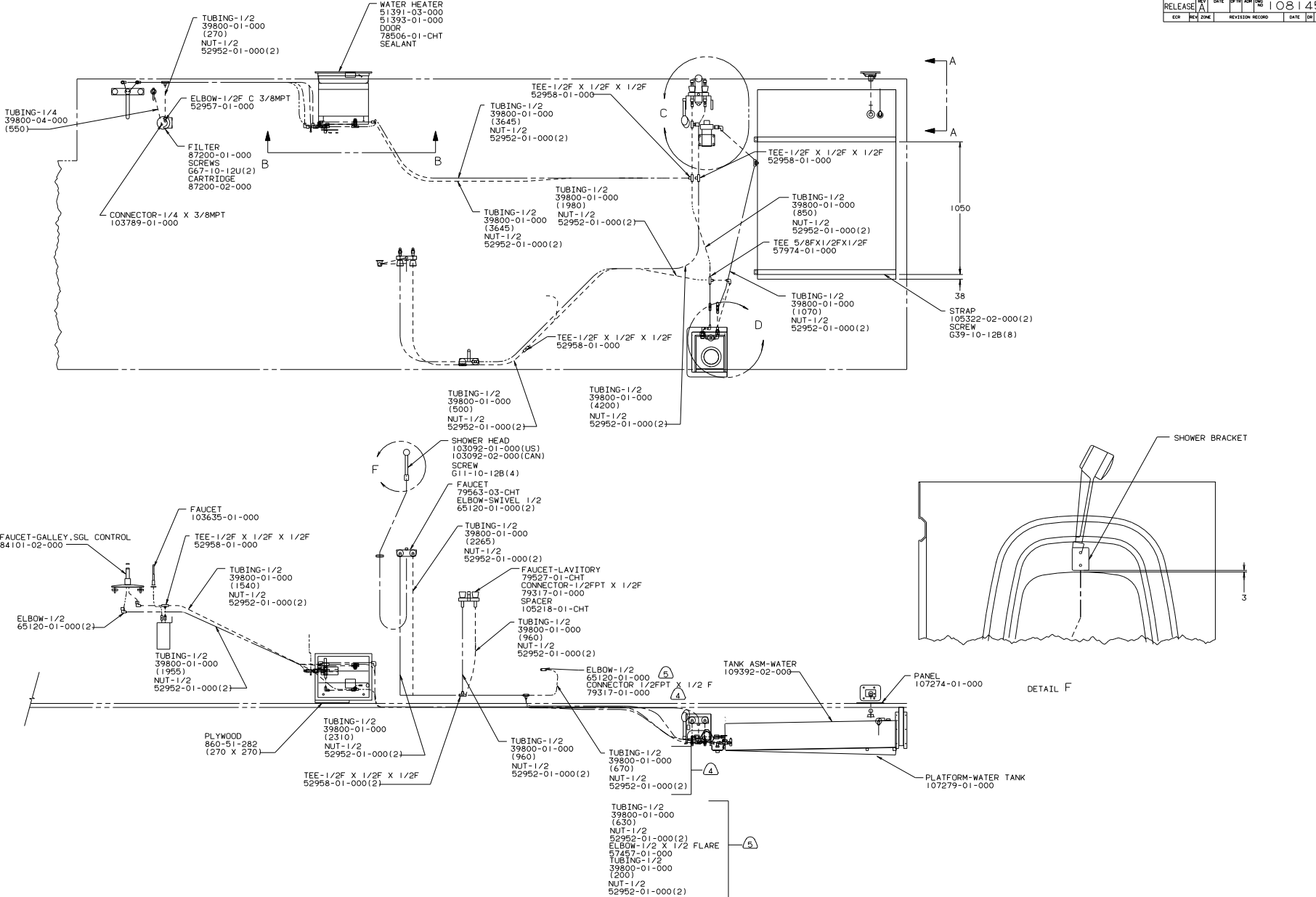


- (A) SECURE VENT TUBES TO FLOOR.
 - (B) VENT PIPE MUST BE PROJECTED 51 TO 64 MAXIMUM ABOVE ROOF FOR PROPER FIT AND FUNCTION.
 - (C) SEE DRAWING 61607-01-000 FOR INSTALLATION OF GROMMET.
5. SEAL ALL AROUND SHOWER WITH SILICONE 78474-01-CHT.
 4. FOR CANADIAN UNITS EACH HOLDING TANK SHALL HAVE A CSA APPROVAL STAMPED NEAR TAPMO APPROVAL.
 3. ALL PIPE AND FITTINGS TO BE ASSEMBLED WITH SOLVENT 4020-01-000.
 2. SLOPE OF TRAP MUST BE 6 PER 300 MINIMUM.
 1. SLOPE OF HORIZONTAL PIPING TO BE 6 PER 300 MINIMUM.

WINNEMAGO 93 M33R0	
DATE	UNSPECIFIED TOLERANCES ARE: MATERIAL:
CHG	WHOLE DIM (IN)
DR	ONE-PLACE (IN.X1)
REV	TWO-PLACE (IN.XXX)
DATE	ANGLE
CDR	THIRD ANGLE PROJECTION
LAYOUT NO. M34R03	TITLE: DRAINAGE SYSTEM INSTL
DIA # SCALE: NONE	SHEET 1 OF 1
ALL DIMENSIONS ARE IN MILLIMETERS	REF: 104598



- Ⓐ USE WITHOUT MOTORAID.
 - Ⓒ USE WITH MOTORAID.
 - Ⓓ USE WITH TOILET P/N 85321-03-CHT.
 - Ⓔ USE WITH TOILET P/N 79565-02-CHT.
3. ALL TUBING TO BE SECURED AT 1200 INTERVALS MAX WITH CLIP 91951-01-000 AND SCREW G13-06-16U.
 2. TUBING TO BE INSTALLED WITH SUFFICIENT SLOPE TO PROVIDE DRAINAGE TO NEAREST VALVE.
 1. PLASTIC FITTINGS TO BE SEALED WITH SEALANT 84456-01-000.

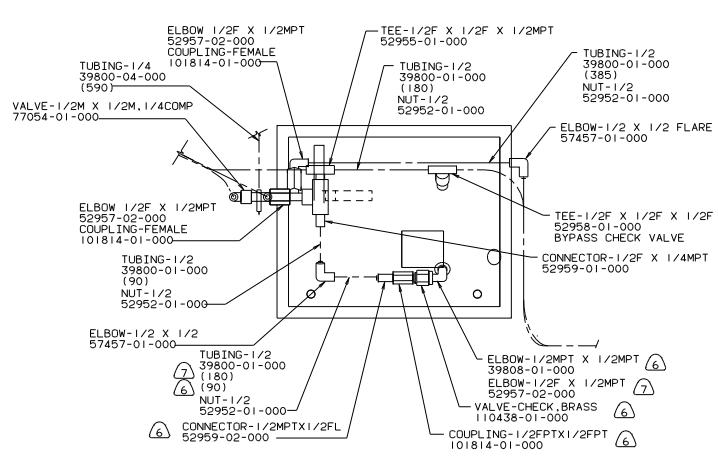
LEGEND

HOT	-----
COLD	-----

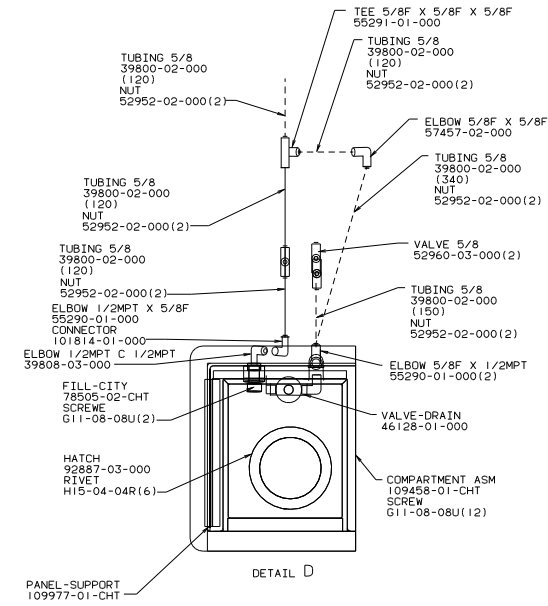
WINNERAGO 93 WCM34RO

DATE	UNSPECIFIED TOLERANCES ARE:	MATERIAL
CHRP	WHOLE DIM (IN)	1/8, 1/16
F/P/E	ONE-PLACE (IN, IN)	
F/E	TWO-PLACE (IN, IN)	
DATE	ANGLE	
DATE	THIRD ANGLE PROJECTION	

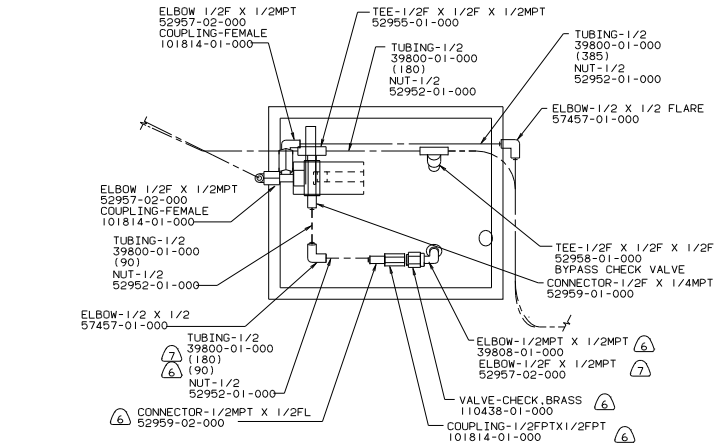
LAND # F27R03 TITLE: WATER SYSTEM INSTL
 DIA # SCALE: NONE 3D NET SCALE DRAWING SIZE: 11.6 x 17.0
 ALL DIMENSIONS ARE IN MILLIMETERS SHEET 1 OF 2 108145



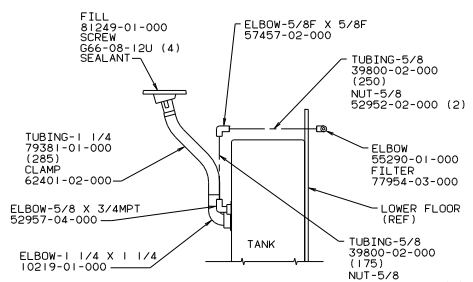
VIEW B-B
W/ICEMAKER



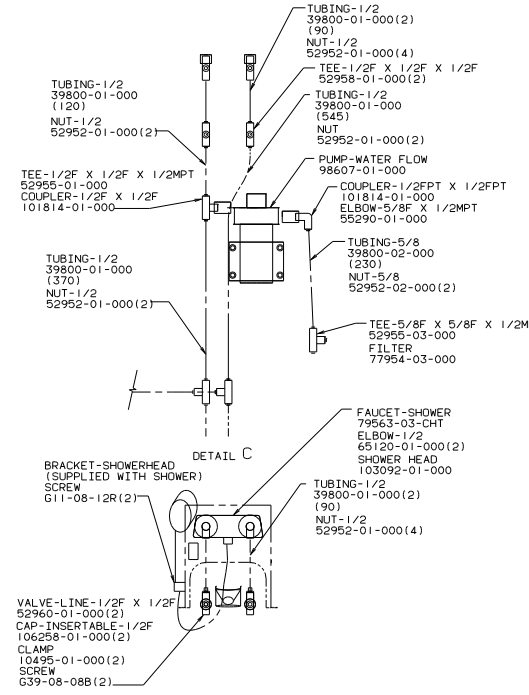
DETAIL D



VIEW B-B
W/OUT ICEMAKER



VIEW A-A



DETAIL C