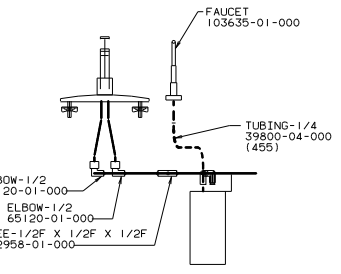
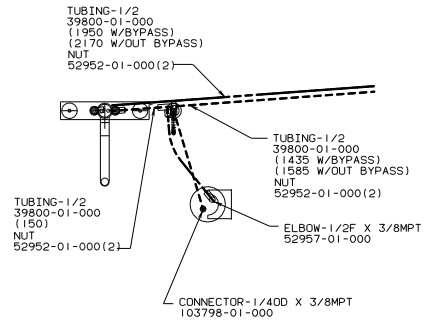


- ③ TRIM P-TRAP EXTENSION TO FIT.
  - ⑧ SECURE VENT TUBES TO FLOOR.
  - ⑦ VENT PIPE MUST BE PROJECTED 51 TO 64 MAXIMUM ABOVE ROOF FOR PROPER FIT AND FUNCTION.
  - ⑥ SEE DRAWING 61607-01-000 FOR INSTALLATION OF GROMMET.
5. SEAL ALL AROUND SHOWER WITH SILICONE 78474-01-CHT.
  4. FOR CANADIAN UNITS EACH HOLDING TANK SHALL HAVE A CSA APPROVAL STAMPED NEAR TAPMO APPROVAL.
  3. ALL PIPE AND FITTINGS TO BE ASSEMBLED WITH SOLVENT 4020-01-000.
  2. SLOPE OF TRAP MUST BE 6 PER 300 MINIMUM.
  1. SLOPE OF HORIZONTAL PIPING TO BE 6 PER 300 MINIMUM.

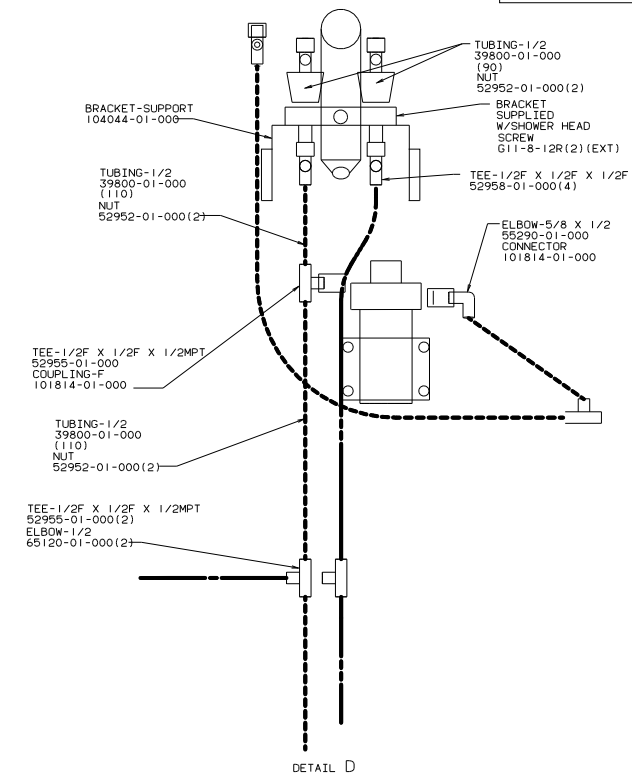
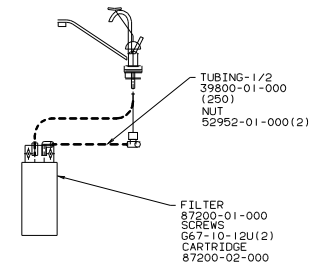
NOTES:

WINNACCO		92 WCG34R0
DRN	UNSPECIFIED TOLERANCES ARE:	MATERIAL
CHP	FRAMES (FR. 2)	
PL	ONE-PLATE (FR. 2)	
PL	TWO-PLATE (FR. 200)	
W	WELD	
CDR	THRU-WAIVE PROJECTION	
LANE NO. G34R02	TITLE: DRAINAGE SYSTEM INSTL	
DATE: NONE	SCALE: NONE	DRG NO. 104598
ALL DIMENSIONS ARE IN MILLIMETERS	SHEET 1 OF 1	

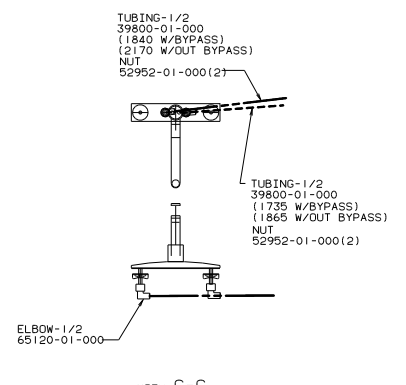




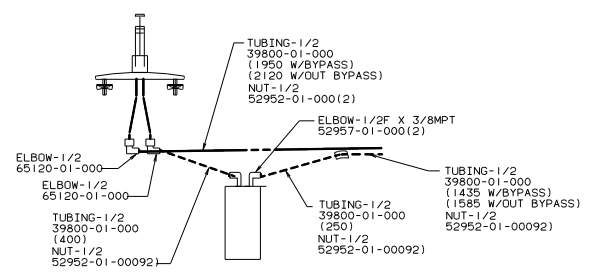
VIEW C-C  
(WITH PURIFIER AND FAUCET)



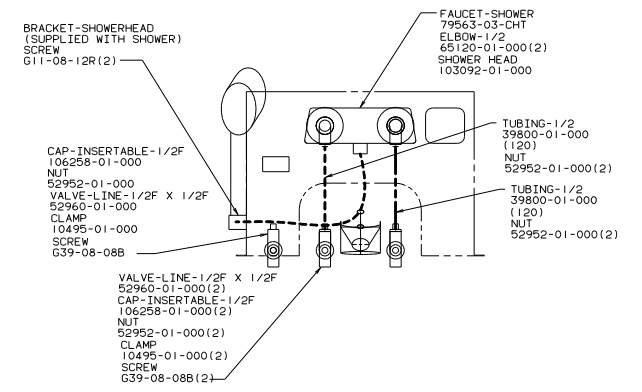
DETAIL D

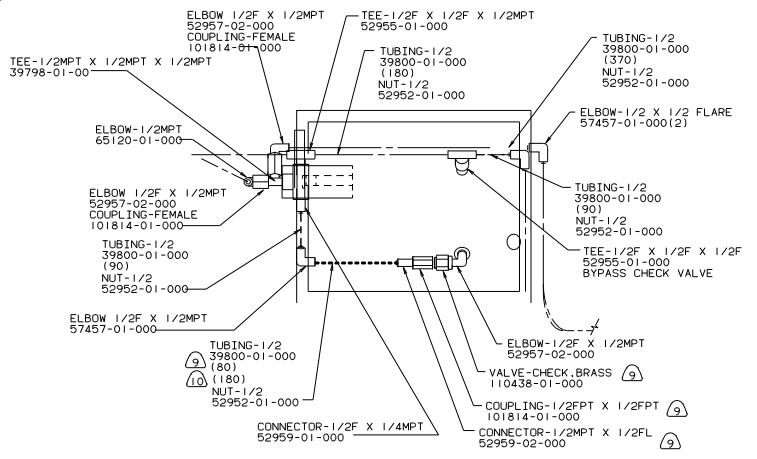
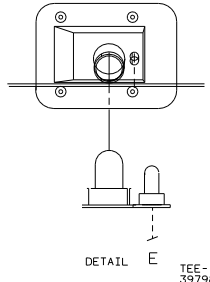
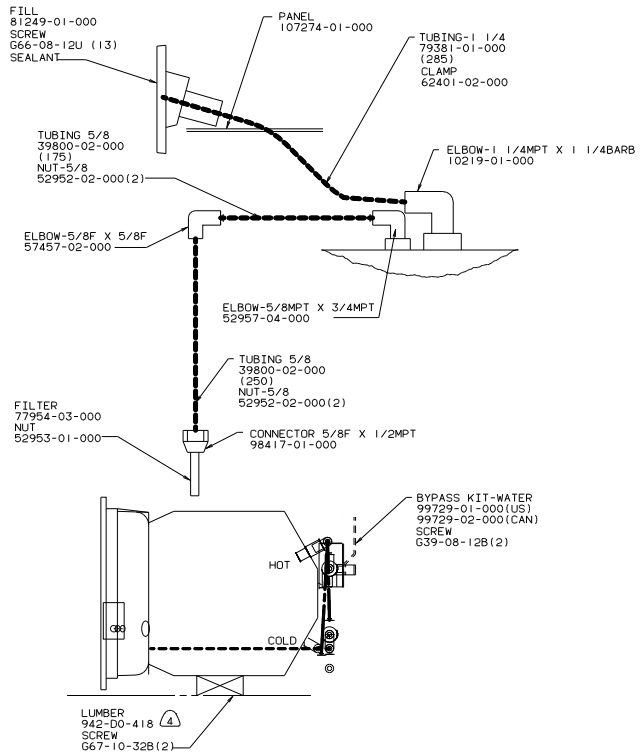


VIEW C-C  
(W/OUT PURIFIER)

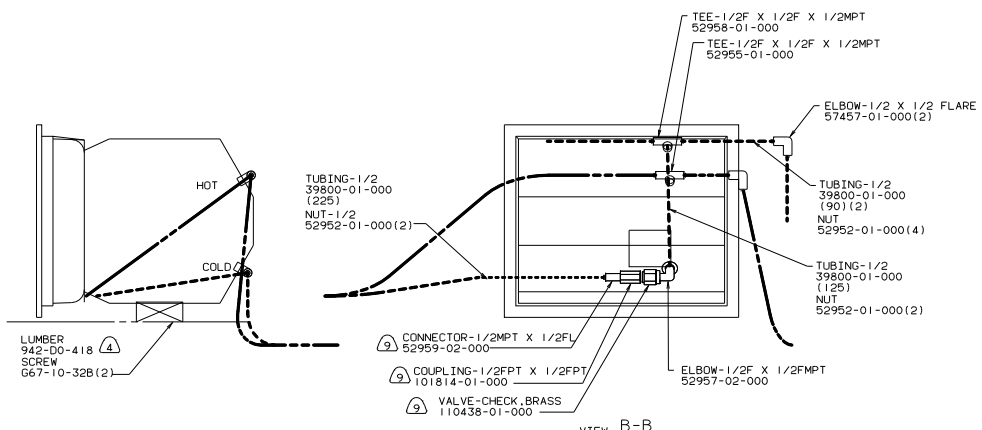


VIEW C-C  
(WITH PURIFIER)





VIEW B-B (WITH BYPASS VALVE)



VIEW B-B (W/OUT BYPASS VALVE)