

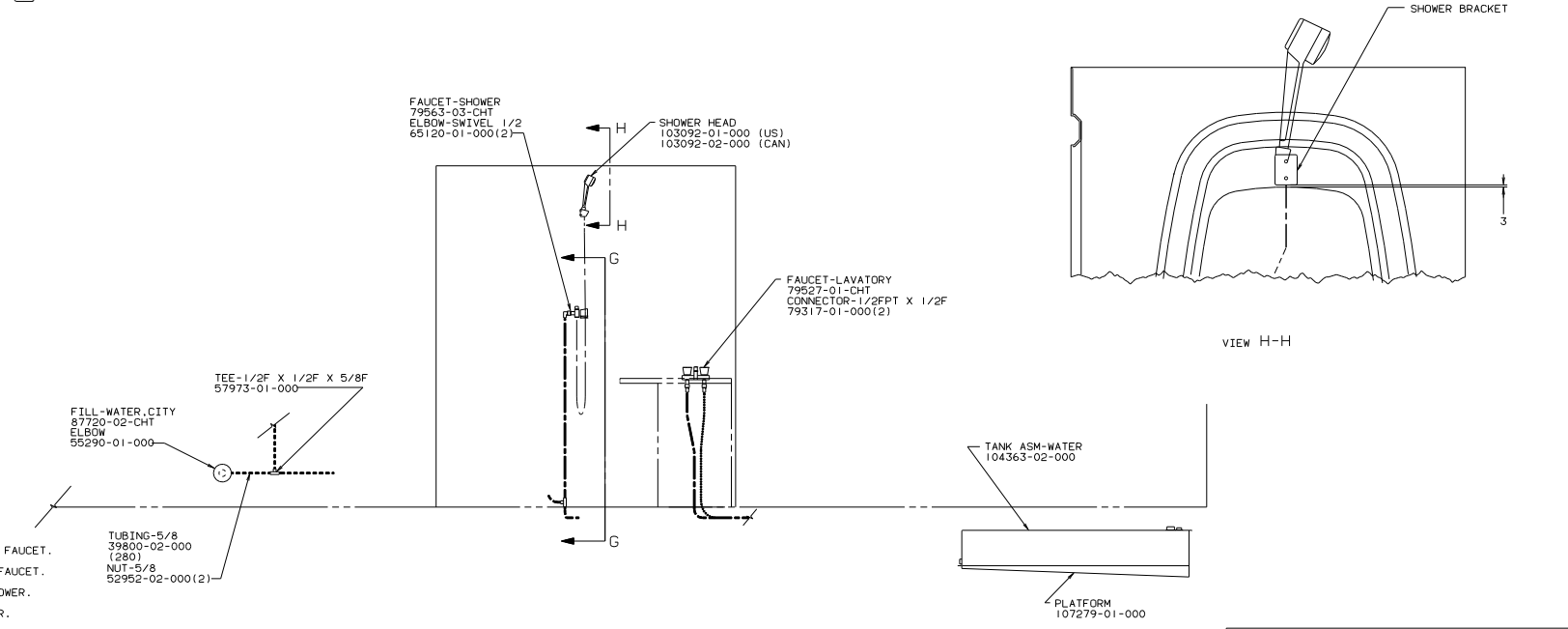
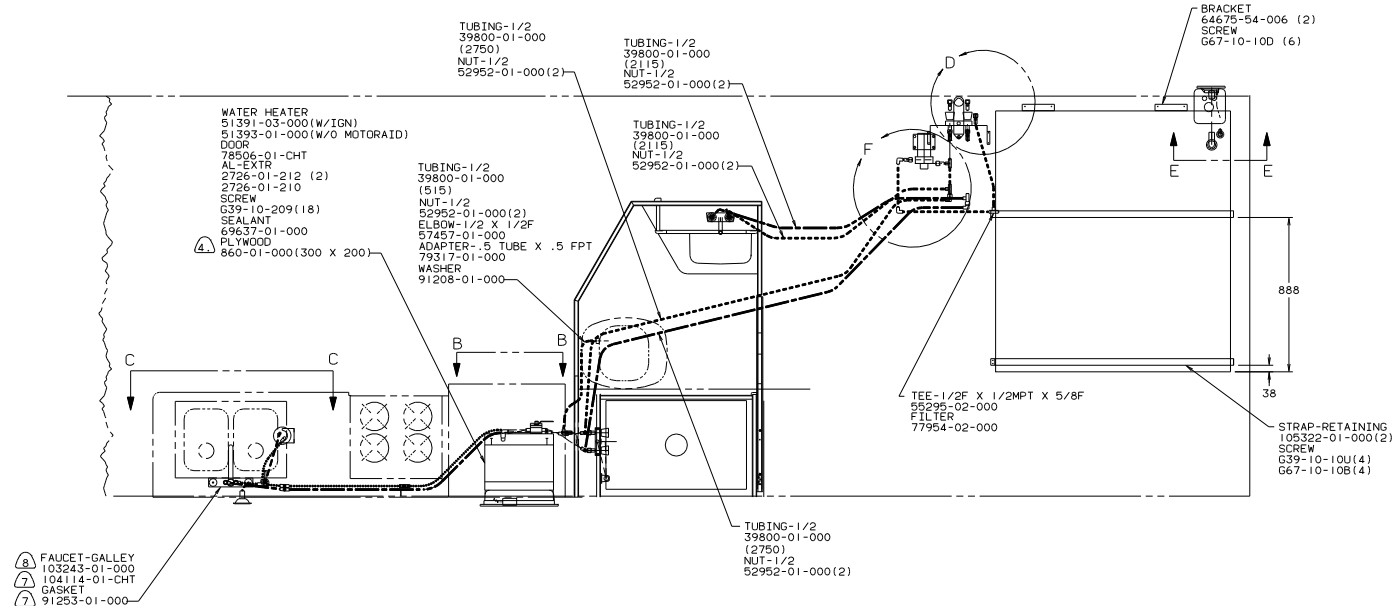
5. SEAL ALL AROUND SHOWER WITH SILICONE 78474-01-CHT.
 4. FOR CANADIAN UNITS EACH HOLDING TANK SHALL HAVE A CSA APPROVAL STAMPED NEAR IAPMO APPROVAL.
 3. ALL PIPE AND FITTINGS TO BE ASSEMBLED WITH SOLVENT 4020-01-000.
 2. SLOPE OF TRAP MUST BE 6 PER 300 MINIMUM.
 1. SLOPE OF HORIZONTAL PIPING TO BE 6 PER 300 MINIMUM.
- NOTES:
1. SEAL ALL AROUND SHOWER WITH SILICONE 78474-01-CHT.
 2. SLOPE OF TRAP MUST BE 6 PER 300 MINIMUM.
 3. ALL PIPE AND FITTINGS TO BE ASSEMBLED WITH SOLVENT 4020-01-000.
 4. FOR CANADIAN UNITS EACH HOLDING TANK SHALL HAVE A CSA APPROVAL STAMPED NEAR IAPMO APPROVAL.
 5. SEAL ALL AROUND SHOWER WITH SILICONE 78474-01-CHT.
- SEE DRAWING 61607-01-000 FOR INSTALLATION OF GROMMET.

WINNAPCO 92 WCG34RA

DATE	UNSPECIFIED TOLERANCES ARE:	MATERIAL
DRW	FRAMES 1/8"	
PIPE	ONE-PIECE 1/8"	
PIPE	TWO-PIECE 1/8"	
PIPE	ANGLE	
PIPE	TRUSS ANGLE	
PIPE	PROJECTION	

LANO# G34WA2 TITLE: DRAINAGE SYSTEM INSTL
 DIA # SCALE: NONE DO NOT SCALE DRAWING
 ALL DIMENSIONS ARE IN MILLIMETERS SHEET 1 OF 1

Copyright 2009 Winnapco Industries, Inc.



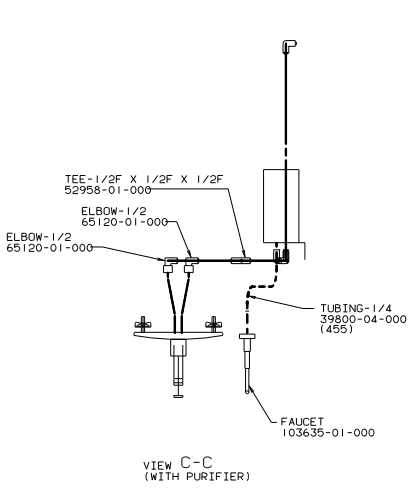
- 8 USE WITH DOUBLE CONTROL FAUCET.
 - 7 USE WITH SINGLE CONTROL FAUCET.
 - 6 USE WITHOUT EXTERIOR SHOWER.
 - 5 USE WITH EXTERIOR SHOWER.
 - 4 LOCATE LUMBER TO SUPPORT WATER HEATER.
3. ALL TUBING TO BE SECURED AT 1200 INTERFALS MAX WITH CLIP 91951-01-000 AND SCREW G13-06-16U.
 2. TUBING TO BE INSTALLED WITH SUFFICIENT SLOPE TO PROVIDE DRAINAGE TO NEAREST VALVE.
 1. PLASTIC FITTINGS TO BE SEALED WITH SEALANT 84456-01-000.

NOTES:

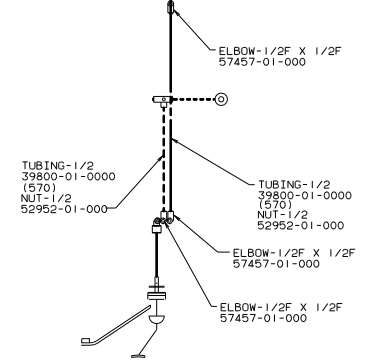
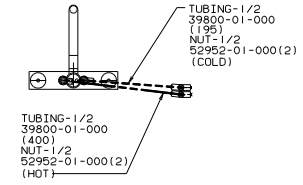
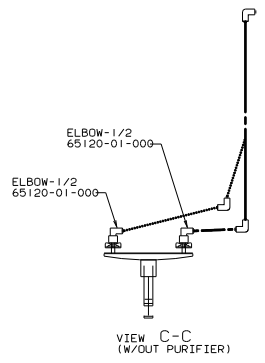
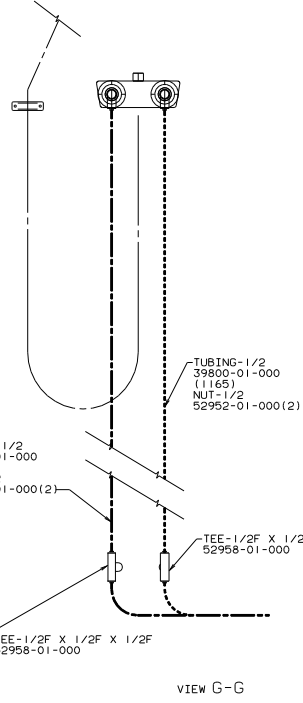
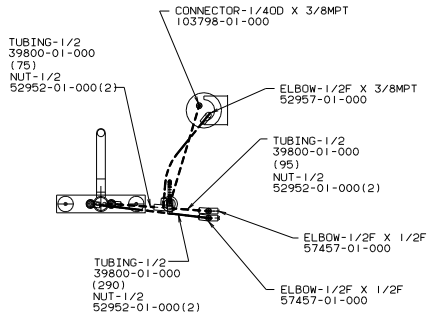
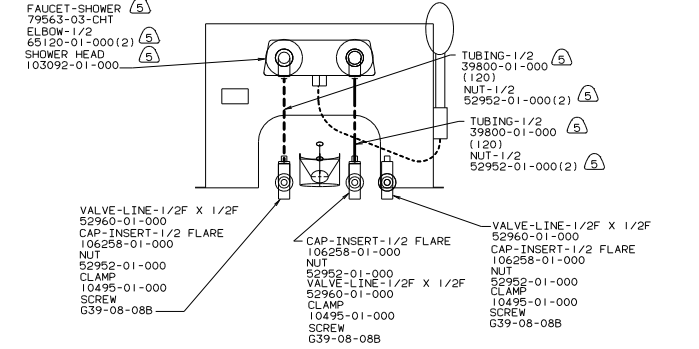
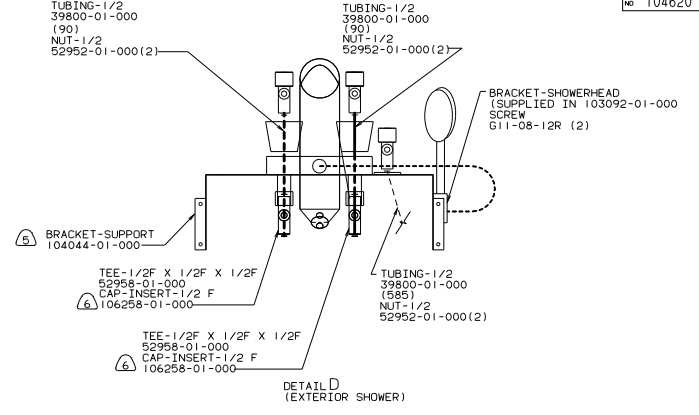
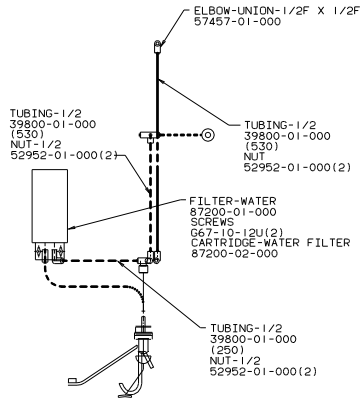
WINNERAGO 92 WCG34RA

DATE	UNSPECIFIED TOLERANCES ARE:	MATERIAL
CHDR	HALF DIM IN	
DR	ONE-PLACE IN .01	1.5
FILE	TWO-PLACE IN .001	
FILE	ANGLE	
CDR	THIRD ANGLE PROJECTION	

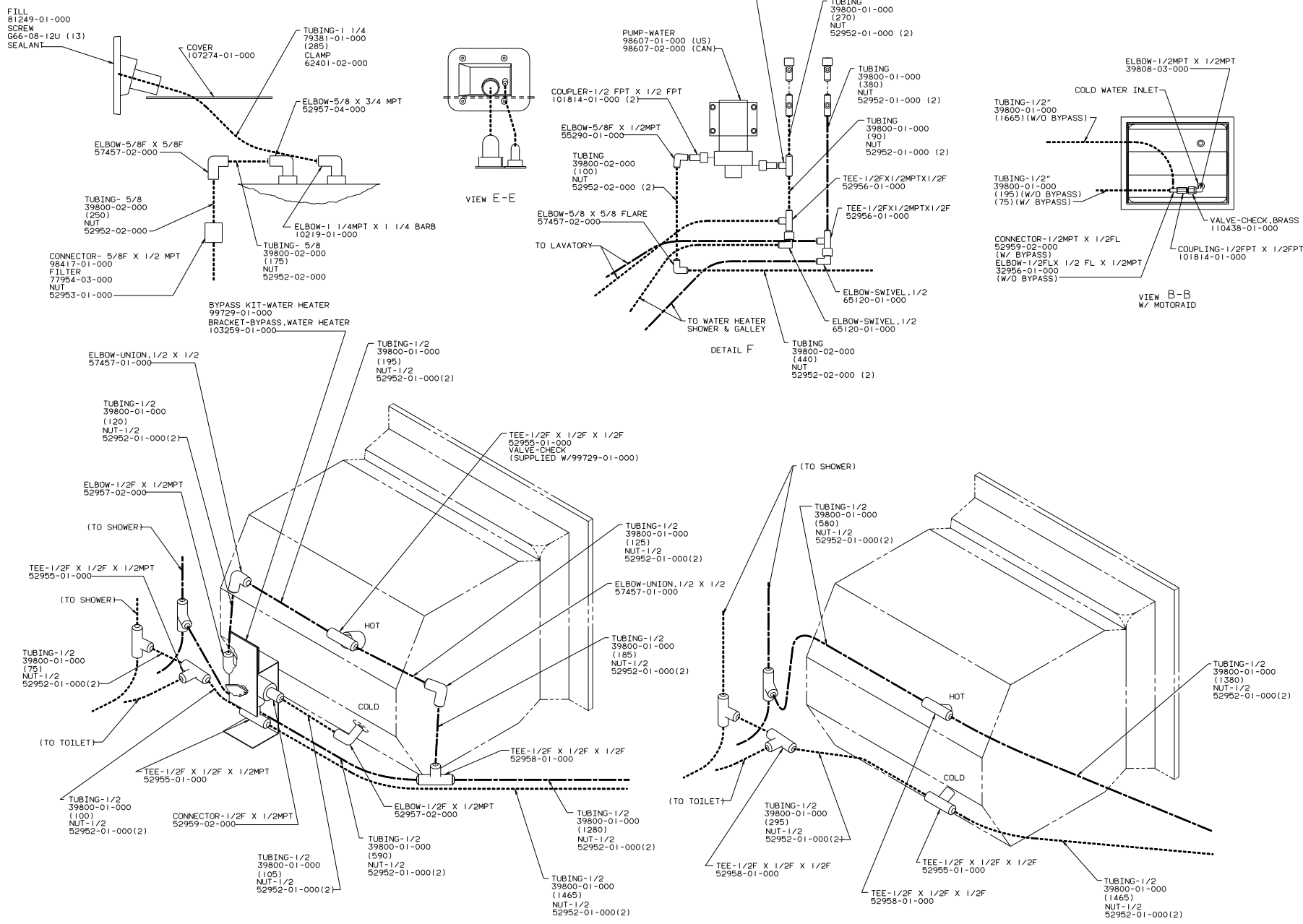
LAND: G34WA2 TITLE: WATER SYSTEM INSTL
 REF: 104674 104620



VIEW C-C
(WITH PURIFIER)



TITLE: WATER SYSTEM INSTL	
30 NET SCALE DRAWING	REV 1
SHEET 2 OF 3	DATE 11/01/09
104620	



VIEW E-E

DETAIL F

VIEW B-B W/ MOTORAID

VIEW B-B (WITH BYPASS VALVE)

VIEW B-B (WITHOUT BYPASS VALVE)

TITLE: WATER SYSTEM INSTL	
30 NET SCALE DRAWING	REV 1.0
SHEET 3 OF 3	DATE 104620