

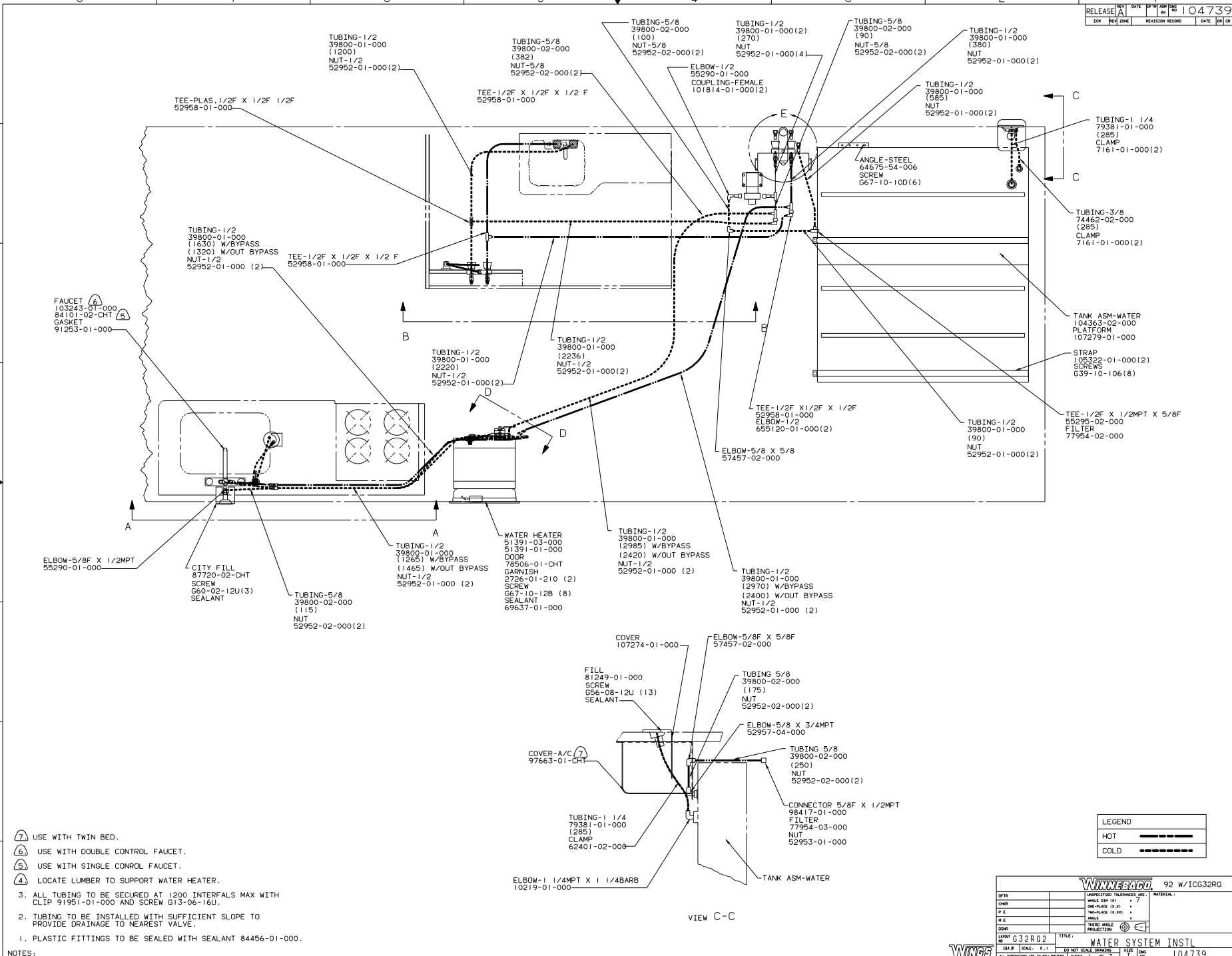
- ⑨ TRIM P-TRAP EXTENSION TO FIT.
- ⑧ SECURE VENT TUBES TO FLOOR.
- ⑦ VENT PIPE MUST BE PROJECTED 51 TO 64 MAXIMUM ABOVE ROOF FOR PROPER FIT AND FUNCTION.
- ⑥ SEE DRAWING 61607-01-000 FOR INSTALLATION OF GROMMET.
- 5. SEAL ALL AROUND SHOWER WITH SILICONE 78474-01-CHT.
- 4. FOR CANADIAN UNITS EACH HOLDING TANK SHALL HAVE A CSA APPROVAL STAMPED NEAR IAPMO APPROVAL.
- 3. ALL PIPE AND FITTINGS TO BE ASSEMBLED WITH SOLVENT 4020-01-000.
- 2. SLOPE OF TRAP MUST BE 6 PER 300 MINIMUM.
- 1. SLOPE OF HORIZONTAL PIPING TO BE 6 PER 300 MINIMUM.

WINNEMAC 93 W/1CG32R0

DATE	UNAPPROVED TOLERANCES ARE:	MATERIAL
BY	FRAMES (10.0)	
CHKD	ONE-PLATE (19.0)	
DWG	ANGLE	
CDR	THRU ANGLE PROJECTION	

LANE# G32R02 TITLE: DRAINAGE SYSTEM INSTL
 DIA # SCALE: NONE 30 MET SCALE: DRAWING 1 OF 1
 ALL DIMENSIONS ARE IN MILLIMETERS SHEET 1 OF 1

WINNEMAC REF: 104598 108509



- ① USE WITH TWIN BED.
 - ② USE WITH DOUBLE CONTROL FAUCET.
 - ③ USE WITH SINGLE CONTROL FAUCET.
 - ④ LOCATE LUMBER TO SUPPORT WATER HEATER.
3. ALL TUBING TO BE SECURED AT 1200 INTERFALS MAX WITH CLIP 91951-01-000 AND SCREW G13-06-16U.
 2. TUBING TO BE INSTALLED WITH SUFFICIENT SLOPE TO PROVIDE DRAINAGE TO NEAREST VALVE.
 1. PLASTIC FITTINGS TO BE SEALED WITH SEALANT 84456-01-000.

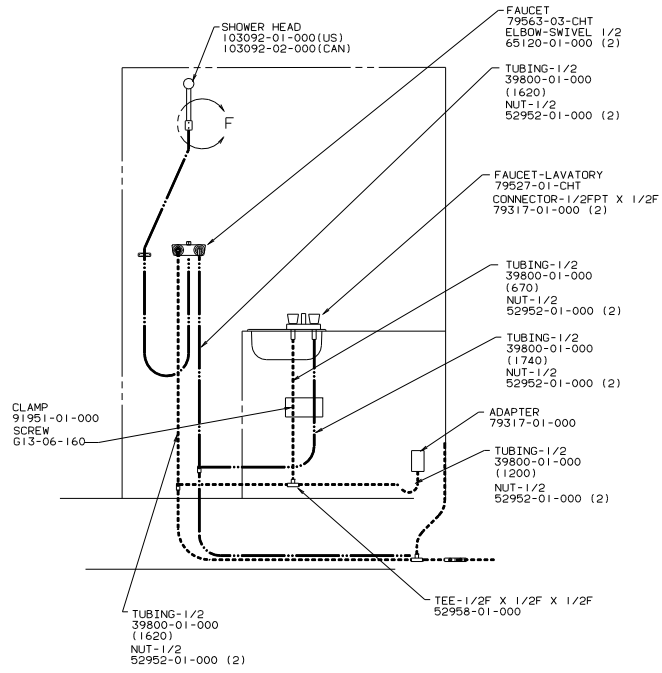
LEGEND	
HOT	—————
COLD	- - - - -

WINNENAGO 92 W1CG32R0

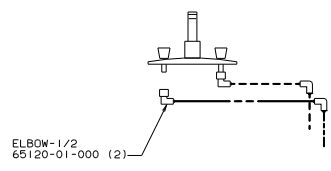
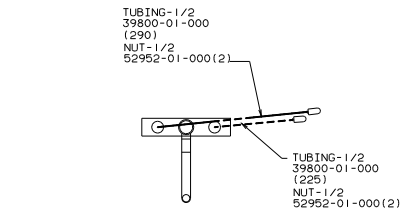
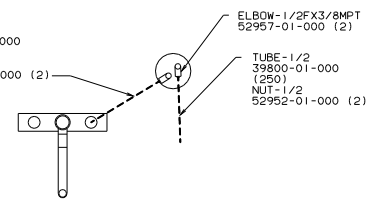
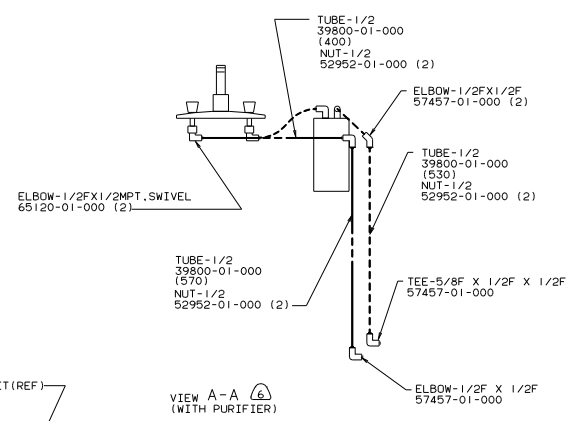
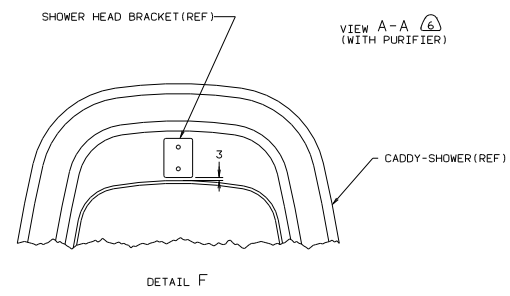
DATE	UNSPECIFIED TOLERANCES ARE:	MATERIAL
CHG#	UNLESS OTHERWISE SPECIFIED	
REV	ONE-PLACE (1X.X1)	
DATE	TWO-PLACE (1X.XX)	
BY	THREE-PLACE (1X.XXX)	
CHKD	THREE-PLACE PROJECTION	

LANE# G32R02 TITLE: WATER SYSTEM INSTL
 DIA # SCALE: 0.1 30.00 NET SCALE DRAWING SIZE: 11.00 X 17.00
 ALL DIMENSIONS ARE IN MILLIMETERS SHEET 1 OF 3 104739

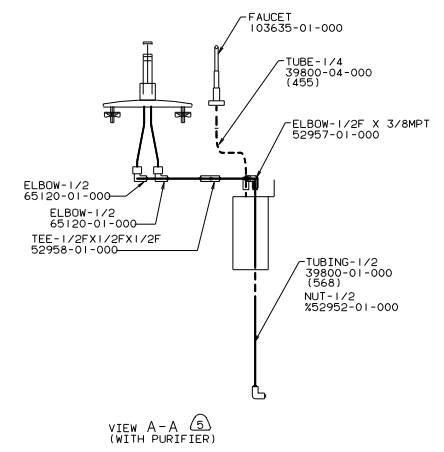
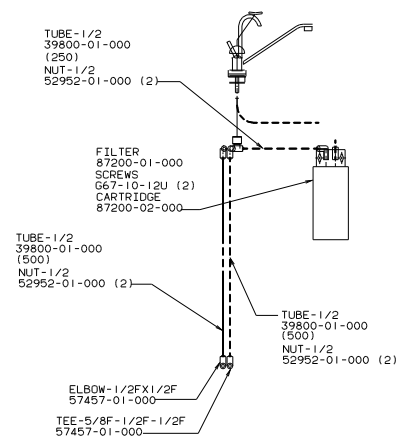
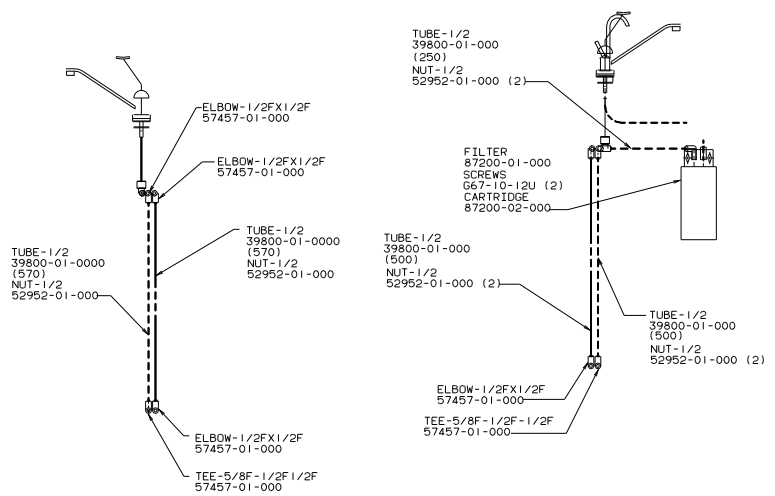
VIEW C-C

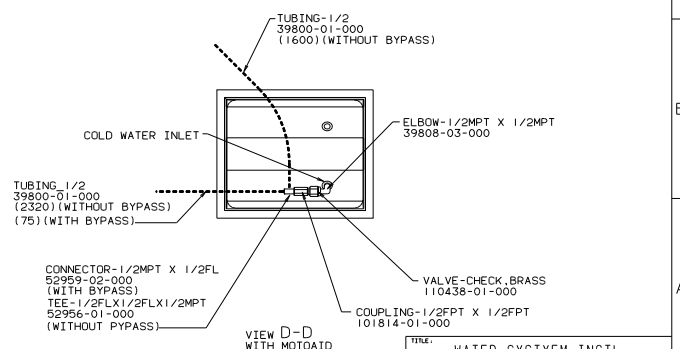
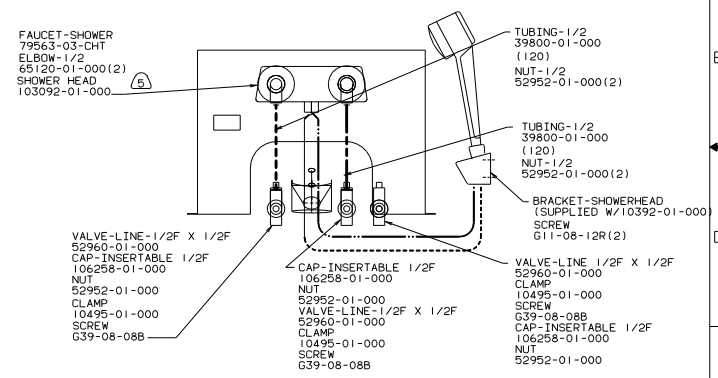
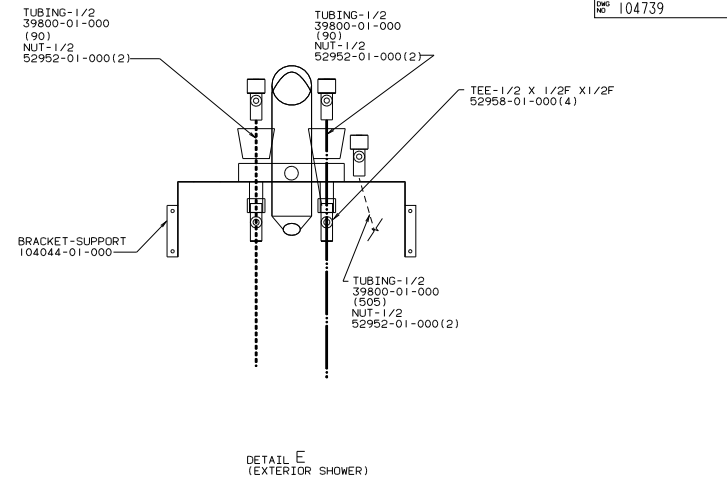
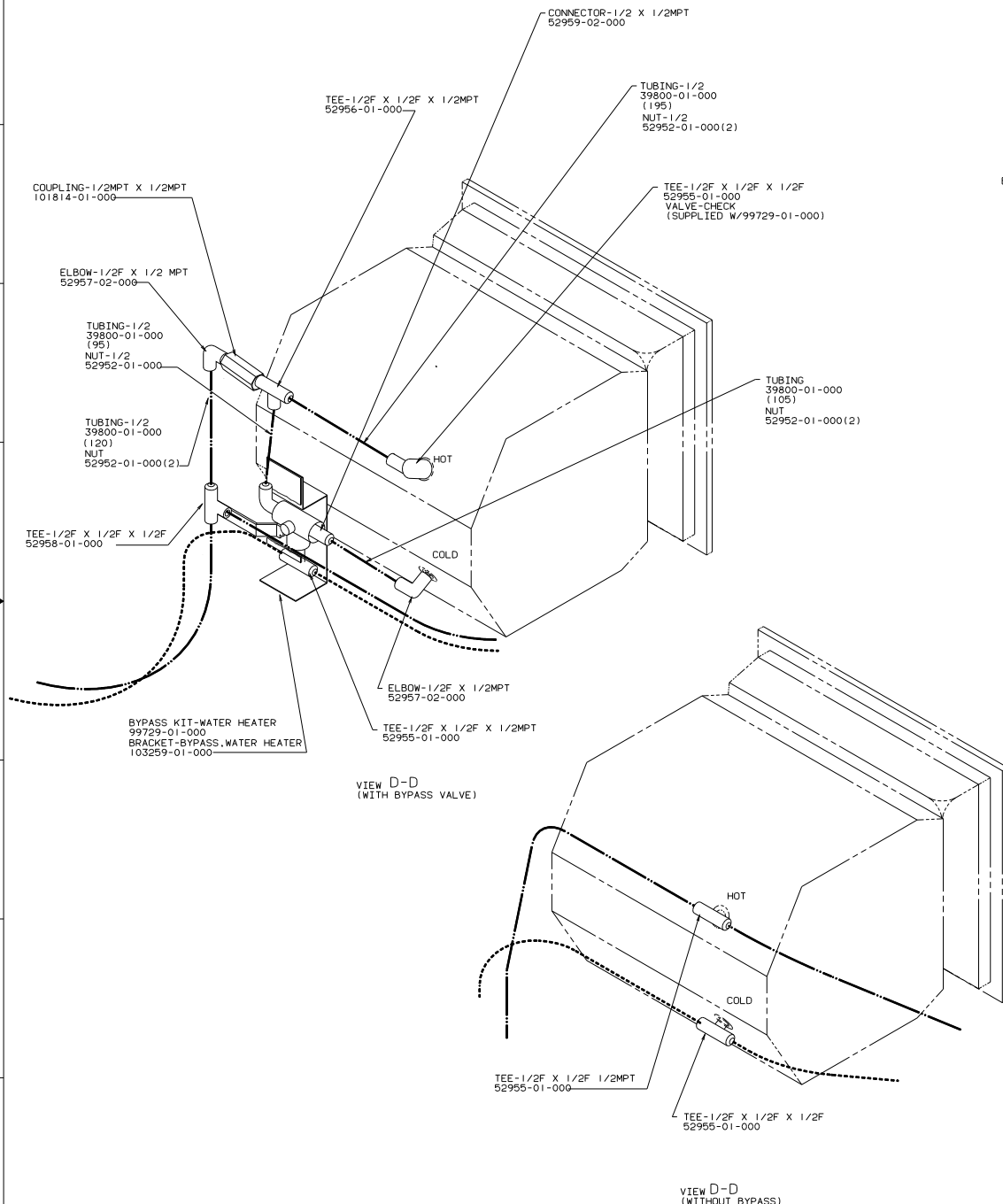


VIEW B-B



VIEW A-A (W/OUT PURIFIER)





TITLE:		WATER SYSIEM INSTL	
30	NO. SHEET	3	OF 3
1	REV	1	DATE
		104739	