

OF VEHICLE

CONTINUOUS WASTE-11/4
 11091-02-000 (US)
 11091-03-000 (CAN)

SINK
 104113-01-000 (US)
 104113-02-000 (CAN)
 STRAINER W/BASKET
 92303-01-000(2)
 RETAINER
 105497-01-000(3)
 105497-02-000(4)
 SCREW
 G11-08-08U(33)
 SEALER
 69640-01-000

TOILET
 84738-02-CHT (WIN)

ELBOW-11/2 X 90°
 LONG TURN
 34250-01-000

PIPE-11/2 X 240
 10195-01-000 (US)
 10195-02-000 (CAN)

PIPE-11/2 X 240
 10195-01-000 (US)
 10195-02-000 (CAN)

GROMMET
 61607-01-000

ELBOW-XLT 90
 10008-01-000

PIPE-11/2 X 240
 10195-01-000 (US)
 10195-02-000 (CAN)

GROMMET
 61607-01-000

PIPE-11/2 X 240
 10195-01-000 (US)
 10195-02-000 (CAN)

ELBOW-ST-1 1/2 X 90°
 33761-01-000

PIPE-11/2 X 240
 10195-01-000 (US)
 10195-02-000 (CAN)

WYE-1 1/2 X 45°
 10073-01-000

PIPE-11/2
 10195-01-000 (US)
 10195-02-000 (CAN)

P-TRAP-11/4
 107538-01-000(US)
 11066-02-000 (CAN)

SHOWER INSTL-ENCLOSURE
 102834-01-000

STRAINER
 66729-01-000

SEALER
 69640-01-000

NUT
 66435-01-000

WASHER
 69735-01-000

TAILPIECE
 11069-03-000 (US)
 11069-02-000 (CAN)

NUT
 66436-01-000

VENT
 83568-01-000

SEALER
 69640-03-000

SCREW
 G67-10-12B (6)

PIPE-11/2 X 240
 10195-01-000 (US)
 10195-02-000 (CAN)

WYE-11/2 X 45°
 10073-01-000

PIPE-11/2 X 240
 10195-01-000 (US)
 10195-02-000 (CAN)

ELBOW-11/2 X 45°
 10006-01-000

PIPE-11/2 X 240
 10195-01-000 (US)
 10195-02-000 (CAN)

ELBOW-11/2 X 90°
 EXTRA LONG TURN
 10008-01-000

PIPE-11/2 X 240
 10195-01-000 (US)
 10195-02-000 (CAN)

WYE-11/2 X 45°
 10073-01-000

PIPE-11/2 X 240
 10195-01-000 (US)
 10195-02-000 (CAN)

ELBOW-11/2 X 45°
 10006-01-000

PIPE-11/2 X 240
 10195-01-000 (US)
 10195-02-000 (CAN)

ELBOW-11/2 X 90°
 EXTRA LONG TURN
 10008-01-000

PIPE-11/2 X 240
 10195-01-000 (US)
 10195-02-000 (CAN)

ELBOW-11/2 X 90°
 EXTRA LONG TURN
 10008-01-000

PIPE-11/2 X 240
 10195-01-000 (US)
 10195-02-000 (CAN)

ELBOW-11/2 X 90°
 EXTRA LONG TURN
 10008-01-000

PIPE-3 X 240
 10197-01-000 (US)
 10197-02-000 (CAN)

COUPLING-RUBBER 3 X 3
 78406-01-000

ADAPTER-OFFSET REDUCER 3 X 11/2
 62422-01-000

ADAPTER
 109571-01-000(US)

ADAPTER-HOSE-3
 62416-01-000

HOSE-SEWER 3 ID
 10201-01-000

VALVE-DUAL .3 X 11/2
 70916-01-000

VENT-MECHANICAL
 79968-01-000

PIPE-11/2 X 240
 10195-01-000 (US)
 10195-02-000 (CAN)

COUPLING-1 1/2 H X H
 10115-01-000

GROMMET
 61607-01-000

TANK
 102050-02-000

CRADLE ASM
 56076-32-000

TANK
 74175-06-000

CRADLE ASM
 56076-21-000

PLATE-COVER
 94346-02-000

STAPLE
 5408-01-000(AR)

BRACKET
 95061-01-000(2)

SCREW
 G67-10-12B(2)

CLAMP
 62401-02-000

PLATE-COVER
 94346-02-000

STAPLE
 5408-01-000(AR)

BRACKET
 95061-01-000(2)

SCREW
 G67-10-12B(2)

CLAMP
 62401-02-000

PLATE-COVER
 94346-02-000

STAPLE
 5408-01-000(AR)

BRACKET
 95061-01-000(2)

SCREW
 G67-10-12B(2)

CLAMP
 62401-02-000

PLATE-COVER
 94346-02-000

STAPLE
 5408-01-000(AR)

BRACKET
 95061-01-000(2)

SCREW
 G67-10-12B(2)

CLAMP
 62401-02-000

TRIM P-TRAP EXTENSION TO FIT.

SECURE VENT TUBES TO FLOOR.

VENT PIPE MUST PROJECT 51 MM MIN AND 63.5 MM MAX ABOVE ROOF FOR PROPER FIT AND FUNCTION.

SEE DWG 61607-01-000 FOR INSTL OF GROMMET.

SEAL ALL AROUND SHOWER WITH SILICONE 78474-01-CHT.

FOR CAN UNITS EACH HOLDING TANK SHALL HAVE A CSA APPROVAL STAMPED NEAR THE TAPMO APPROVAL.

EXPOSED PIPE ABOVE ROOF TO BE PAINTED 37163-01-000.

ALL EXTERIOR OPENINGS AROUND PIPE TO BE SEALED WITH 69637-01-000.

ALL PIPE AND FITTINGS TO BE ASSEMBLED WITH SOLVENT 4020-01-000.

SLOPE OF TRAP ARM MUST BE 6 PER 300.

SLOPE OF HORIZONTAL PIPING TO BE 6 PER 305 MIN.

VIEW C-C
 SCALE: 0.2

SECTION A-A
 SCALE: 0.2

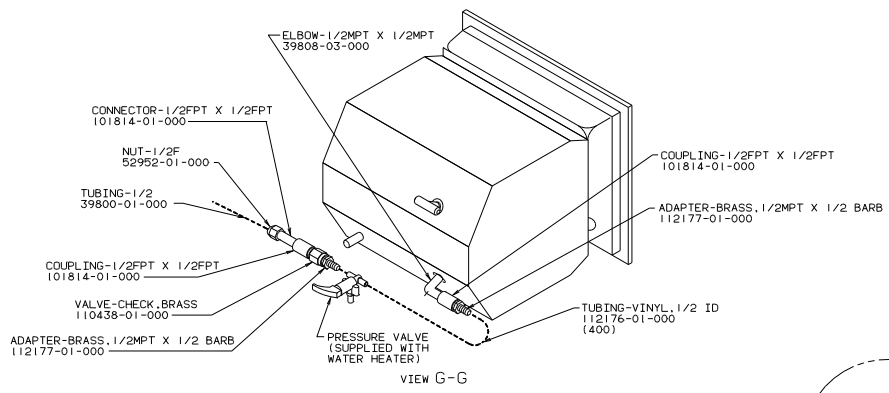
VIEW B-B
 SCALE: 0.2

UNSPECIFIED TOLERANCES ARE:		MATERIAL:	
DRP	±0.13	ONE-PLATE (19.01)	±0.13
PIPE	±0.13	TWO-PLATE (19.00)	±0.13
W/E	±0.13	ANGLE	±0.13
CDR	±0.13	INDUS. W/OLE PRODUCTION	±0.13

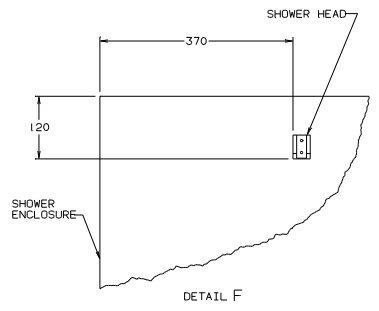
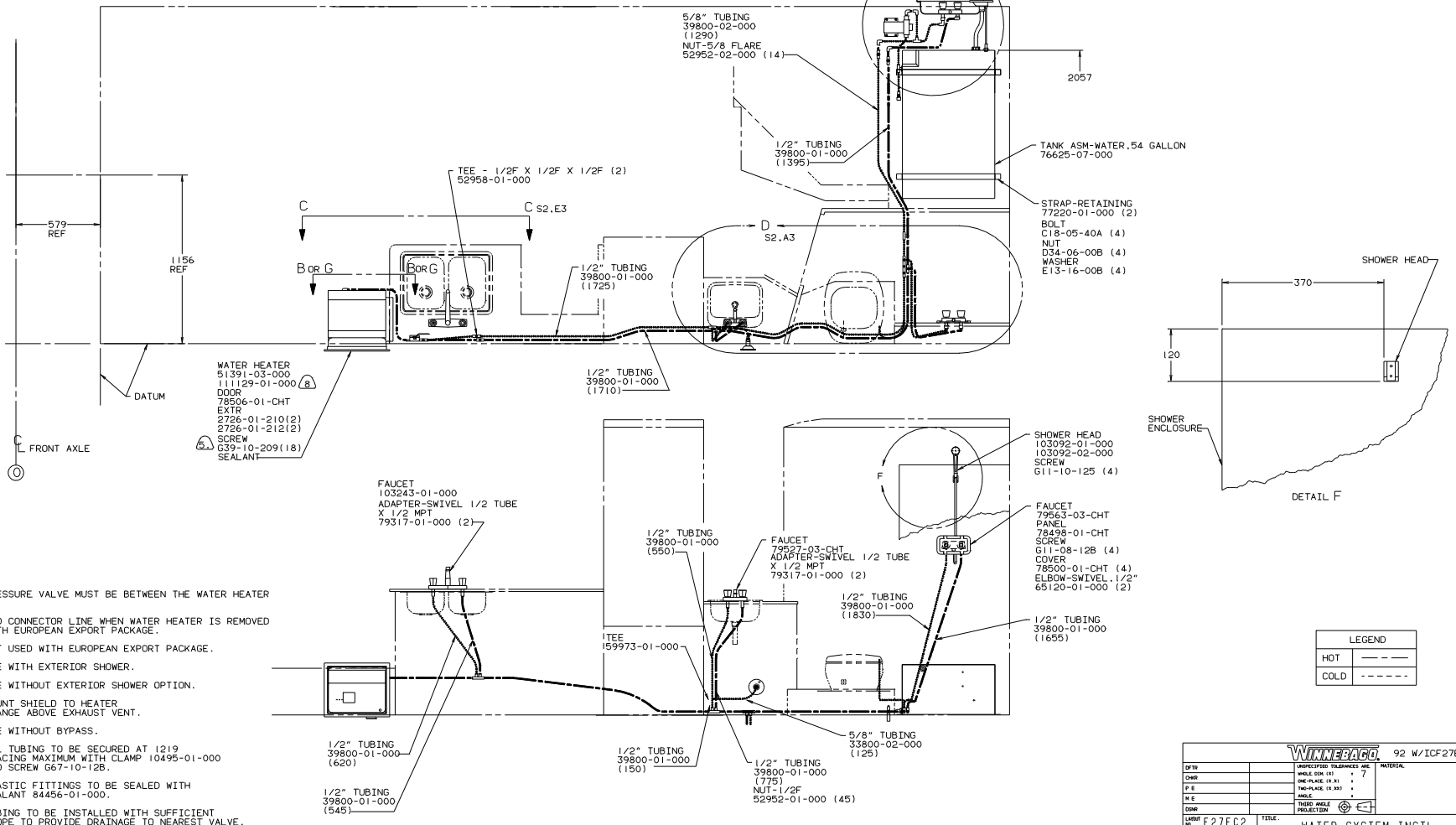
WINNEMAGO 92 W1CF27EC

DRAINAGE SYSTEM INSTL

102033



VIEW G-G



LEGEND

HOT	----
COLD	----

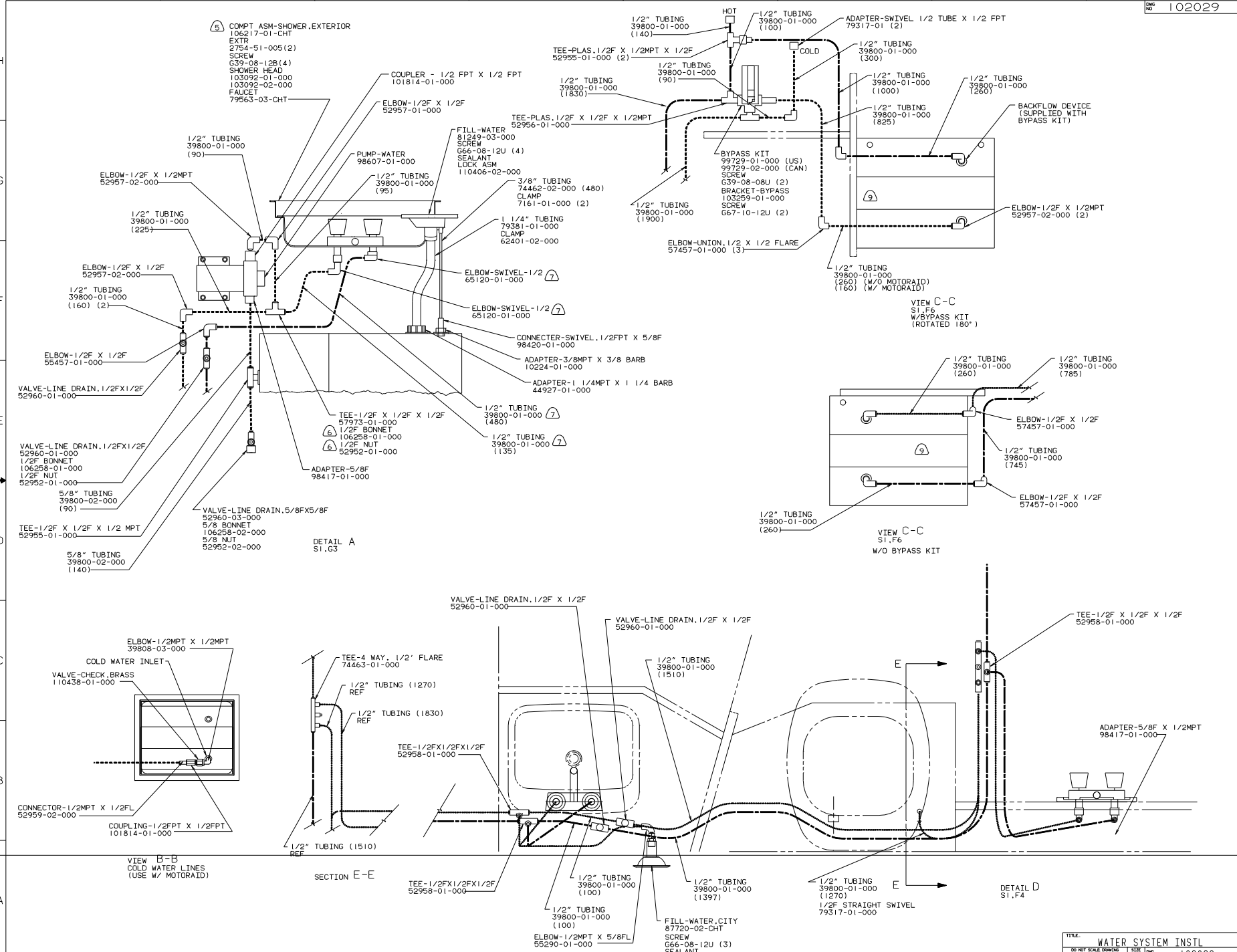
- 10 PRESSURE VALVE MUST BE BETWEEN THE WATER HEATER
9. ADD CONNECTOR LINE WHEN WATER HEATER IS REMOVED WITH EUROPEAN EXPORT PACKAGE.
 8. NOT USED WITH EUROPEAN EXPORT PACKAGE.
 7. USE WITH EXTERIOR SHOWER.
 6. USE WITHOUT EXTERIOR SHOWER OPTION.
 5. MOUNT SHIELD TO HEATER FLANGE ABOVE EXHAUST VENT.
 4. USE WITHOUT BYPASS.
3. ALL TUBING TO BE SECURED AT 1219 SPACING MAXIMUM WITH CLAMP 10495-01-000 AND SCREW 667-10-128.
 2. PLASTIC FITTINGS TO BE SEALED WITH SEALANT 84456-01-000.
 1. TUBING TO BE INSTALLED WITH SUFFICIENT SLOPE TO PROVIDE DRAINAGE TO NEAREST VALVE.

WINNEBAGO 92 W/ICF27EC

DATE	UNSPECIFIED TOLERANCES ARE MATERIAL
CHKD	SHALL OVER 101
DWG	ONE-PLACE 19 81
DWG	ONE-PLACE 19 801
DWG	ANGLE
DWG	TRUSS W/ANGLE PROJECTION

LABOR: F27EC2 TITLE: WATER SYSTEM INSTL
 102029

- COMPT ASM-SHOWER, EXTERIOR
106217-01-CHT
EXTR
2754-51-005(2)
SCREW
G39-08-12B(4)
SHOWER HEAD
103092-01-000
103092-02-000
FAUCET
79563-03-CHT



H
G
F
E
D
C
B
A

TITLE		WATER SYSTEM INSTL	
NO	REV	DATE	BY
1	1		
SHEET 2 OF 2		102029	