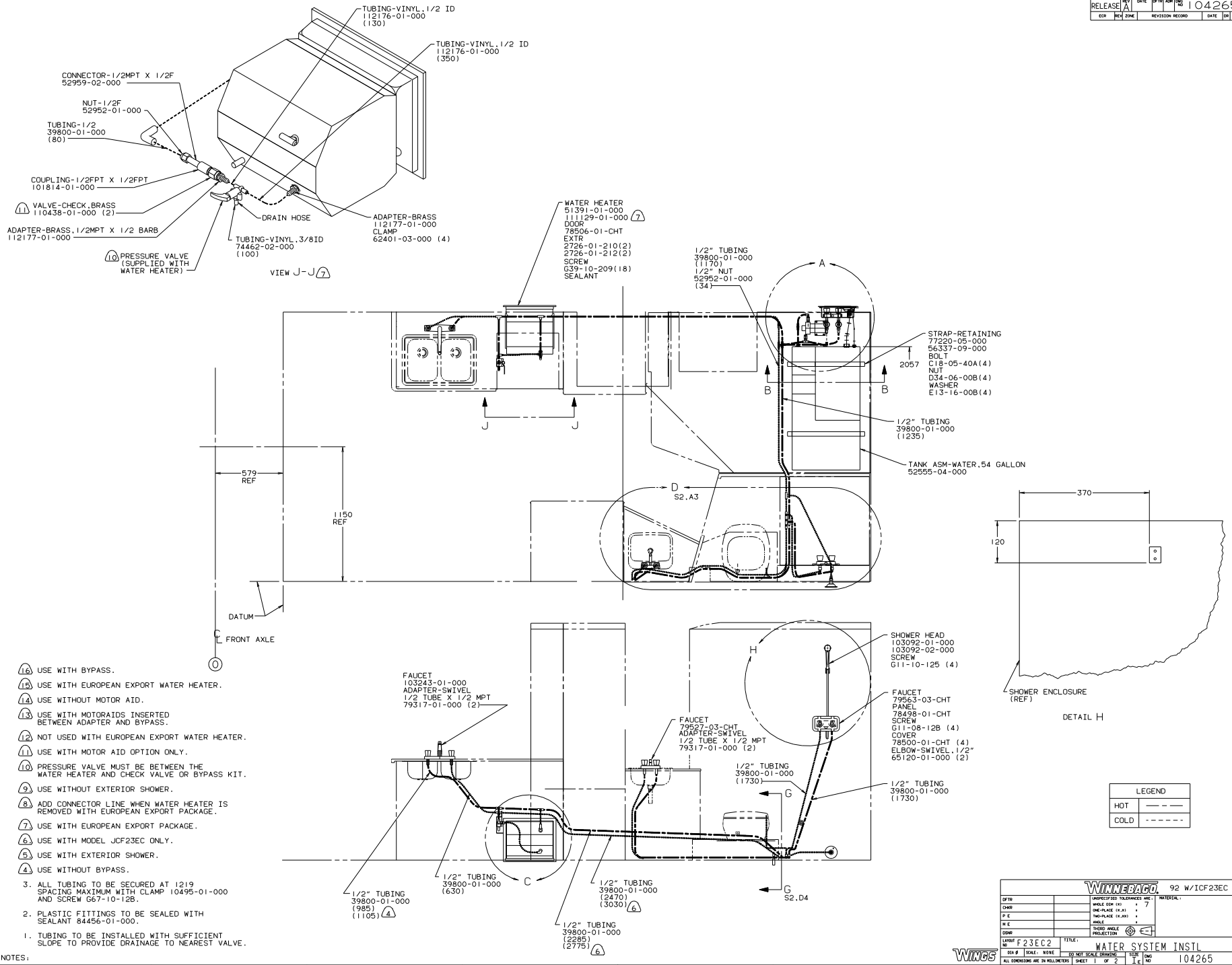


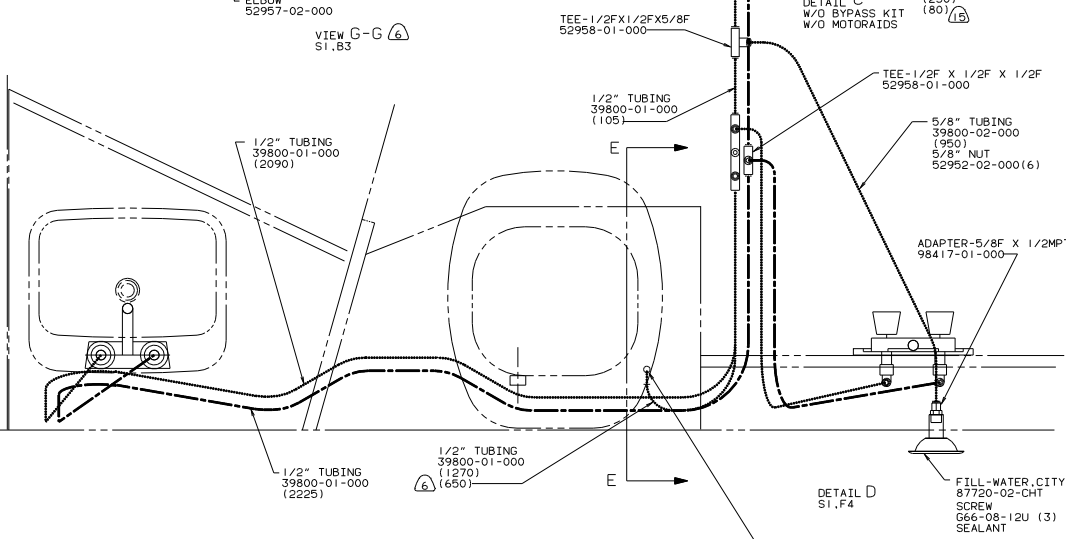
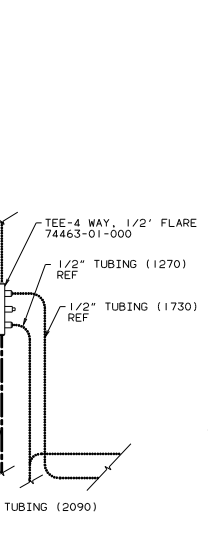
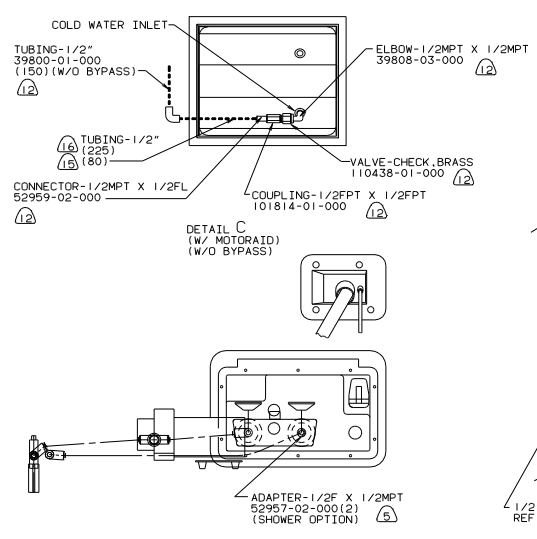
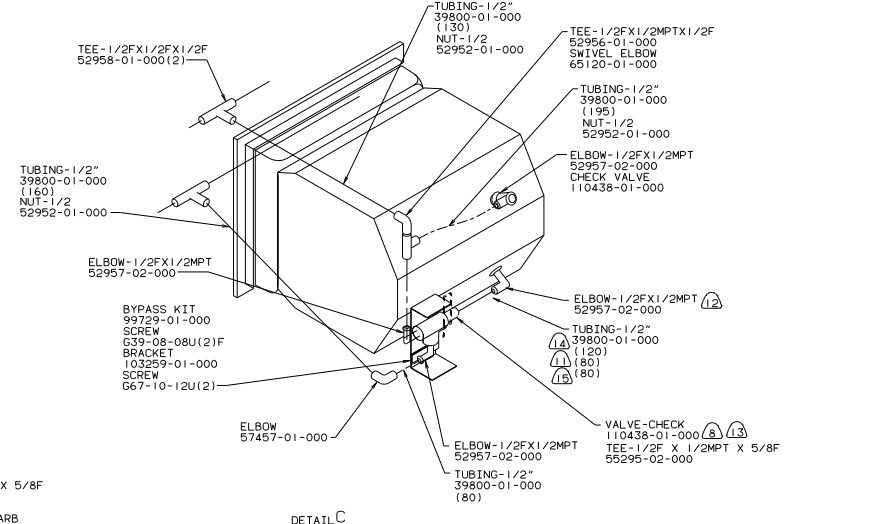
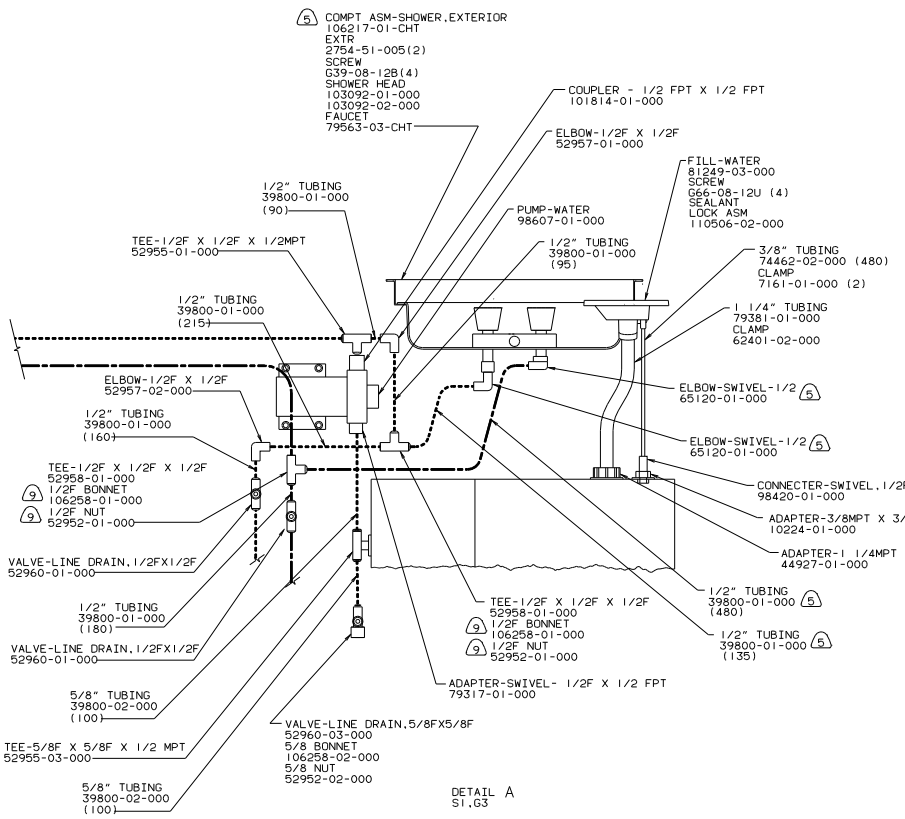
- ⑩ USE ON JCF23EC ONLY.
- ⑨ VENT PIPE MUST PROJECT 51 MM MIN AND 63.5 MM MAX ABOVE ROOF FOR PROPER FIT AND FUNCTION.
- ⑧ SEE DWG 61607-01-000 FOR INSTL OF GROMMET.
- ⑦ SEAL ALL AROUND SHOWER WITH SILICONE 78474-01-CHT.
- 6. FOR CAN UNITS EACH HOLDING TANK SHALL HAVE A CSA APPROVAL STAMPED NEAR THE TAPMO APPROVAL.
- 5. EXPOSED PIPE ABOVE ROOF TO BE PAINTED 37163-01-000.
- 4. ALL EXTERIOR OPENINGS AROUND PIPE TO BE SEALED WITH 69637-01-000.
- 3. ALL PIPE AND FITTINGS TO BE ASSEMBLED WITH SOLVENT 4020-01-000.
- 2. SLOPE OF TRAP ARM MUST BE 6 PER 300.
- 1. SLOPE OF HORIZONTAL PIPING TO BE 6 PER 305 MIN.

NOTES:

WINNAPAC 92 W/ICF23EC	
DATE	UNSPECIFIED TOLERANCES ARE MATERIAL
CHNG	UNLESS OTHERWISE SPECIFIED
SIZE	ONE PLACE (9.51)
FILE	TWO PLACE (9.51)
SCALE	THREE PLACE (9.51)
CODE	THREE PLACE PRODUCTION
LAUNCH F23EC2	DRAINAGE SYSTEM INSTL
REV. NO. SCALE 0:1	DO NOT SCALE DRAWING
SHEET 1 OF 1	DATE 11/11/01
ALL DIMENSIONS ARE IN MILLIMETERS	104223



- 16 USE WITH BYPASS.
  - 15 USE WITH EUROPEAN EXPORT WATER HEATER.
  - 14 USE WITHOUT MOTOR AID.
  - 13 USE WITH MOTOR AIDS INSERTED BETWEEN ADAPTER AND BYPASS.
  - 12 NOT USED WITH EUROPEAN EXPORT WATER HEATER.
  - 11 USE WITH MOTOR AID OPTION ONLY.
  - 10 PRESSURE VALVE MUST BE BETWEEN THE WATER HEATER AND CHECK VALVE OR BYPASS KIT.
  - 9 USE WITHOUT EXTERIOR SHOWER.
  - 8 ADD CONNECTOR LINE WHEN WATER HEATER IS REMOVED WITH EUROPEAN EXPORT PACKAGE.
  - 7 USE WITH EUROPEAN EXPORT PACKAGE.
  - 6 USE WITH MODEL JCF23EC ONLY.
  - 5 USE WITH EXTERIOR SHOWER.
  - 4 USE WITHOUT BYPASS.
3. ALL TUBING TO BE SECURED AT 1219 SPACING MAXIMUM WITH CLAMP 10495-01-000 AND SCREW 667-10-128.
2. PLASTIC FITTINGS TO BE SEALED WITH SEALANT 84456-01-000.
1. TUBING TO BE INSTALLED WITH SUFFICIENT SLOPE TO PROVIDE DRAINAGE TO NEAREST VALVE.



SECTION B-B S1.G3

SECTION E-E