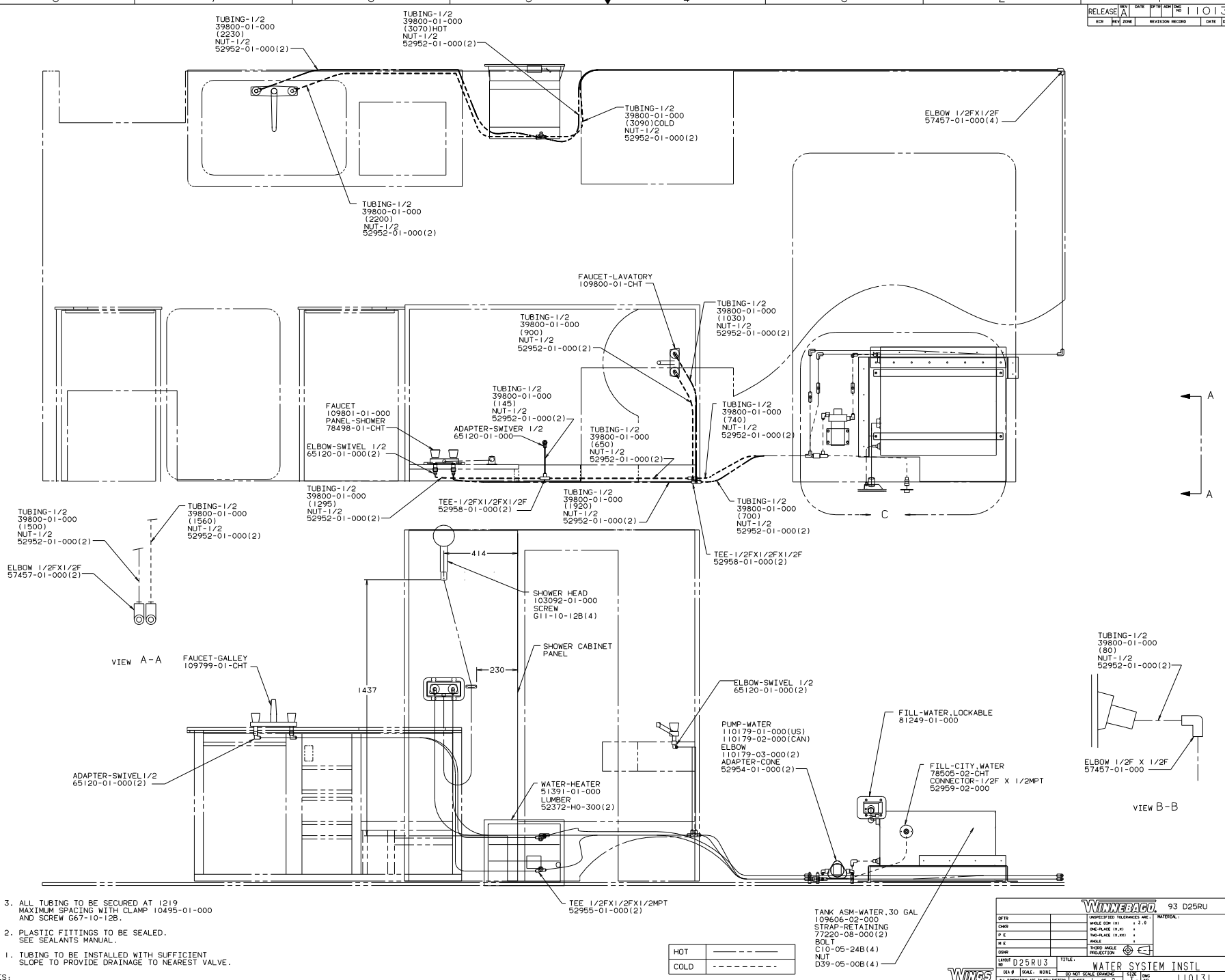


8. ALL PIPE TO BE SUPPORTED AT 1200 INTERVALS MAXIMUM.
7. SEE DWG 61607-01-000 FOR INSTL OF GROMMETS.
6. SEAL ALL AROUND SHOWER PAN.
5. VENT PIPE MUST PROJECT 51 MM MIN TO 64 MM MAX ABOVE ROOF FOR PROPER FIT AND FUNCTION.
4. ALL EXTERIOR OPENINGS AROUND PIPE TO BE SEALED.
3. ALL PIPE AND FITTINGS TO BE ASSEMBLED WITH SOLVENT 4020-01-000.
2. SLOPE OF TRAP MUST BE 6 PER 300 MINIMUM.
1. SLOPE OF HORIZONTAL PIPING TO BE 6 PER 300 MINIMUM.

NOTES:

WINNEMAGO 93 D25RU	
DPT#	UNSPECIFIED TOLERANCES ARE MATERIAL
CHRP	ANGLE DIM (IN) 1 : 1
TRF	FACE-PLACE (IN) 1 : 1
PLC	FACE-PLACE (IN) 1 : 1
PLC	FACE-PLACE (IN) 1 : 1
CDR	TROD W/OLE PROJECTION
LARG#	D25RU3
REV #	SCALE
NO	NO
ALL DIMENSIONS ARE IN MILLIMETERS	SHEET 1 OF 1
DRAINAGE SYSTEM INSTL	
110130	



- ALL TUBING TO BE SECURED AT 12 1/2" MAXIMUM SPACING WITH CLAMP 10495-01-000 AND SCREW G67-10-12B.
- PLASTIC FITTINGS TO BE SEALED. SEE SEALANTS MANUAL.
- TUBING TO BE INSTALLED WITH SUFFICIENT SLOPE TO PROVIDE DRAINAGE TO NEAREST VALVE.

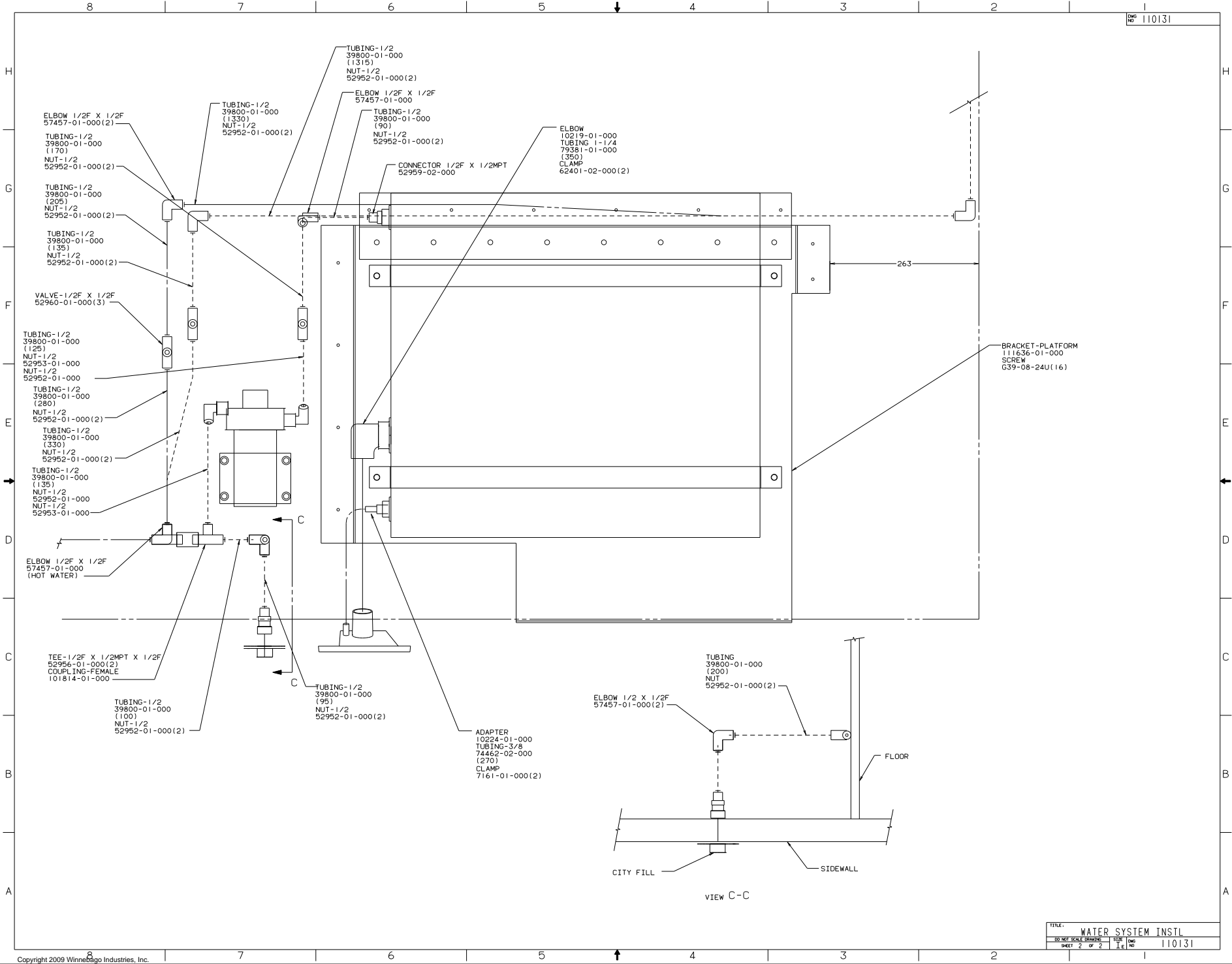
HOT	—————
COLD	- - - - -



WINNAPCO 93 D25RU

UNSPECIFIED TOLERANCES ARE: MATERIAL:
 HOLE DIA (IN) ± 0.10
 ONE-PLATE (IN.XI) ± 0.05
 TWO-PLATE (IN.XI) ± 0.05
 ANGLE ± 0.05
 THRU HOLES ± 0.05

93 D25RU3 TITLE: WATER SYSTEM INSTL
 DIA # SCALE: NONE 30 NET SCALE DRAWING SIZE: 11.0 X 17.0
 ALL DIMENSIONS ARE IN MILLIMETERS SHEET 1 OF 2 110131



ELBOW 1/2F X 1/2F
57457-01-000(2)

TUBING-1/2
39800-01-000
(170)

NUT-1/2
52952-01-000(2)

TUBING-1/2
39800-01-000
(1330)

NUT-1/2
52952-01-000(2)

TUBING-1/2
39800-01-000
(1315)

NUT-1/2
52952-01-000(2)

ELBOW 1/2F X 1/2F
57457-01-000

TUBING-1/2
39800-01-000
(90)

NUT-1/2
52952-01-000(2)

ELBOW
10219-01-000

TUBING 1-1/4
79381-01-000
(350)

CLAMP
62401-02-000(2)

CONNECTOR 1/2F X 1/2MPT
52959-02-000

TUBING-1/2
39800-01-000
(205)

NUT-1/2
52952-01-000(2)

TUBING-1/2
39800-01-000
(135)

NUT-1/2
52952-01-000(2)

VALVE-1/2F X 1/2F
52960-01-000(3)

TUBING-1/2
39800-01-000
(125)

NUT-1/2
52953-01-000

NUT-1/2
52952-01-000

TUBING-1/2
39800-01-000
(280)

NUT-1/2
52952-01-000(2)

TUBING-1/2
39800-01-000
(330)

NUT-1/2
52952-01-000(2)

TUBING-1/2
39800-01-000
(135)

NUT-1/2
52952-01-000

NUT-1/2
52953-01-000

ELBOW 1/2F X 1/2F
57457-01-000
(HOT WATER)

TEE-1/2F X 1/2MPT X 1/2F
52956-01-000(2)

COUPLING-FEMALE
101614-01-000

TUBING-1/2
39800-01-000
(100)

NUT-1/2
52952-01-000(2)

TUBING-1/2
39800-01-000
(95)

NUT-1/2
52952-01-000(2)

ADAPTER
10224-01-000

TUBING-3/8
74462-02-000
(270)

CLAMP
7161-01-000(2)

ELBOW 1/2 X 1/2F
57457-01-000(2)

TUBING
39800-01-000
(200)

NUT
52952-01-000(2)

BRACKET-PLATFORM
111636-01-000

SCREW
G39-08-24U(16)

263

