

8. ALL PIPE TO BE SUPPORTED AT 1200 INTERVALS MAXIMUM.
7. SEE DWG 61607-01-000 FOR INSTL OF GROMMET.
6. SEAL ALL AROUND SHOWER PAN WITH SILICONE 78474-01-CHT.
5. VENT PIPE MUST PROJECT 51 MM MIN TO 64 MM MAX ABOVE ROOF FOR PROPER FIT AND FUNCTION.
4. ALL EXTERIOR OPENINGS AROUND PIPE TO BE SEALED WITH 69637-01-000.
3. ALL PIPE AND FITTINGS TO BE ASSEMBLED WITH SOLVENT 4020-01-000.
2. SLOPE OF TRAP MUST BE 6 PER 300 MINIMUM.
1. SLOPE OF HORIZONTAL PIPING TO BE 6 PER 300 MINIMUM.

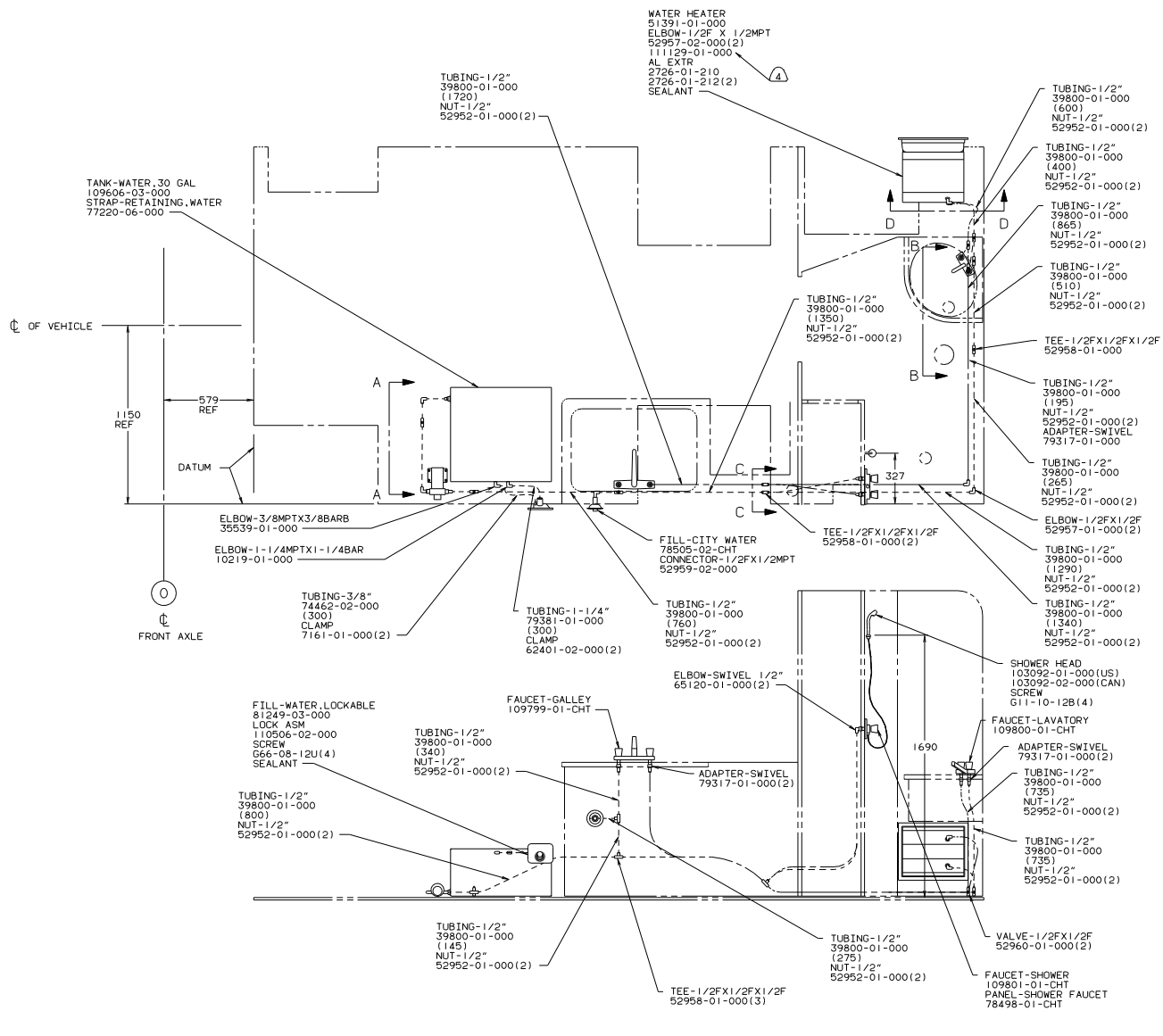
WINNAGO 93 D22RB

DATE	REV	DATE	BY	FIG
				109815

UNSPECIFIED TOLERANCES ARE: MATERIAL: .0005 IN (1/2000) INCHES
 DIMENSIONS ARE IN MILLIMETERS

WINNAGO D22RB
DRAINAGE SYSTEM INSTL

SCALE: NONE
 SHEET 1 OF 1



- Ⓜ USE WITH MOTOR AID OPTION ONLY.
- 5. PRESSURE VALVE MUST BE BETWEEN THE WATER HEATER AND CHECK VALVE OR BYPASS KIT.
- Ⓜ USE WITH EUROPEAN EXPORT PACKAGE.
- 3. ALL TUBING TO BE SECURED AT 1219 MAXIMUM SPACING WITH CLAMP 10495-01-000 AND SCREW G67-10-12B.
- 2. PLASTIC FITTINGS TO BE SEALED WITH SEALANT 84456-01-000.
- 1. TUBING TO BE INSTALLED WITH SUFFICIENT SLOPE TO PROVIDE DRAINAGE TO NEAREST VALVE.

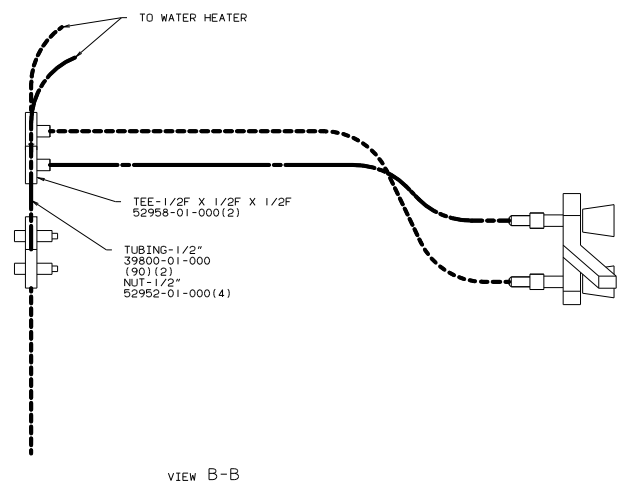


WINNEBAGO 93 D22RB

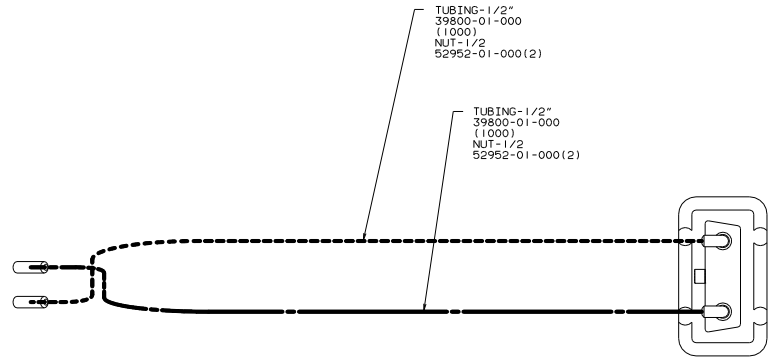
DATE	UNSPECIFIED TOLERANCES ARE:	MATERIAL
CHP	HALF DIM (X)	1/2
F/F	ONE-PLACE (X.X)	1
H/E	TWO-PLACE (X.XXX)	1
H/E	ANGLE	1
CDR	THIRD ANGLE PROJECTION	

LANP# D22RB3 TITLE: WATER SYSTEM INSTL
 DIA # SCALE: NONE 30 NET SCALE DRAWING SHEET 1 OF 2
 ALL DIMENSIONS ARE IN MILLIMETERS

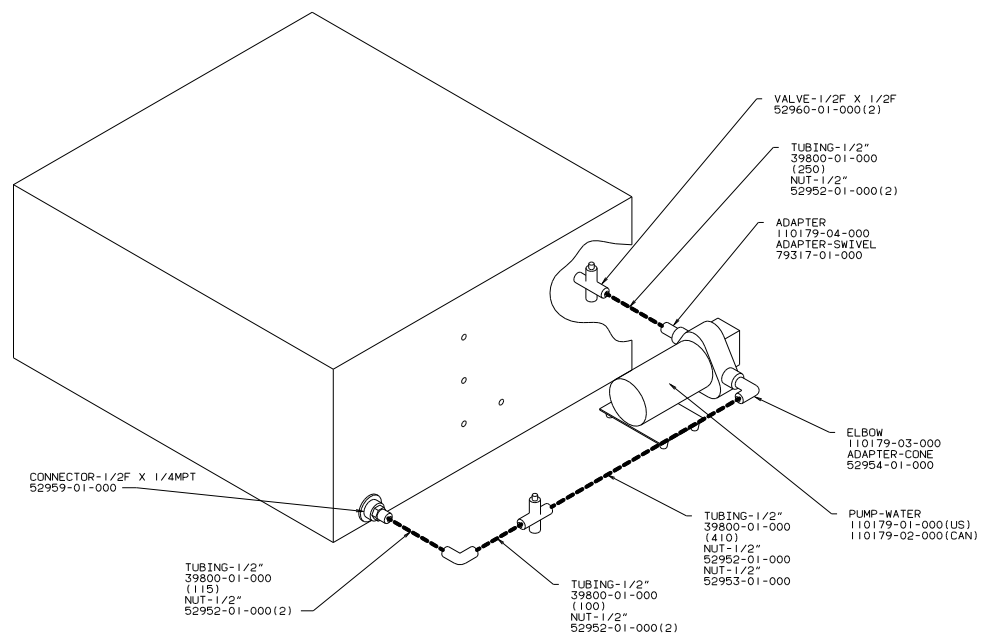
WINNCO REF: 107007 109749



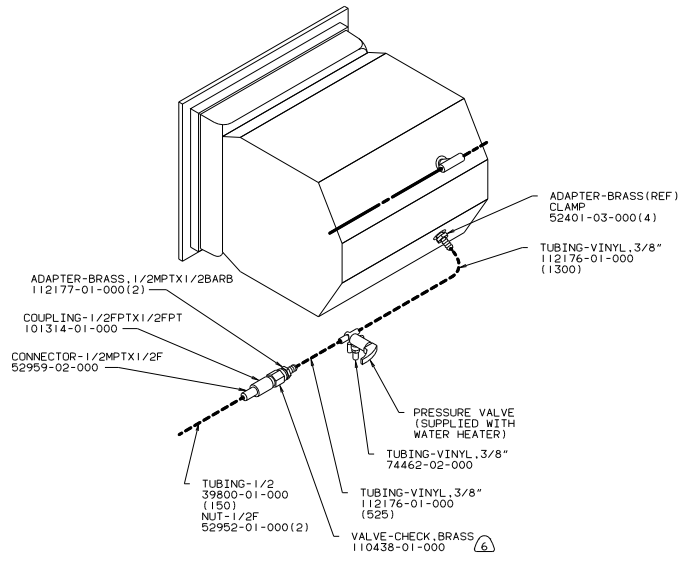
VIEW B-B



VIEW C-C



VIEW A-A



VIEW D-D