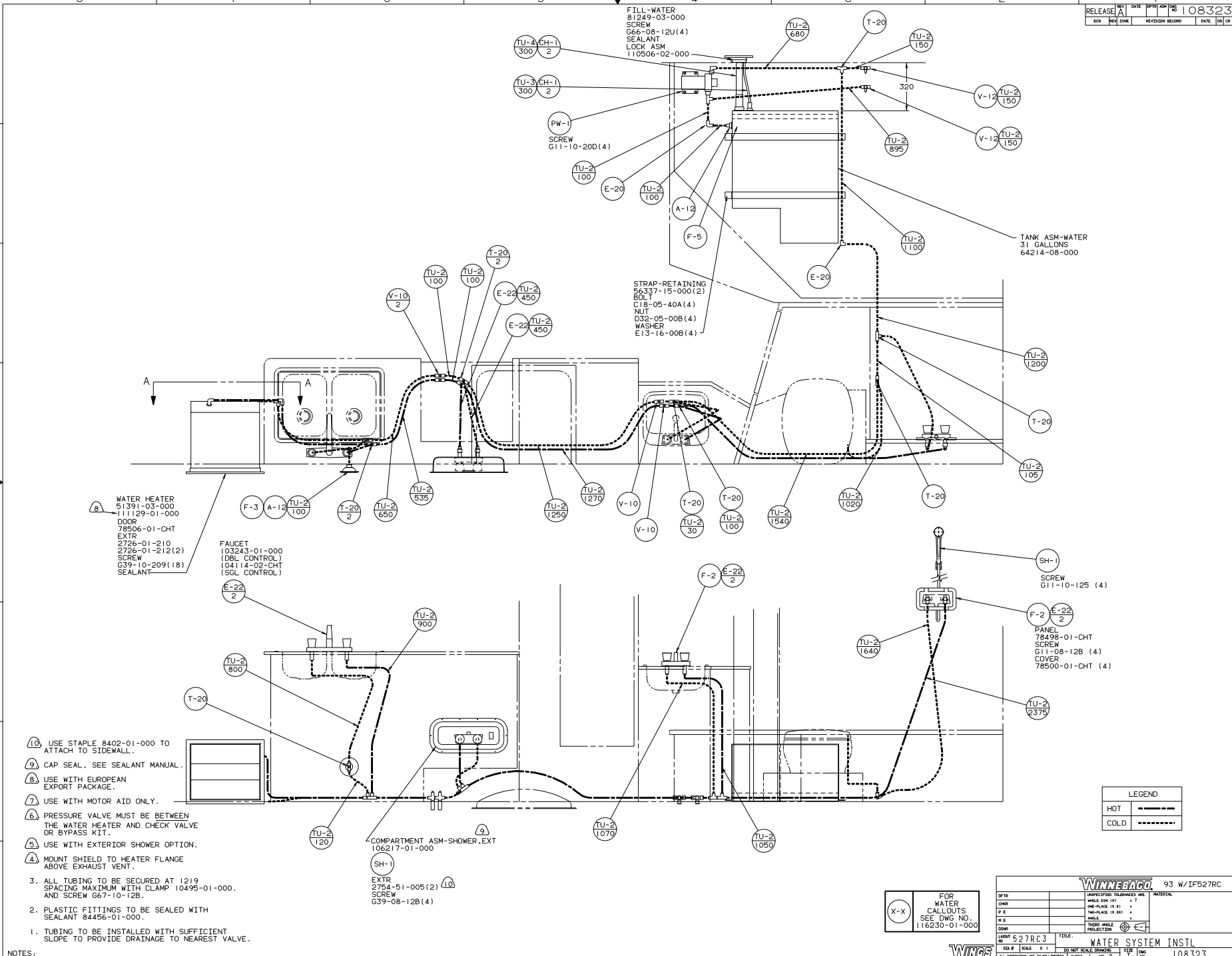
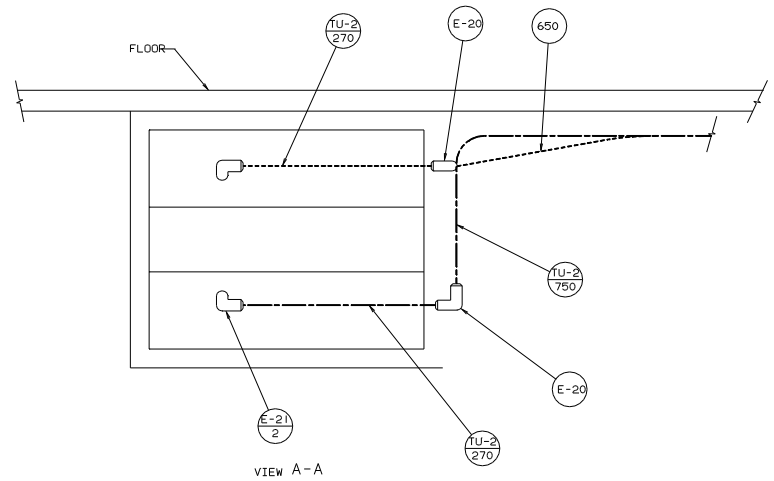


- (9) VENT PIPE MUST PROJECT 51 MM MIN AND 63.5 MM MAX ABOVE ROOF FOR PROPER FIT AND FUNCTION.
 - (8) SEE DWG 61607-01-000 FOR INSTL OF GROMMET.
 - (7) SEAL ALL AROUND SHOWER WITH SILICONE 78474-01-CHT.
 - 6. FOR CAN UNITS EACH HOLDING TANK SHALL HAVE A CSA APPROVAL STAMPED NEAR THE TAPMO APPROVAL.
 - 5. EXPOSED PIPE ABOVE ROOF TO BE PAINTED 37163-01-000.
 - 4. ALL EXTERIOR OPENINGS AROUND PIPE TO BE SEALED.
 - 3. ALL PIPE AND FITTINGS TO BE ASSEMBLED WITH SOLVENT 4020-01-000.
 - 2. SLOPE OF TRAP ARM MUST BE 6 PER 300.
 - 1. SLOPE OF HORIZONTAL PIPING TO BE 6 PER 305 MIN.
- (12) NOT USED ON CANADIAN UNITS.
 - (11) TRIM P-TRAP EXTENSION TO FIT.
 - (10) SECURE VENT TUBES TO FLOOR.

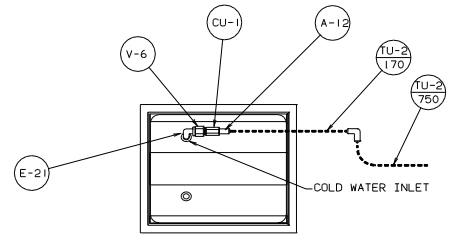
(X-X) FOR DRAINAGE CALLOUTS SEE DWG NO. 116229-01-000

WINNEBAGO		92 W/1F527RC
DATE	UNSPECIFIED TOLERANCES ARE:	MATERIAL:
CHG	WHOLE DIM (31)	
REV	ONE-PLACE (19, 21)	
REV	TWO-PLACE (19, 20)	
REV	ANGLE	
REV	THIRD ANGLE PROJECTION	
CODE		
LAUNCH # 427RC2	TITLE: DRAINAGE SYSTEM INSTL	105328
REV #	SCALE: 0:1	300 NET SCALE DRAWING
ALL DIMENSIONS ARE IN MILLIMETERS	SHEET 1 OF 1	FILE NO

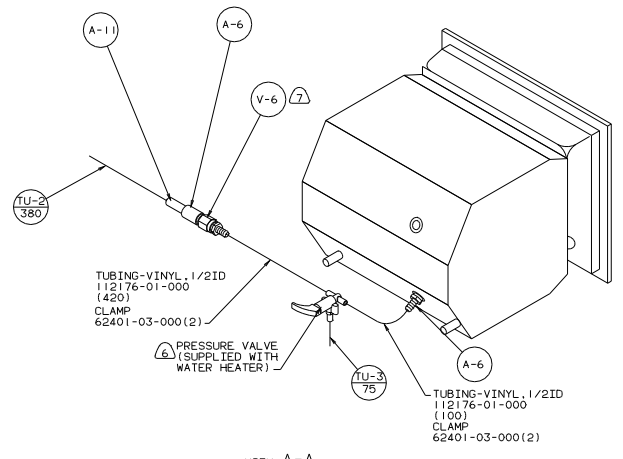




VIEW A-A



VIEW A-A WITH MOTORAID (COLD WATER)



VIEW A-A (EUROPEAN)

93 W/IF527RC

TITLE:		WATER SYSTEM INSTL	
30 NET SCALE DRAWING	SIZE	1/4	1.0
SHEET 2	OF 2	REV	NO
			108323