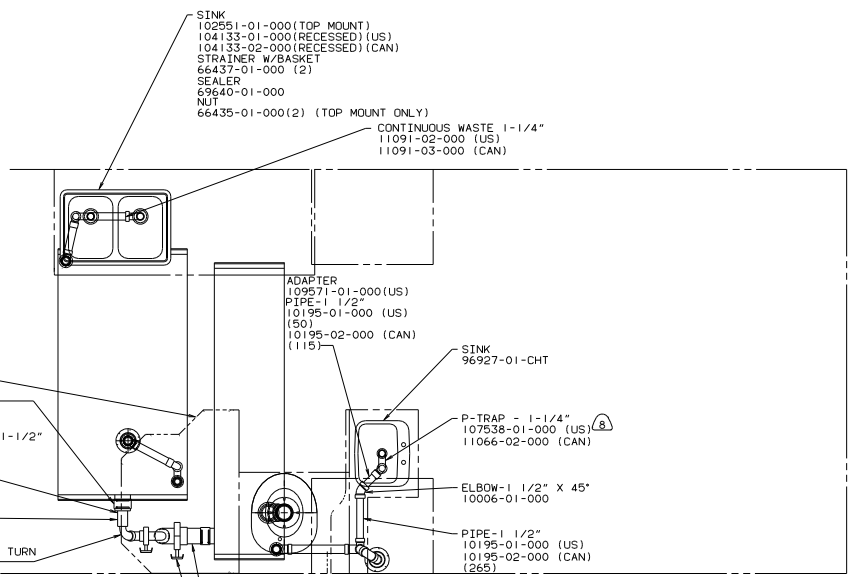
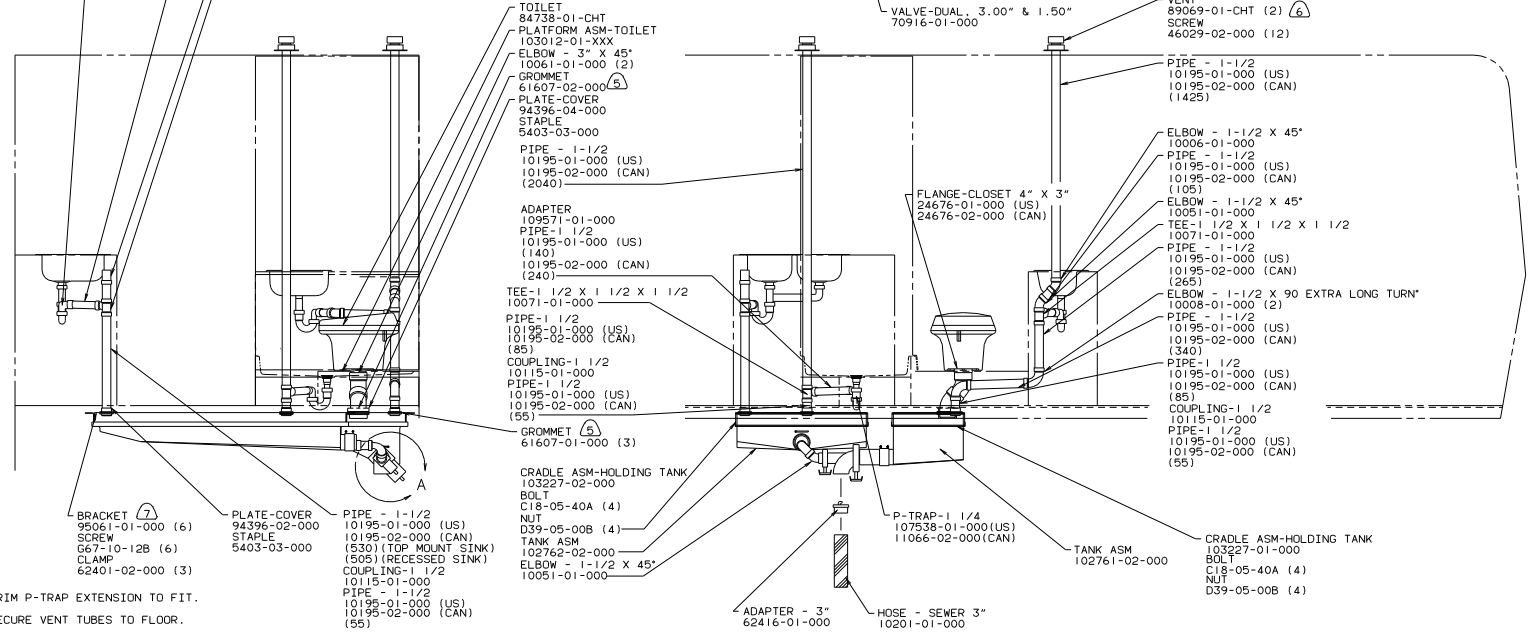


- SHOWER INSTL-ENCLOSURE 102801-01-000
- STRAINER 66729-01-000
- SEALER 69736-01-000
- NUT 66435-01-000
- WASHER 69736-01-000
- TAILPIECE 11069-02-000
- NUT 66436-01-000
- PLATFORM ASM-SHOWER 103011-01-XXX
- P-TRAP - 1-1/4" 107538-01-000 (US)
- 11066-02-000 (CAN)



- P-TRAP - 1-1/4" 107538-01-000 (US)
 11071-01-000 (CAN)
- ADAPTER 109571-01-000(US)
 PIPE-1 1/2" 10195-01-000 (US) (80)
 10195-02-000 (CAN) (115)
- VENT - MECHANICAL 79968-01-000
- TEE-1 1/2 X 1 1/2 X 1 1/2 10071-01-000



- (A) TRIM P-TRAP EXTENSION TO FIT.
 - (B) SECURE VENT TUBES TO FLOOR.
 - (C) VENT PIPE MUST PROJECT 51 MINIMUM TO 64 MAXIMUM ABOVE ROOF FOR PROPER FIT AND FUNCTION.
 - (D) SEE DWG 61607-01-000 FOR INSTALLATION OF GROMMET.
- ALL EXTERIOR OPENINGS AROUND PIPE TO BE SEALED WITH 69637-01-000.
 - ALL PIPE AND FITTINGS TO BE ASSEMBLED WITH SOLVENT 4020-01-000.
 - SLOPE OF TRAP ARM MUST BE 6 PER 305.
 - SLOPE OF HORIZONTAL PIPING TO BE 6 PER 305.

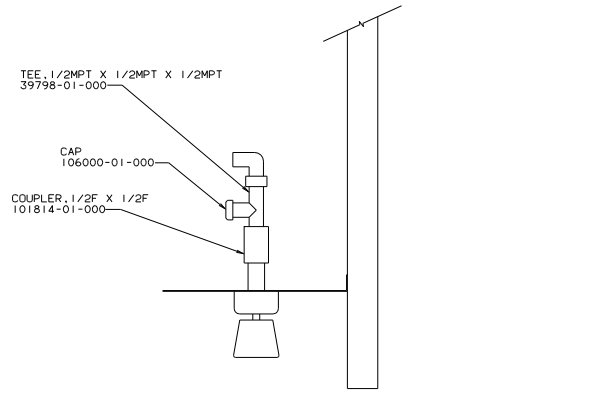
WINNERCO 91 W/IF327R0

DATE	ISSUED TO: TOLERANCES ARE:	MATERIAL:
DRW	UNLESS SHOWN OTHERWISE	
P.E.	UNLESS SHOWN OTHERWISE	
P.L.	UNLESS SHOWN OTHERWISE	
DATE	UNLESS SHOWN OTHERWISE	

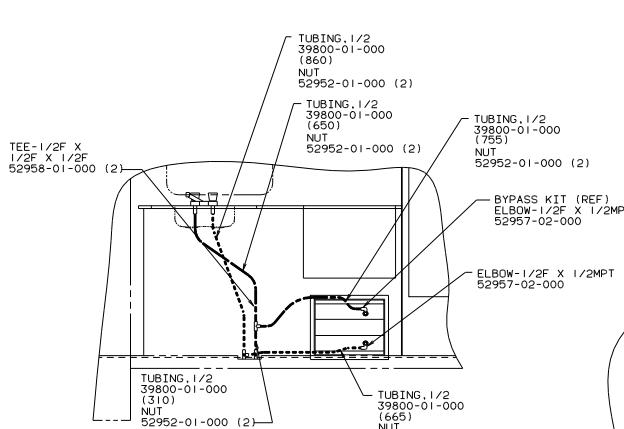
NO. 327R01 TITLE: DRAINAGE SYSTEM INSTL

SCALE: 1/8" = 1'-0" SHEET 1 OF 1

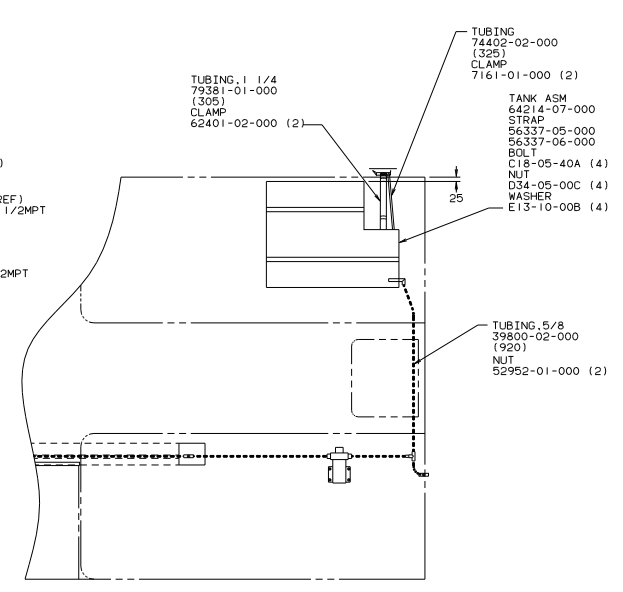
WINNERCO 103238



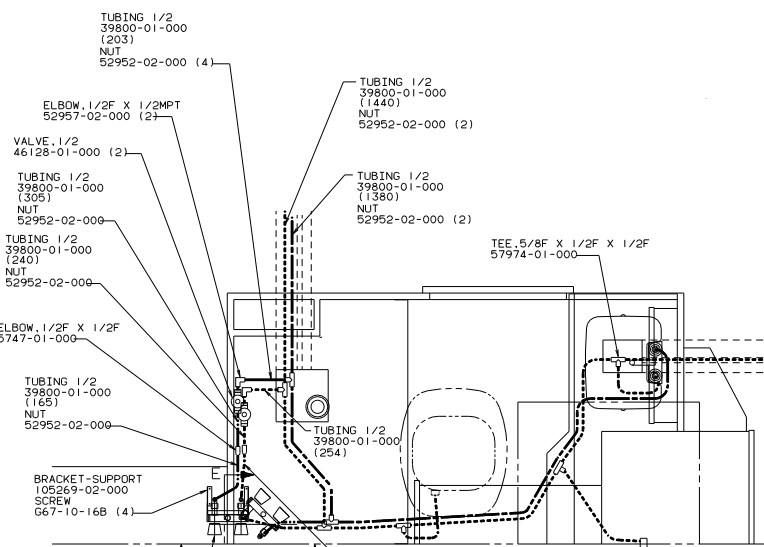
VIEW E-E



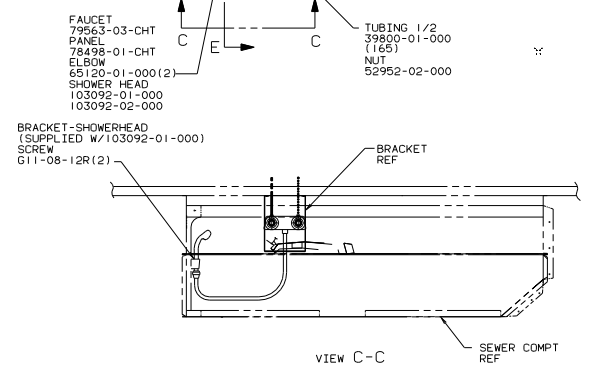
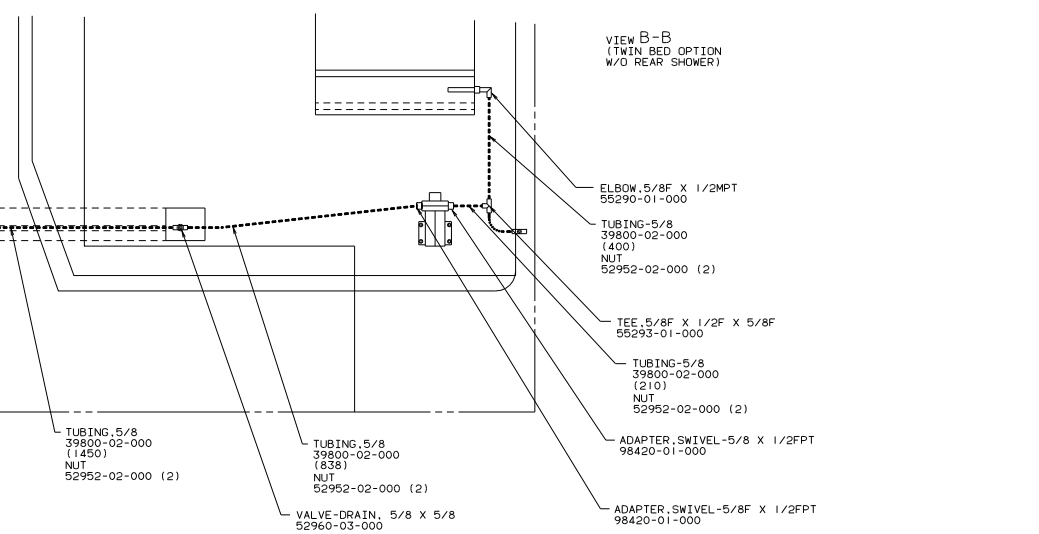
VIEW A-A (W/O BYPASS)



VIEW B-B (TWIN BED OPTION W/O REAR SHOWER)



VIEW B-B (EXTERIOR SHOWER OPTION)



VIEW C-C

TITLE: WATER SYSTEM INSTL	
30 NET SCALE DRAWING	REV 1
SHEET 2 OF 2	DATE 105206