

H

G

F

E

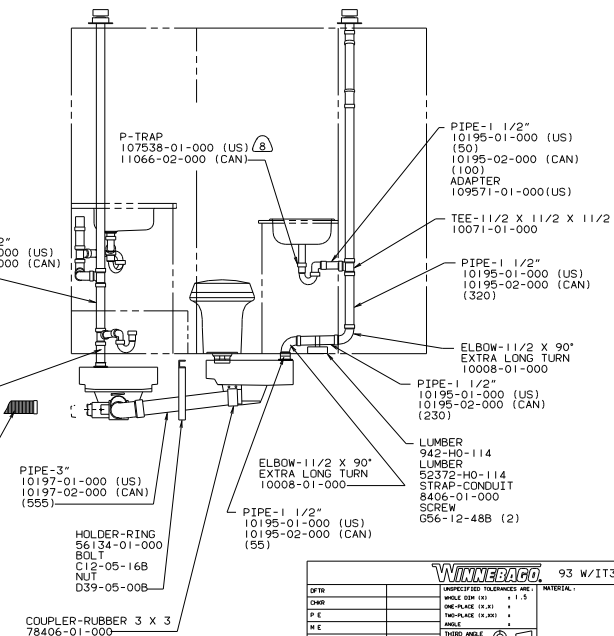
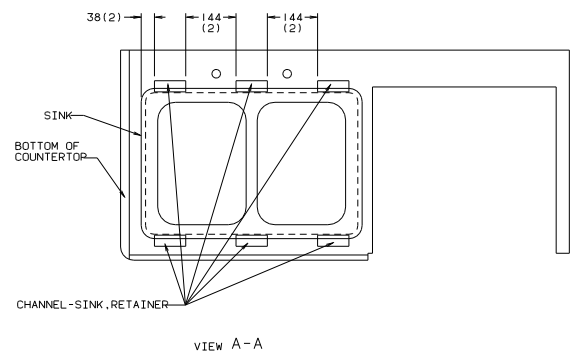
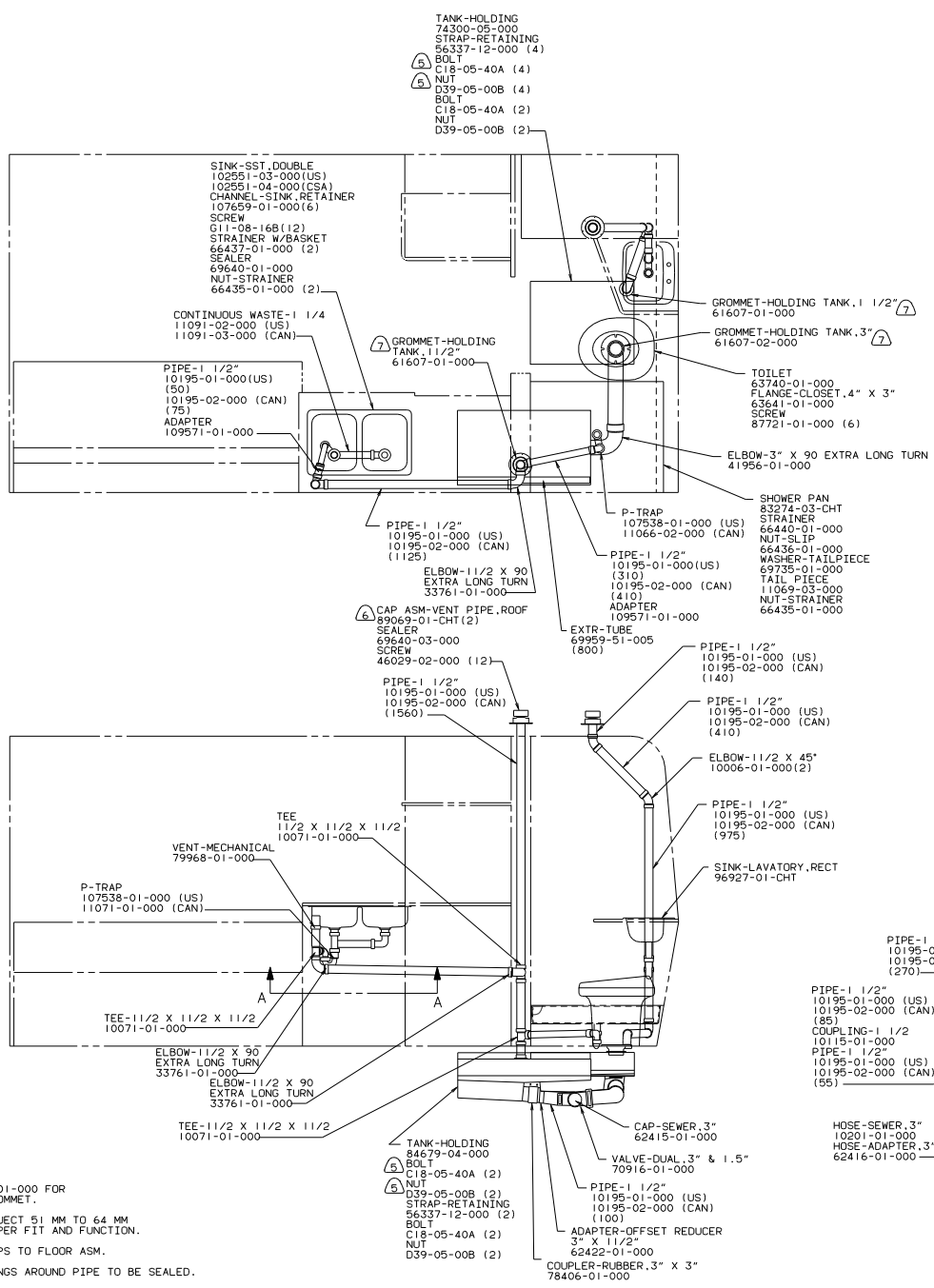
D

C

B

A

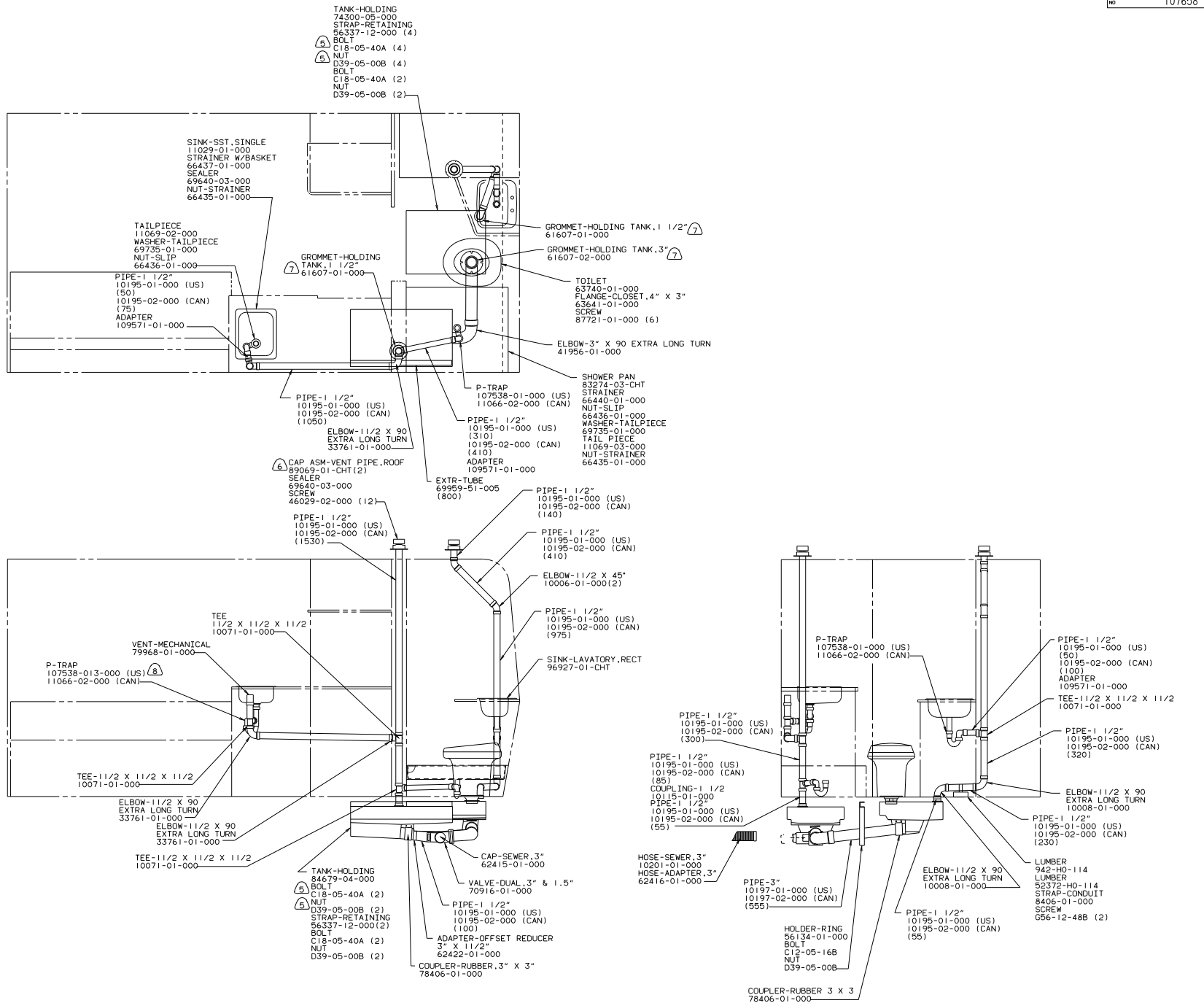
A

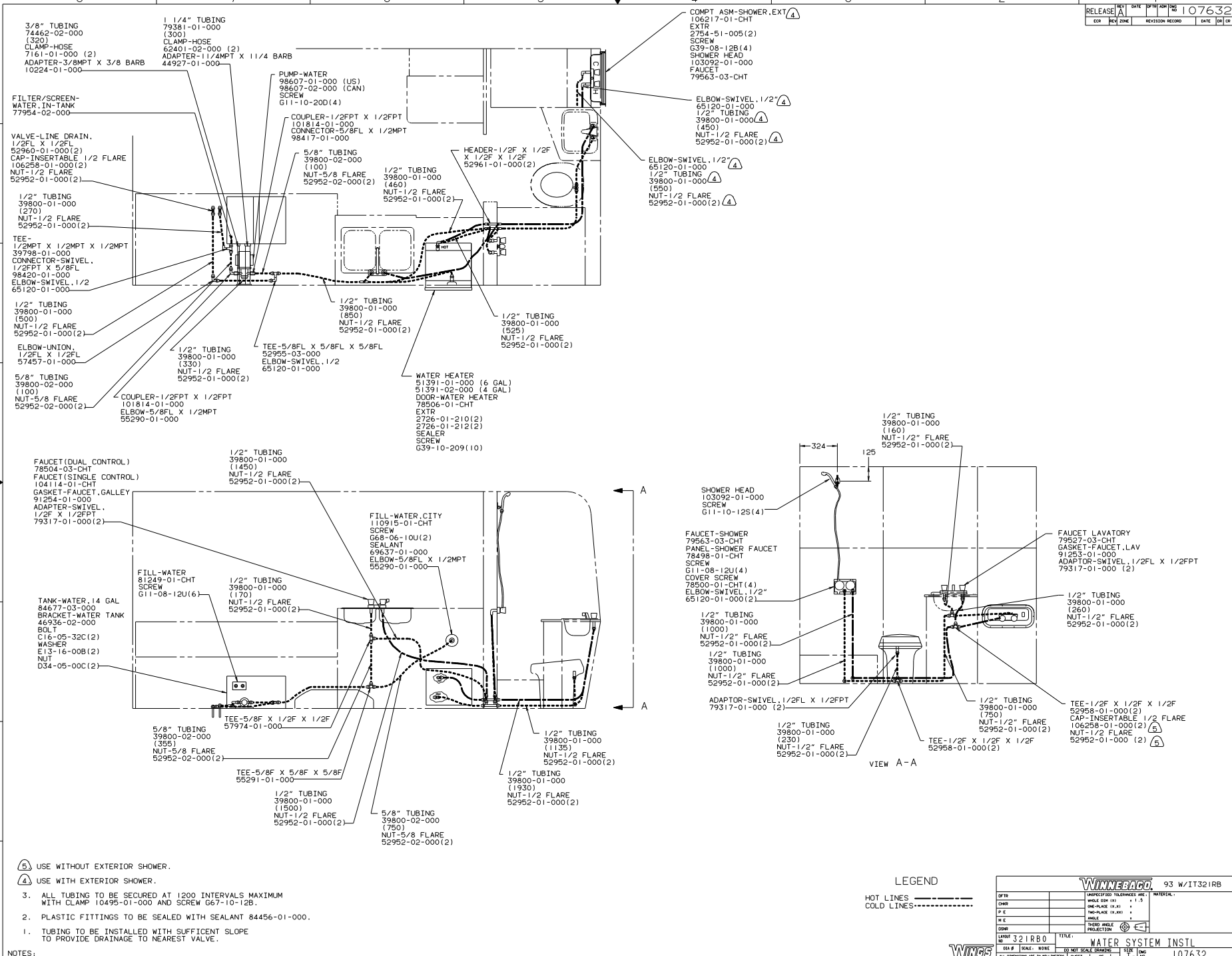


- ① SEE DRAWING 61607-01-000 FOR INSTALLATION OF GROMMET.
- ② VENT PIPE MUST PROJECT 51 MM TO 64 MM ABOVE ROOF FOR PROPER FIT AND FUNCTION.
- ③ USED TO MOUNT STRAPS TO FLOOR ASM.
- 4. ALL EXTERIOR OPENINGS AROUND PIPE TO BE SEALED.
- 3. ALL PIPE AND FITTINGS TO BE ASSEMBLED WITH SOLVENT 4020-01-000.
- 2. SLOPE OF TRAP ARM MUST BE 21 PER METER.
- 1. SLOPE OF HORIZONTAL PIPING TO BE 10 PER METER MINIMUM.

NOTES:

WINNAPCO 93 W/1T321RB	
DATE	UNSPECIFIED TOLERANCES ARE: MATERIAL
CHNG	WHOLE DIM (IN) ± 1/16
SIZE	ONE-PLATE (IN, IN) ±
FIN	ONE-PLATE (IN, IN) ±
DR	ANGLE
CDR	TRUSS ANGLE PROJECTION
LAUNCH 321RBO	TITLE: DRAINAGE SYSTEM INSTL
DATE: 01/01/00	SCALE: 1/4" = 1'-0"
NO. SHEETS: 1	SHEET: 1 OF 2
REF: 100084	107658





- (S) USE WITHOUT EXTERIOR SHOWER.
  - (A) USE WITH EXTERIOR SHOWER.
3. ALL TUBING TO BE SECURED AT 1200 INTERVALS MAXIMUM WITH CLAMP 10495-01-000 AND SCREW G67-10-12B.
  2. PLASTIC FITTINGS TO BE SEALED WITH SEALANT 84456-01-000.
  1. TUBING TO BE INSTALLED WITH SUFFICIENT SLOPE TO PROVIDE DRAINAGE TO NEAREST VALVE.

LEGEND

HOT LINES ————  
 COLD LINES - - - - -

		93 W/1321RB	
DATE	UNSPECIFIED TOLERANCES ARE:	MATERIAL	
CHNG	FRAMES (1/16)	FRAMES (1/16)	
FILE	HOLES (1/32)	HOLES (1/32)	
PLC	HOLES (1/64)	HOLES (1/64)	
CDR	HOLES (1/32)	HOLES (1/32)	
LANFR	321RBO	TITLE:	WATER SYSTEM INSTL
DIA #	SCALE: NONE	DO NOT SCALE DRAWING	SIZE: 11x17
ALL DIMENSIONS ARE IN MILLIMETERS	SHEET 1 OF 1	DATE	107632