

VIEW B-B

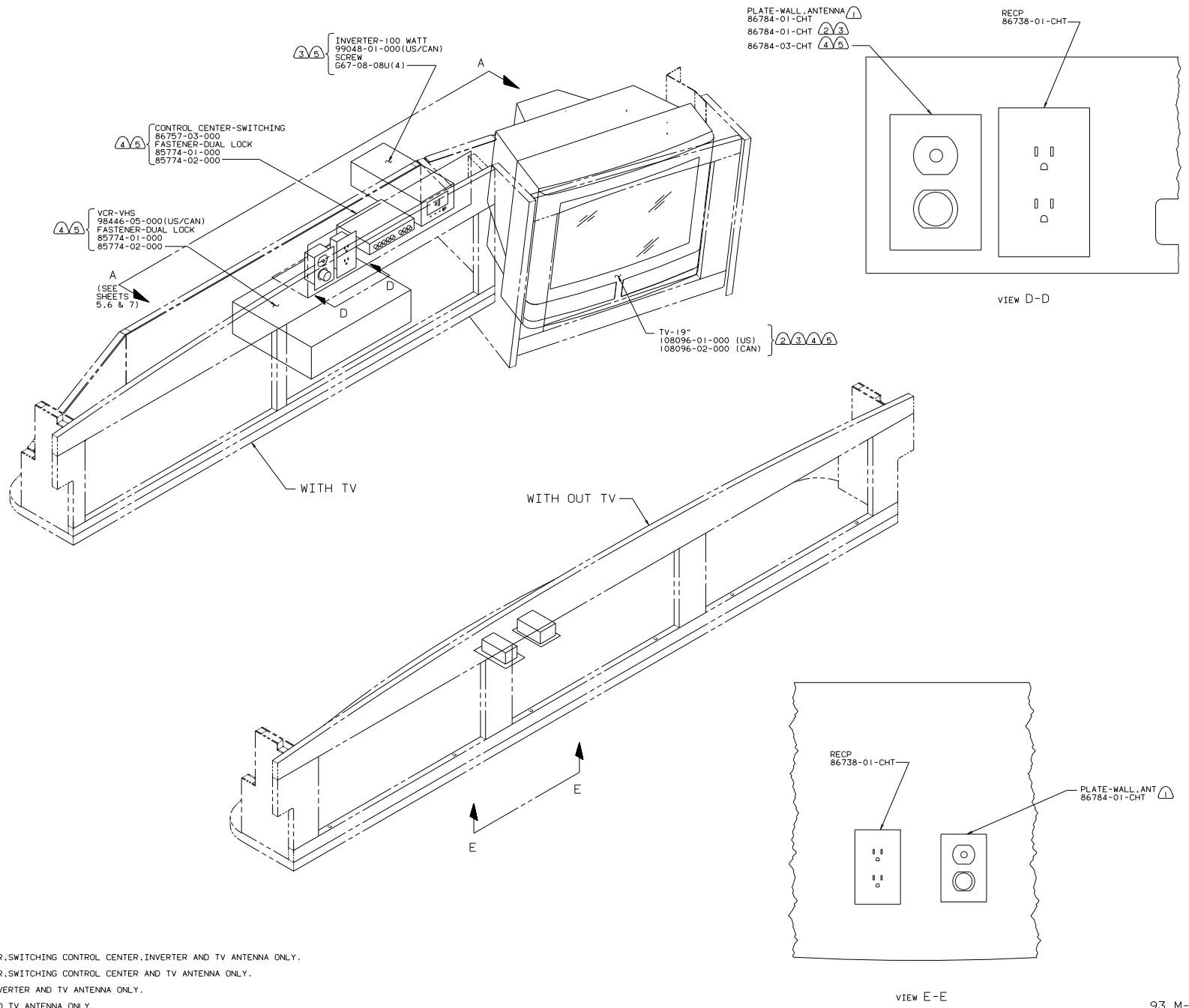
VIEW C-C

- ⑥ USE ON D25RU.
- ⑤ USE WITH TV,VCR,SWITCHING CONTROL CENTER,INVERTER AND TV ANTENNA ONLY.
- ④ USE WITH TV,VCR,SWITCHING CONTROL CENTER AND TV ANTENNA ONLY.
- ③ USE WITH TV,INVERTER AND TV ANTENNA ONLY.
- ② USE WITH TV AND TV ANTENNA ONLY.
- ① USE WITH TV ANTENNA ONLY. (F-SERIES AND D25 REQUIRE NO OVERHEAD TV CABINET)

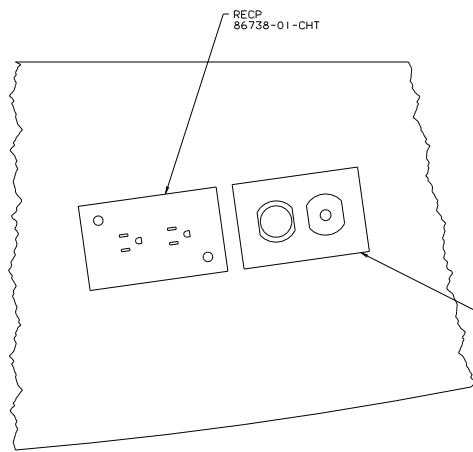
NOTES:

93 D25
 93 F&G-SERIES

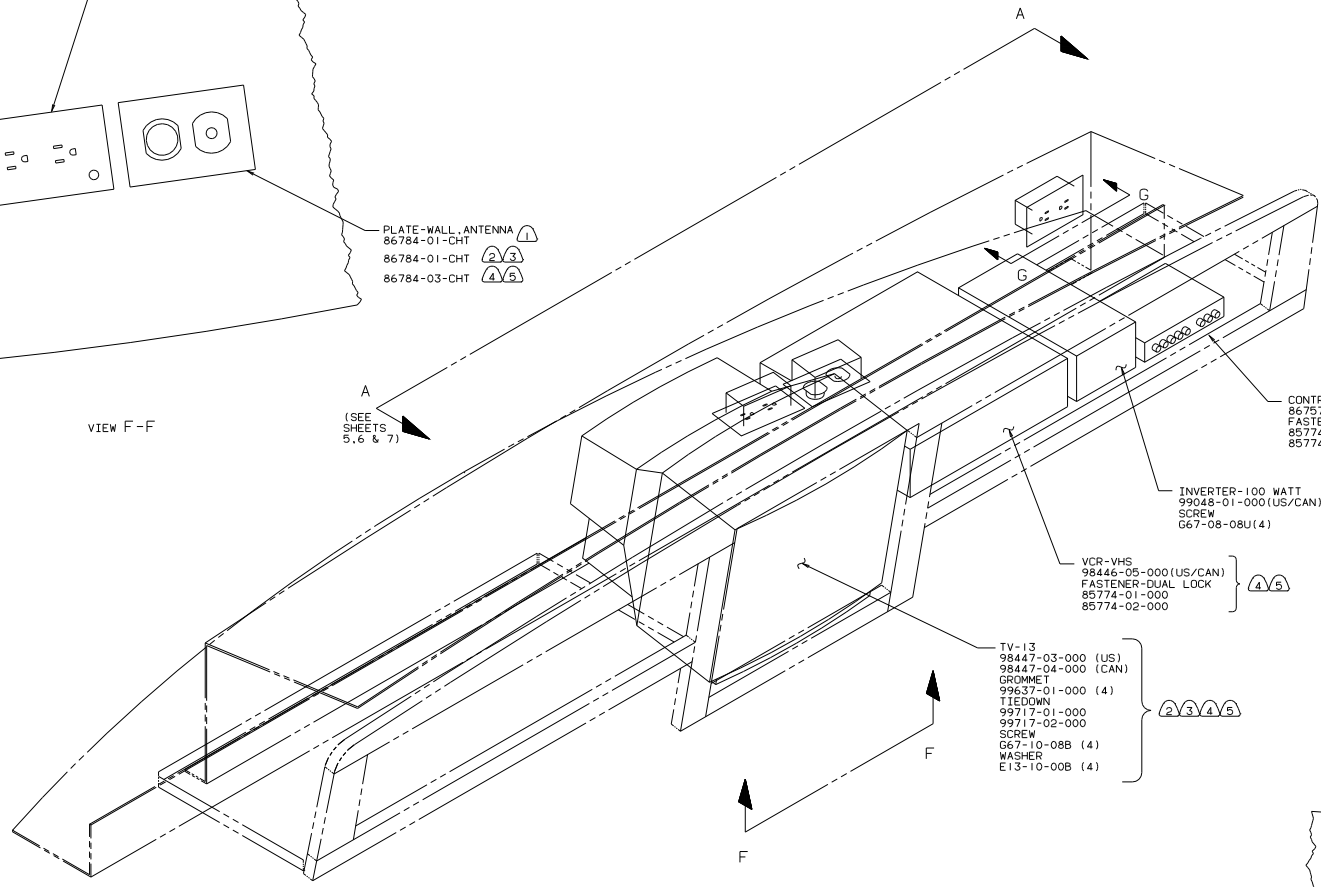
WINNEAGO		93 MOTORHOMES
OPTN	UNSPECIFIED TOLERANCES ARE:	MATERIAL
CHRP	WHOLE DIM (IN)	
F&E	ONE-PLACE (IN.XI)	
M&E	TWO-PLACE (IN.XXX)	
IN E	ANGLE	
CDPR	THIRD ANGLE PROJECTION	
LAND	TITLE	
NO	WIRING INSTL-TV/VCR,FRONT	
DATE	SCALE: NONE	DO NOT SCALE DIMENSIONS
ALL DIMENSIONS ARE IN MILLIMETERS	SHEET 1 OF 7	ENG 1E NO 108285



- NOTES:
- ⑤ USE WITH TV,VCR,SWITCHING CONTROL CENTER,INVERTER AND TV ANTENNA ONLY.
 - ④ USE WITH TV,VCR,SWITCHING CONTROL CENTER AND TV ANTENNA ONLY.
 - ③ USE WITH TV,INVERTER AND TV ANTENNA ONLY.
 - ② USE WITH TV AND TV ANTENNA ONLY.
 - ① USE WITH TV ANTENNA ONLY.



VIEW F-F



A
(SEE SHEETS 5, 6 & 7)

PLATE-WALL, ANTENNA
86784-01-CHT (2)(3)
86784-03-CHT (4)(5)

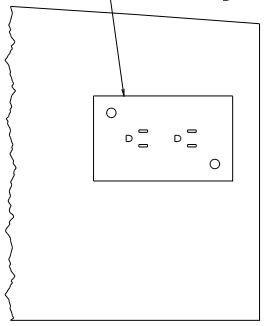
CONTROL CENTER-SWITCHING
86757-03-000
FASTENER-DUAL LOCK
85774-01-000
85774-02-000 (4)(5)

INVERTER-100 WATT
99048-01-000 (US/CAN)
SCREW
G67-08-08U (4) (3)(5)

VCR-VHS
98446-05-000 (US/CAN)
FASTENER-DUAL LOCK
85774-01-000
85774-02-000 (4)(5)

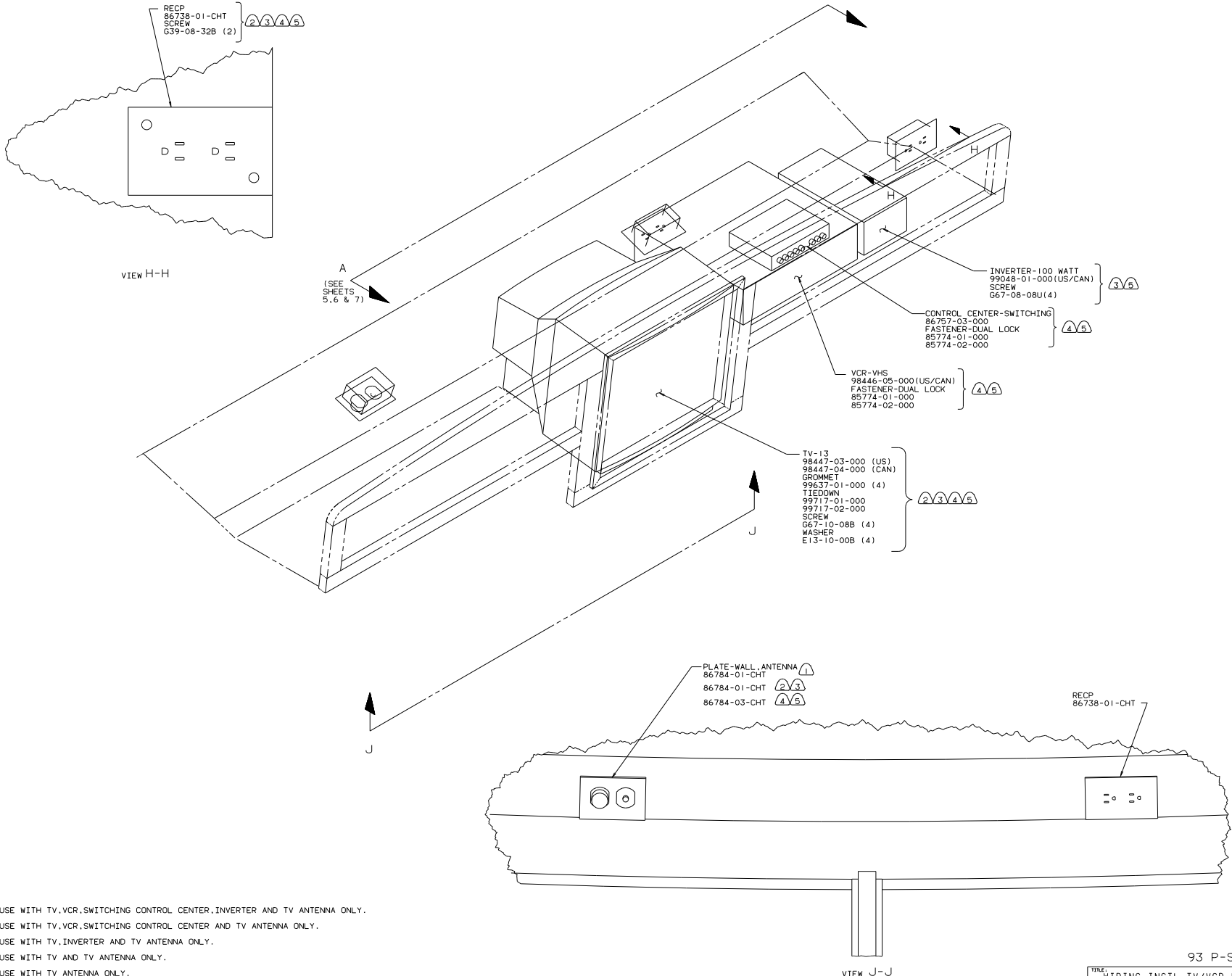
TV-13
98447-03-000 (US)
98447-04-000 (CAN)
GROMMET
99637-01-000 (4)
TIEDOWN
99717-01-000
99717-02-000
SCREW
G67-10-08B (4)
WASHER
E13-10-00B (4) (2)(3)(4)(5)

RECIP
86738-01-CHT
SCREW
G39-08-32B (2) (2)(3)(4)(5)



VIEW G-G

- NOTES:
- (5) USE WITH TV,VCR,SWITCHING CONTROL CENTER,INVERTER AND TV ANTENNA ONLY.
 - (4) USE WITH TV,VCR,SWITCHING CONTROL CENTER AND TV ANTENNA ONLY.
 - (3) USE WITH TV,INVERTER AND TV ANTENNA ONLY.
 - (2) USE WITH TV AND TV ANTENNA ONLY.
 - (1) USE WITH TV ANTENNA ONLY.

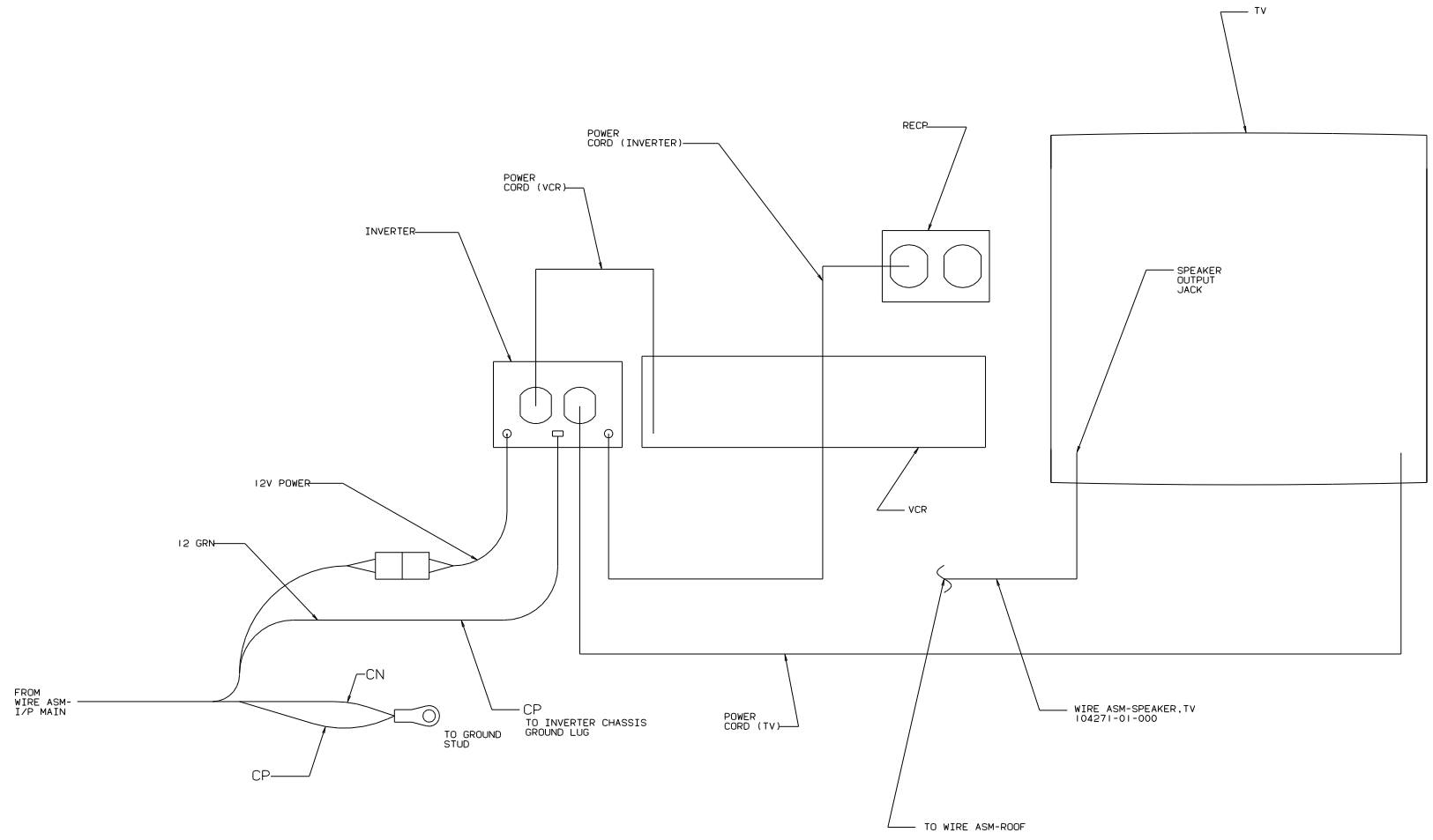


- (5) USE WITH TV,VCR,SWITCHING CONTROL CENTER,INVERTER AND TV ANTENNA ONLY.
- (4) USE WITH TV,VCR,SWITCHING CONTROL CENTER AND TV ANTENNA ONLY.
- (3) USE WITH TV,INVERTER AND TV ANTENNA ONLY.
- (2) USE WITH TV AND TV ANTENNA ONLY.
- (1) USE WITH TV ANTENNA ONLY.

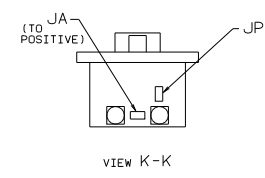
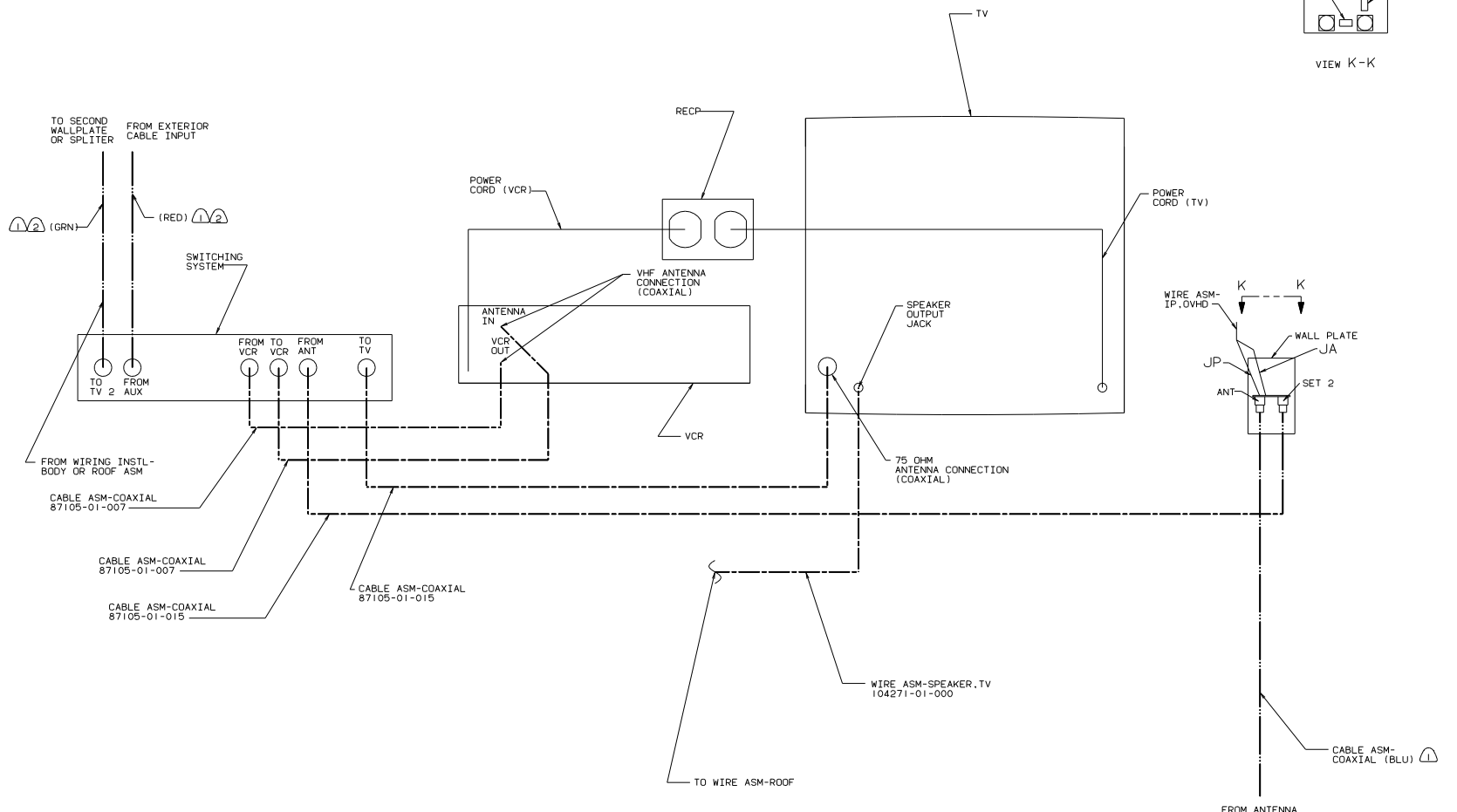
NOTES:

93 P-SERIES

TITLE		DRAWING NO.	
WIRING INSTL-TV/VCR,FRONT		108285	
30 NET SCALE	CONFORMING	SHEET	NO
		4 OF 7	1 E



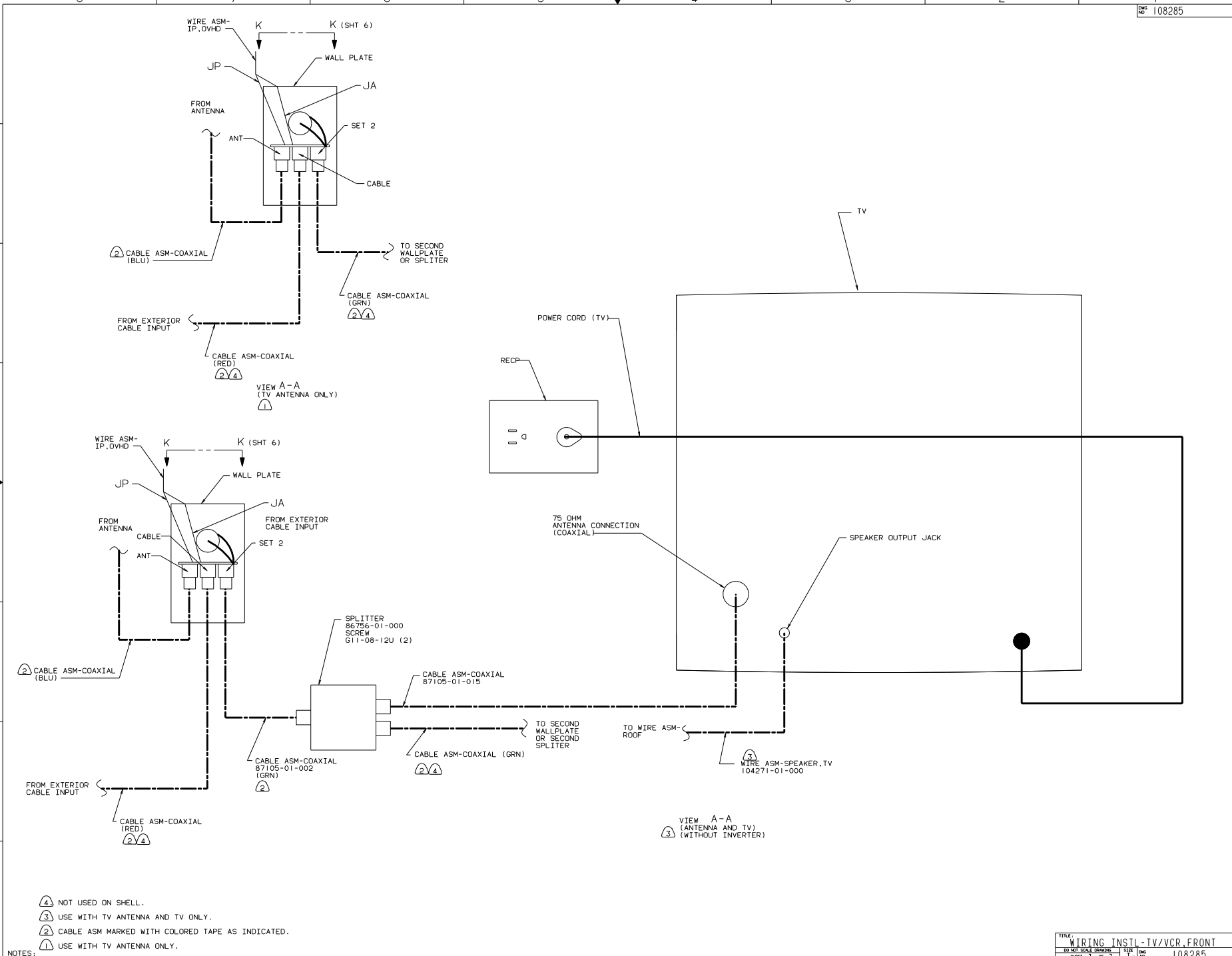
VIEW A-A
(POWER HOOK-UP
WITH INVERTER)



VIEW A-A
(COAXIAL HOOK-UP)
(WITHOUT INVERTER)
(WITH TV AND VCR)

- NOTES:
- ② NOT USED ON SHELL.
 - ① CABLE ASM MARKED WITH COLORED TAPE.

TITLE		WIRING INSTL-TV/VCR.FRONT	
30 NET SCALE DRAWING	11/11	108285	1
SHEET 6 OF 7	11/11		



- ④ NOT USED ON SHELL.
- ③ USE WITH TV ANTENNA AND TV ONLY.
- ② CABLE ASM MARKED WITH COLORED TAPE AS INDICATED.
- ① USE WITH TV ANTENNA ONLY.