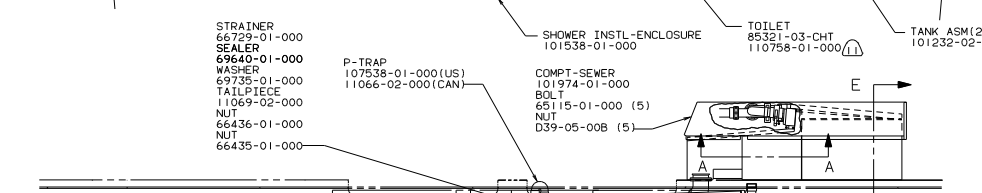
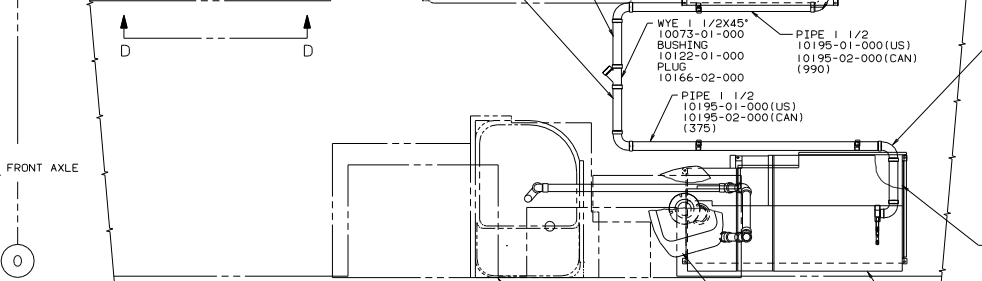
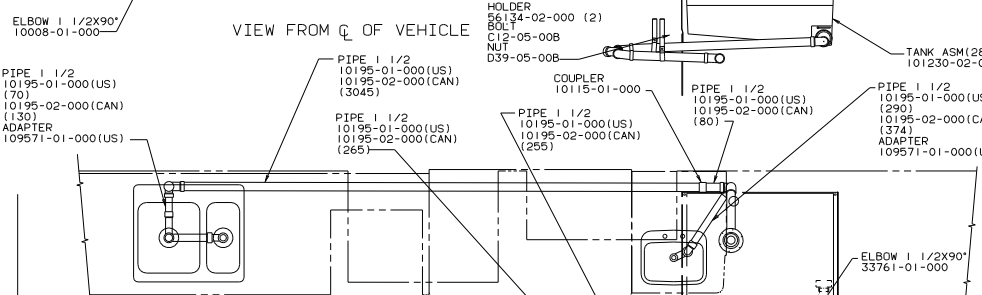


VIEW FROM Q OF VEHICLE

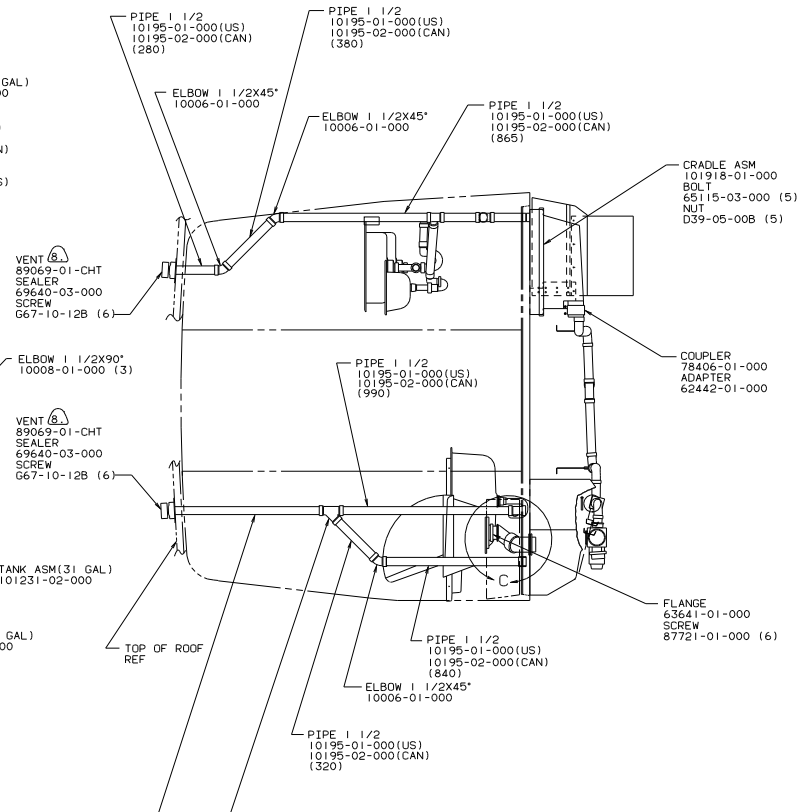


VIEW FROM Q OF VEHICLE

- ① USE WITH ONYX UPGRADE.
- ② USE WITH RECESSED SINK.
- ③ SEAL IS CONTINUOUS ALL THE WAY AROUND THE COMPARTMENT.
- ④ VENT PIPE MUST PROJECT 51 MM MIN TO 64 MM MAX ABOVE ROOF FOR PROPER FIT AND FUNCTION.
- ⑤ SEE DWG 61607-01-000 FOR INSTL OF GROMMET.
- ⑥ SEAL ALL AROUND BATHTUB AND SINK WITH SILICONE 78474-01-CHT.

5. FOR CANADIAN UNITS EACH HOLDING TANK SHALL HAVE A CSA APPROVAL STAMPED NEAR THE IAPMO APPROVAL.
4. ALL EXTERIOR OPENINGS AROUND PIPE TO BE SEALED WITH 69637-01-000.
3. ALL PIPE AND FITTINGS TO BE ASSEMBLED WITH SOLVENT 4020-01-000.
2. SLOPE OF TRAP ARM MUST BE 6 PER 300.
1. SLOPE OF HORIZONTAL PIPING TO BE 6 PER 305 MINIMUM.

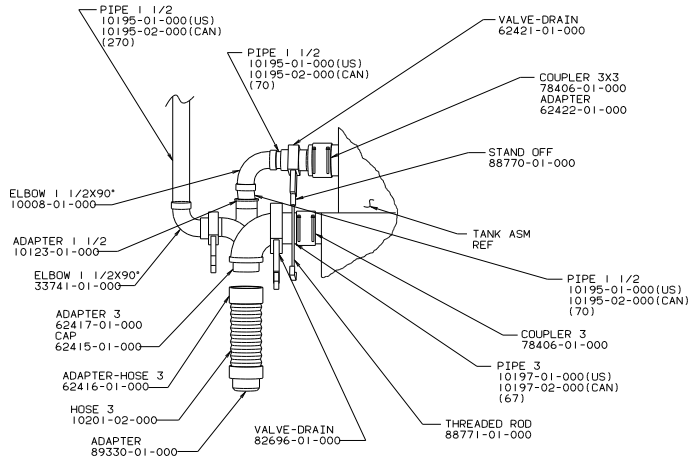
NOTES:



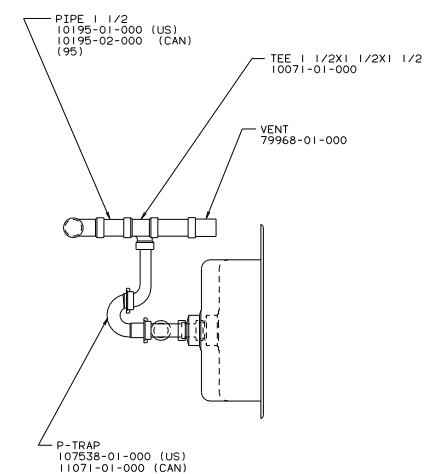
WINNERAGO 92 W/1CP37R0

DATE	UNSPECIFIED TOLERANCES ARE:	MATERIAL
CHG	WHOLE DIM (3)	
REV	FRACTIONAL DIM (2)	
DATE	DECIMAL DIM (4)	
CHG	ANGLE	
	THIRD ANGLE PROJECTION	

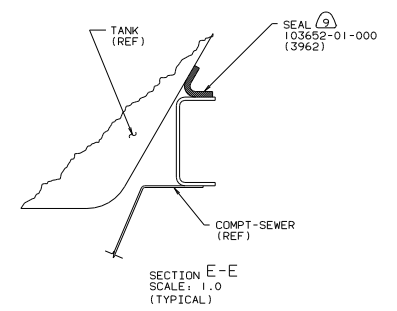
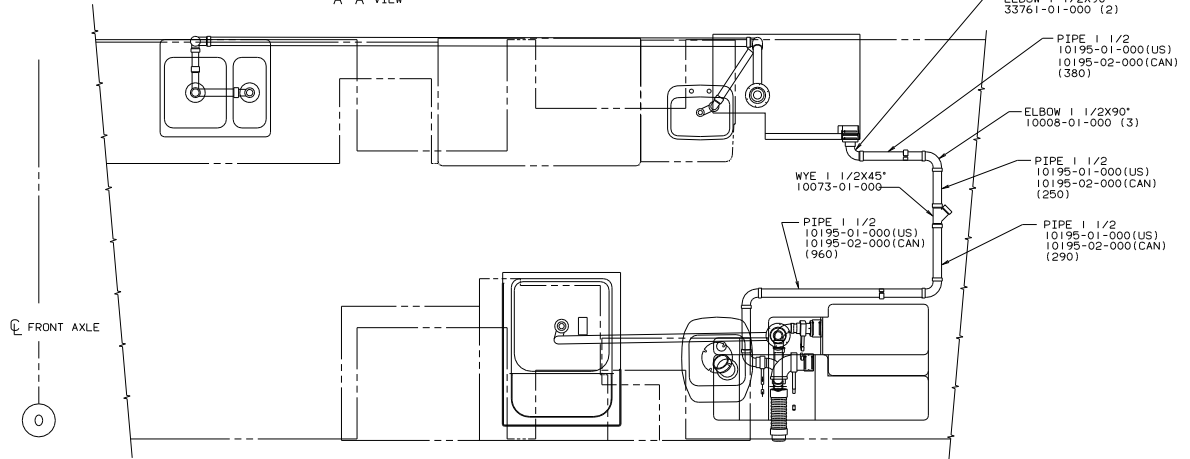
TITLE: DRAINAGE SYSTEM INSTL
 106092
 SHEET 1 OF 2



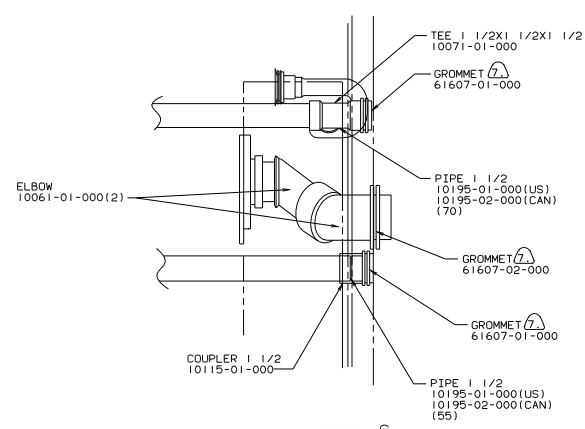
A-A VIEW



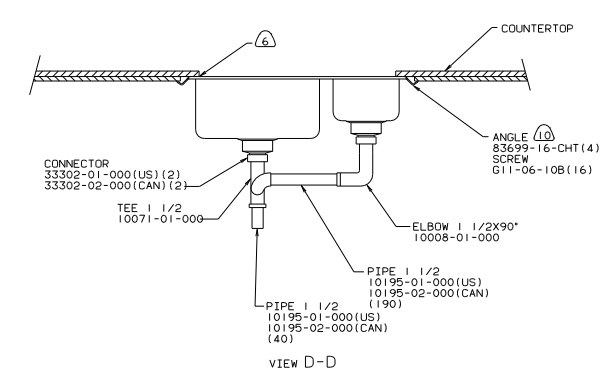
VIEW B-B



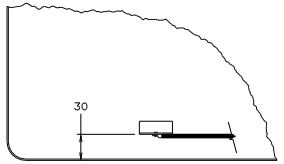
SECTION E-E
SCALE: 1.0
(TYPICAL)



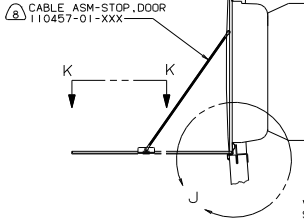
DETAIL C



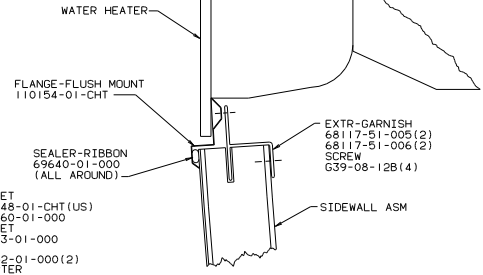
VIEW D-D



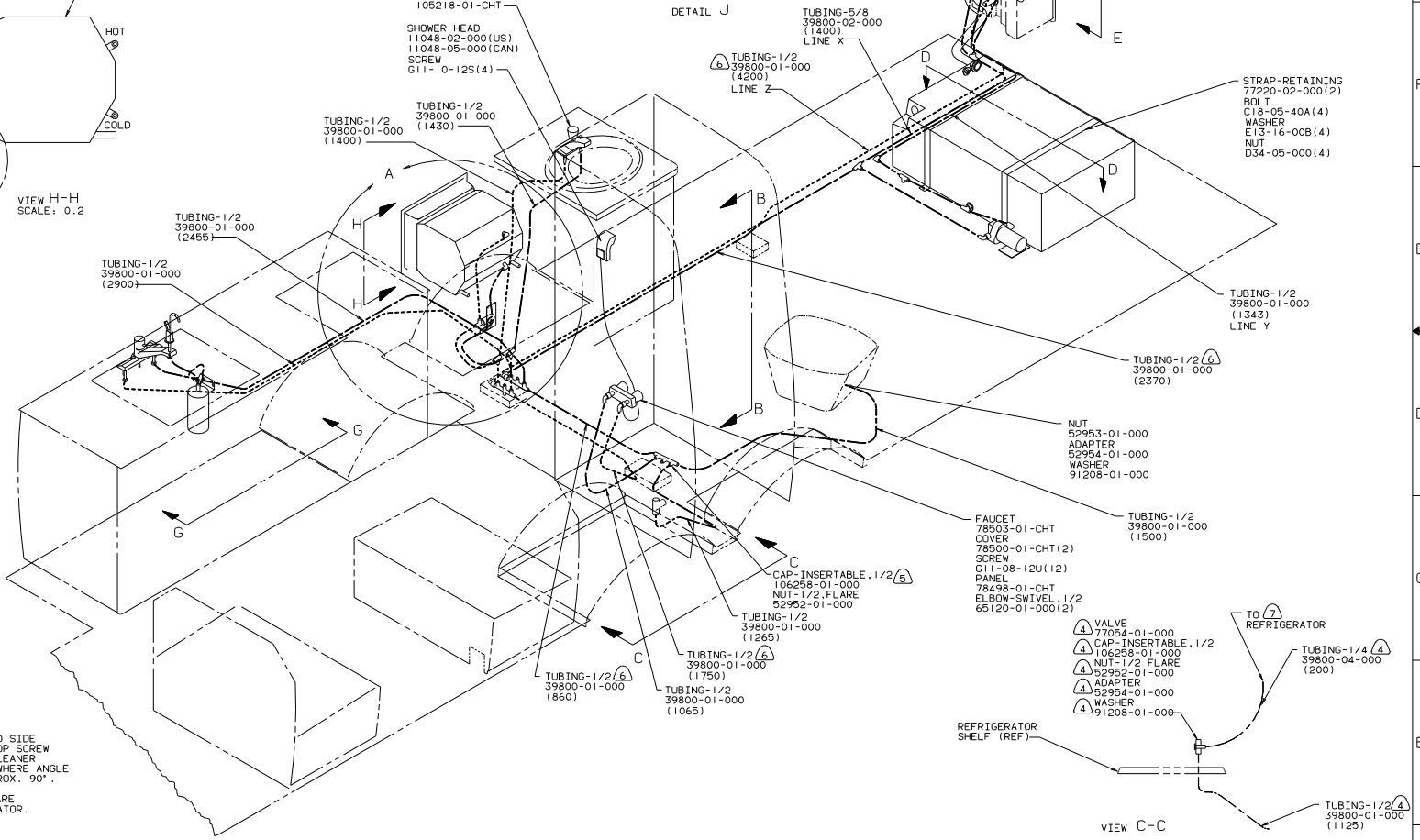
VIEW K-K



VIEW H-H
SCALE: 0.2



DETAIL J



VIEW C-C

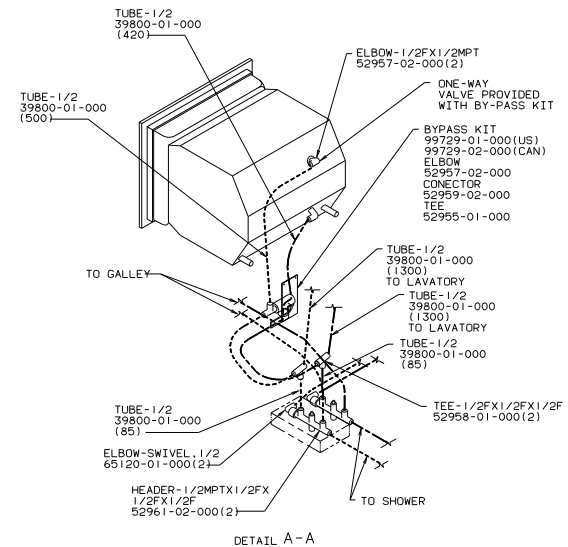
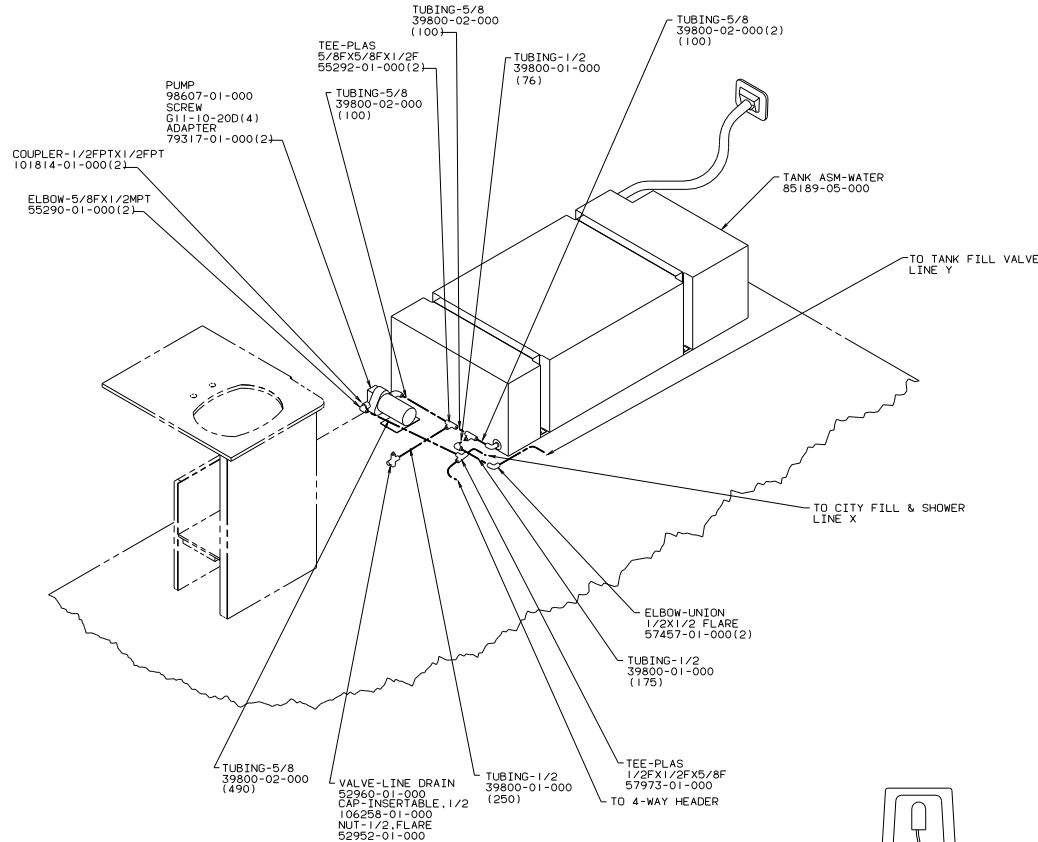
- ① USE WITH ONYX.
 - ② CABLE TO BE INSTALLED ON FORWARD SIDE OF DOOR USING THE SECOND FROM TOP SCREW TO FASTEN UPPER TERMINAL. USE CLEANER 87211-01-000 ON INSIDE OF DOOR WHERE ANGLE IS MOUNTED. DOOR IS TO OPEN APPROX. 90°.
 - ③ UNION CONNECTOR, SLEEVE, & NUT ARE SUPPLIED WITH ICEMAKER REFRIGERATOR.
 - ④ TUBING ROUTED IN FLOOR.
 - ⑤ USE WITHOUT ICEMAKER IN REFRIGERATOR.
 - ⑥ USE WITH ICEMAKER IN REFRIGERATOR ONLY.
3. ALL TUBING TO BE SECURED AT 1200 INTERVALS MAX. WITH CLAMP 10495-01-000 AND SCREW G67-10-12B.
 2. TUBING TO BE INSTALLED WITH SUFFICIENT SLOPE TO PROVIDE DRAINAGE TO NEAREST VALVE.
 1. PLASTIC FITTINGS TO BE SEALED WITH SEALANT TAPE 9201-01-000.

NOTES:

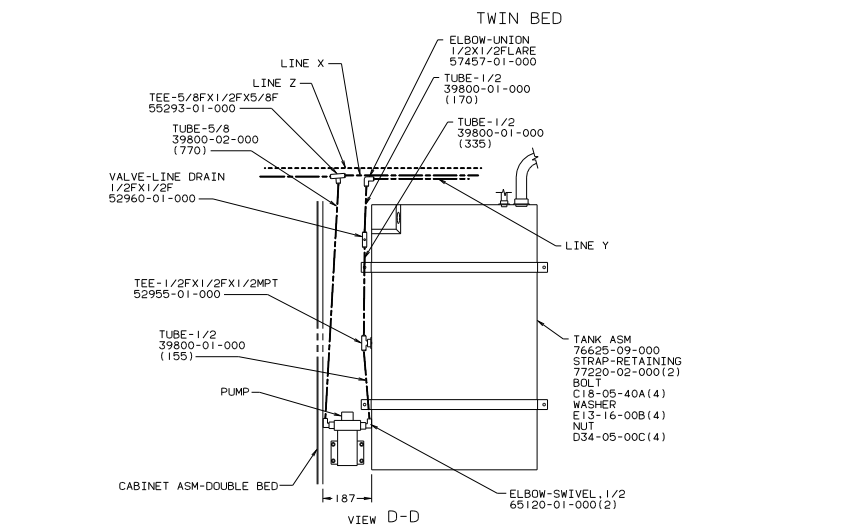
LEGEND

- HOT LINES
- COLD LINES

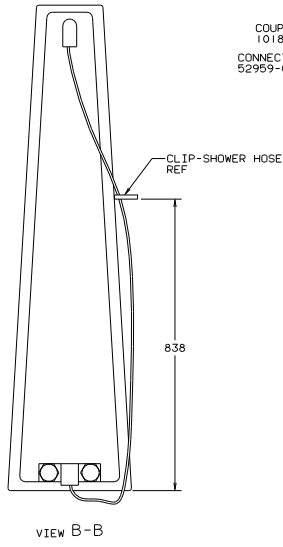
WINNEMAGO		92 P37RO
DATE	UNSPECIFIED TOLERANCES ARE:	MATERIAL
CHRP	FRAMES 1/4" ± 0.01	STEEL
FIN	ONE-PIECE 1/4" ± 0.01	ALUMINUM
FIN	TWO-PIECE 1/4" ± 0.01	COPPER
CDR	THIRD-PIECE 1/4" ± 0.01	BRASS
LAINT	FOURTH-PIECE 1/4" ± 0.01	OTHER
TITLE: WATER SYSTEM INSTL		105425
SCALE: NONE		SHEET 1 OF 3
ALL DIMENSIONS ARE IN MILLIMETERS		REF: 101639



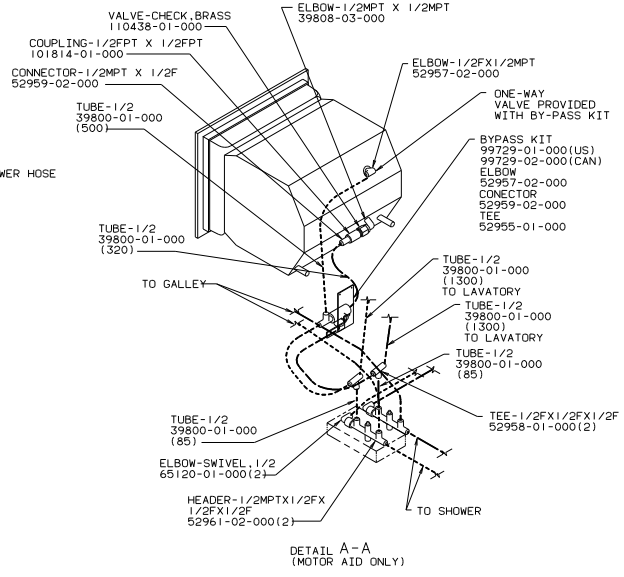
DETAIL A-A



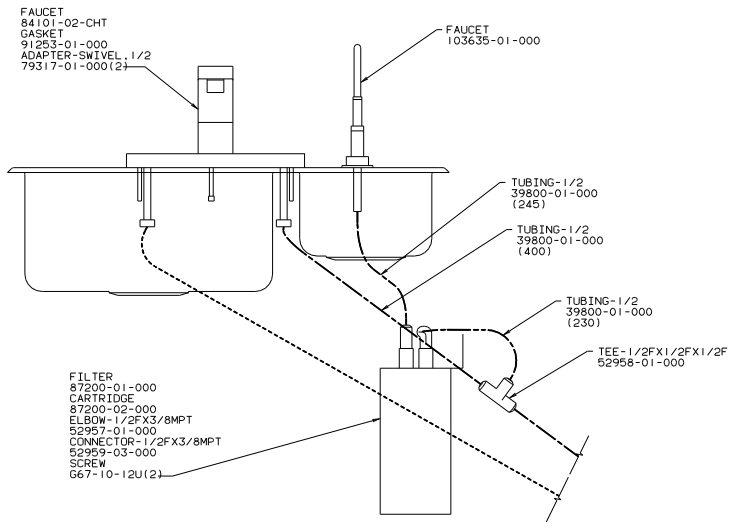
VIEW D-D



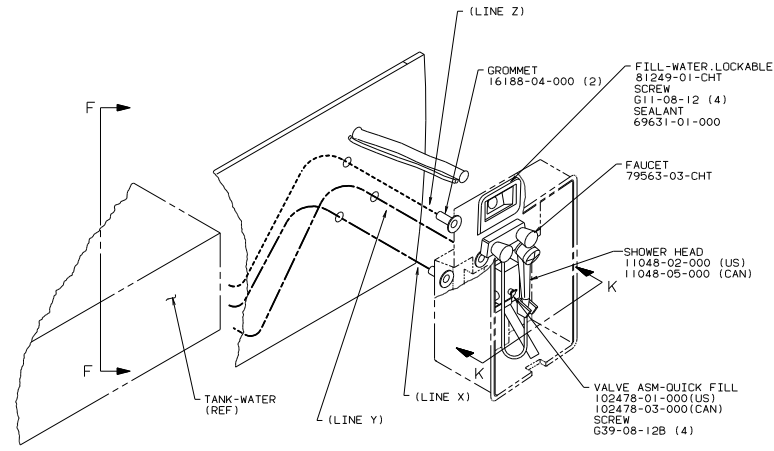
VIEW B-B



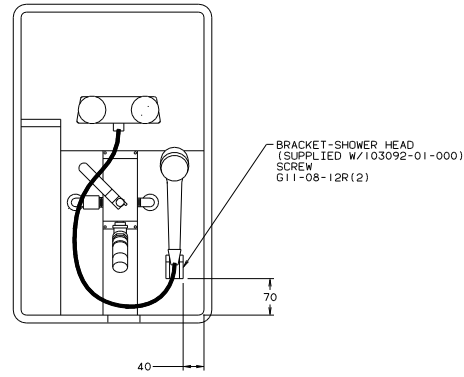
DETAIL A-A (MOTOR AID ONLY)



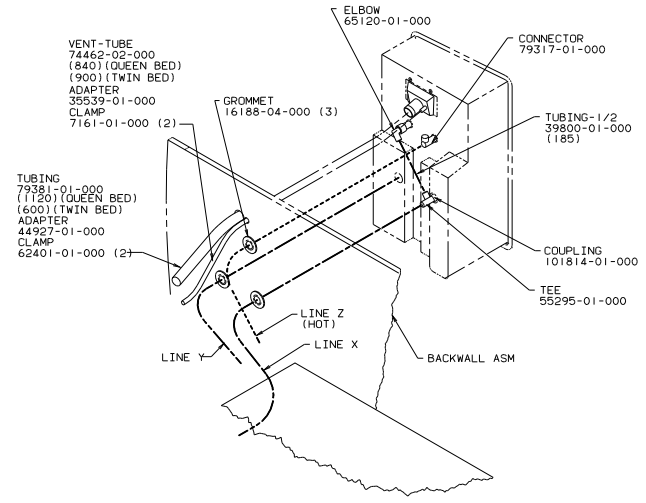
VIEW G-G



VIEW E-E



VIEW K-K



VIEW F-F