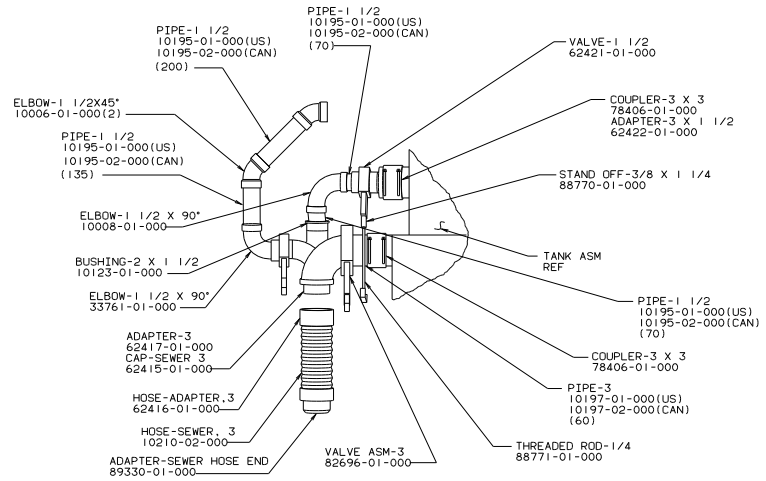
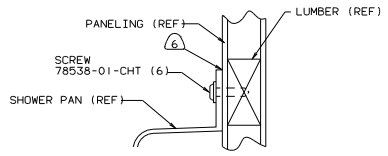


- (1) INSULATION TO EXTEND FULL DEPTH OF COMPARTMENTS. SLIT INSULATION TO FIT AROUND TANK SUPPORT ANGLES.
 (2) LOCATE CLAMP ON GALLEY CABINET FOR PROPER SLOPE.
 (3) SECURE VENT TUBES TO FLOOR.
 (4) VENT PIPE MUST PROJECT 51MM MIN TO 64MM MAX ABOVE ROOF FOR PROPER FIT AND FUNCTION.
 (5) SEE DWG 61607-01-000 FOR INSTL OF GROMMET.
 (6) SEAL ALL AROUND WITH SILICONE 78474-01-CHT.
 5. FOR CANADIAN UNITS EACH HOLDING TANK SHALL HAVE A CSA APPROVAL STAMPED NEAR THE IAPMO APPROVAL.
 4. ALL EXTERIOR OPENINGS AROUND PIPE TO BE SEALED WITH 69637-01-000.
 3. ALL PIPE AND FITTINGS TO BE ASSEMBLED WITH SOLVENT 4020-01-000.
 2. SLOPE OF TRAP MUST BE 6 PER 300 MINIMUM.
 1. SLOPE OF HORIZONTAL PIPING TO BE 6 PER 300 MINIMUM.

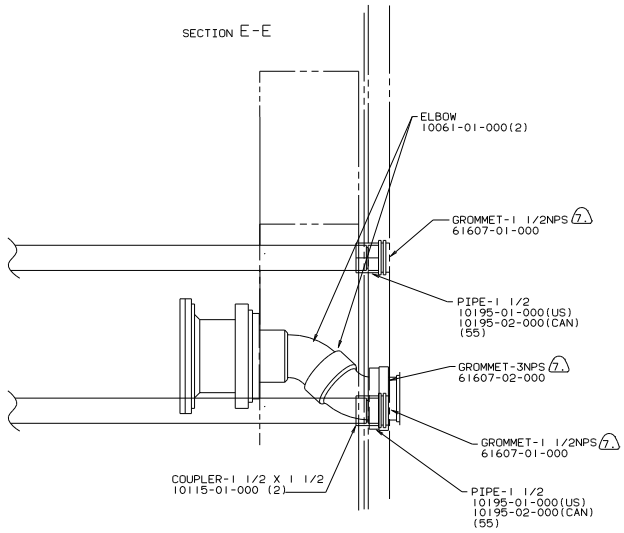
WINNAGO 92 W/1P33R0	
DATE	UNSPECIFIED TOLERANCES ARE:
CDR	FRAC DEC (1:1) ±
FILE	ONE PLACE (1:20)
REV	TWO PLACE (1:20)
DATE	ANGLE
CDR	THIRD ANGLE PROJECTION
LANDING P33R02 TITLE: DRAINAGE SYSTEM INSTL	
NO. OF SCALE: NONE	DO NOT SCALE DRAWING
ALL DIMENSIONS ARE IN MILLIMETERS	SHEET 1 OF 2
REF: 102138	105813



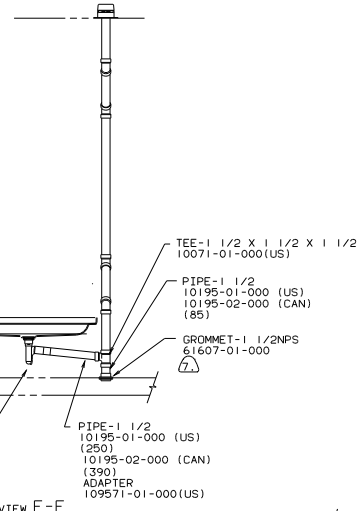
DETAIL A



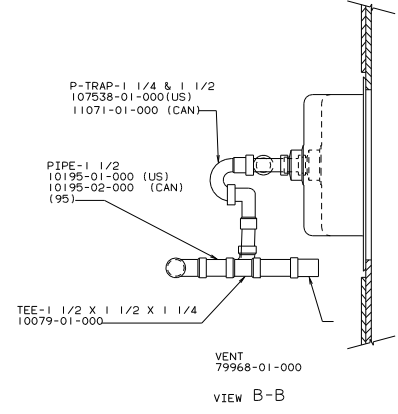
SECTION E-E



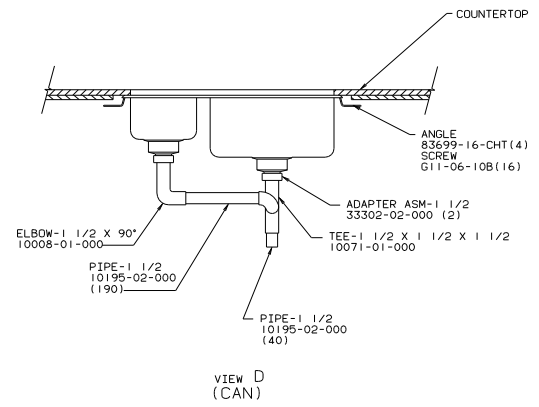
DETAIL C



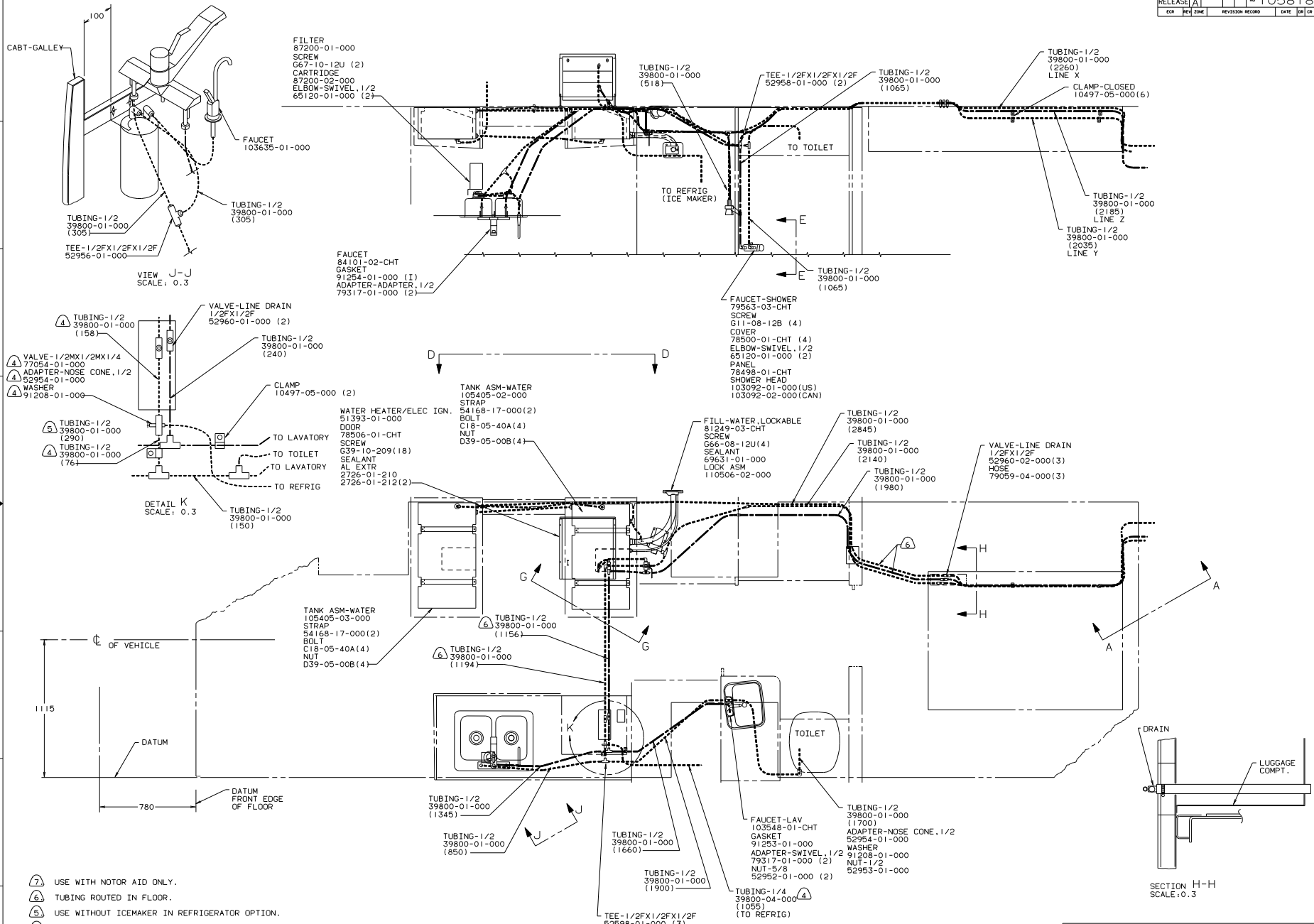
VIEW F-F

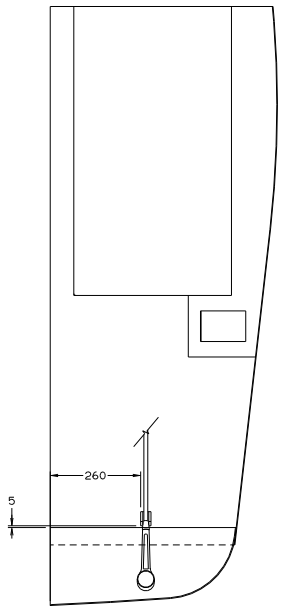


VIEW B-B

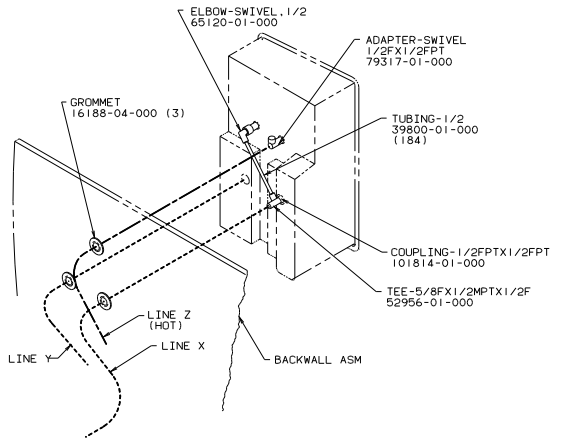


VIEW D (CAN)

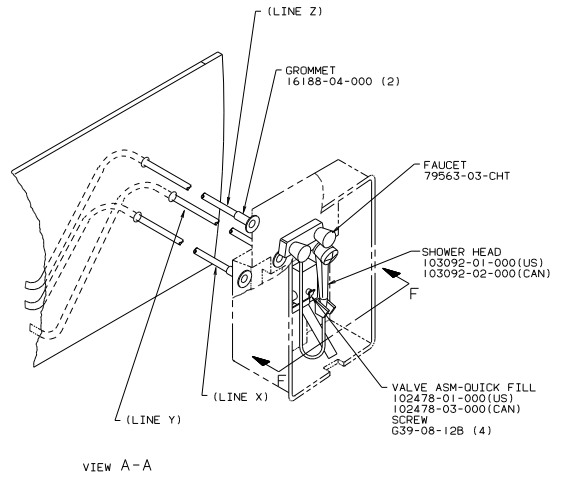




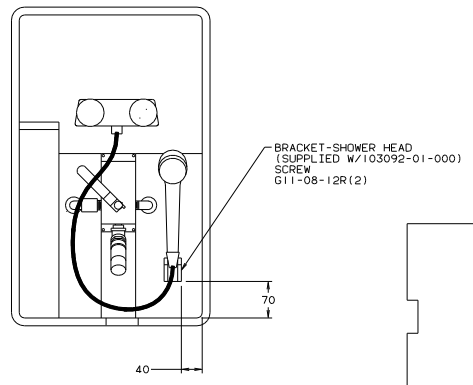
VIEW E-E



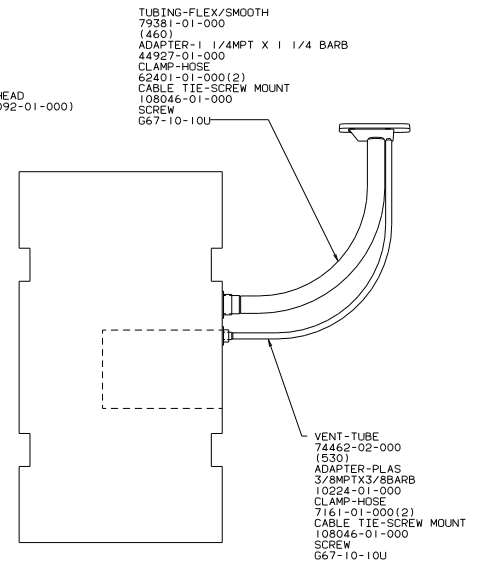
VIEW B-B



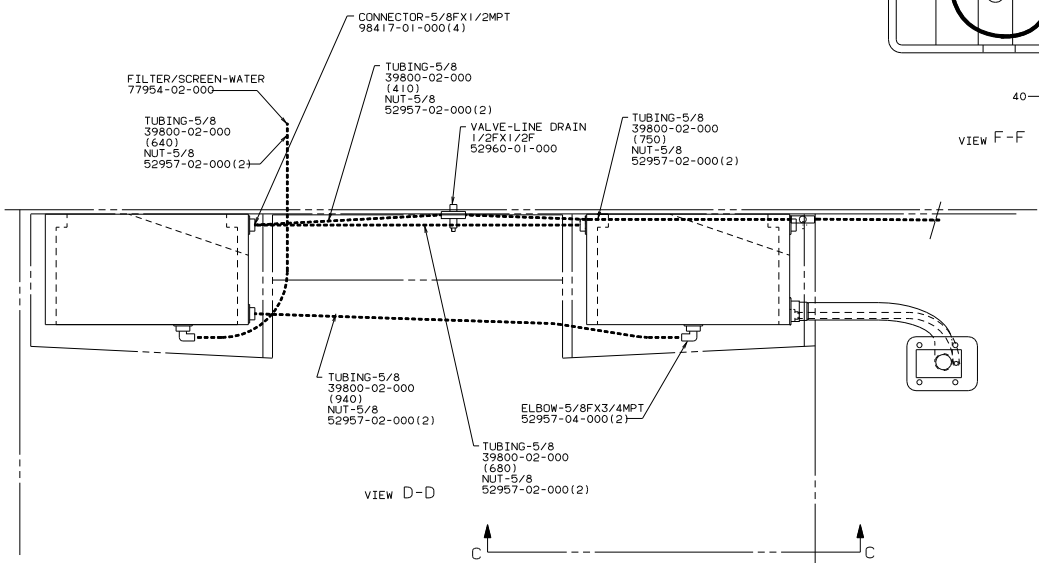
VIEW A-A



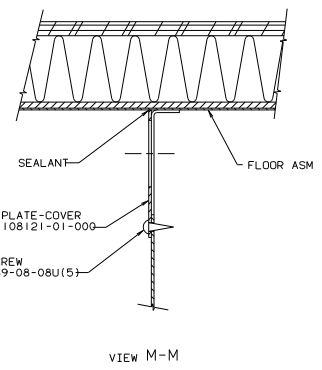
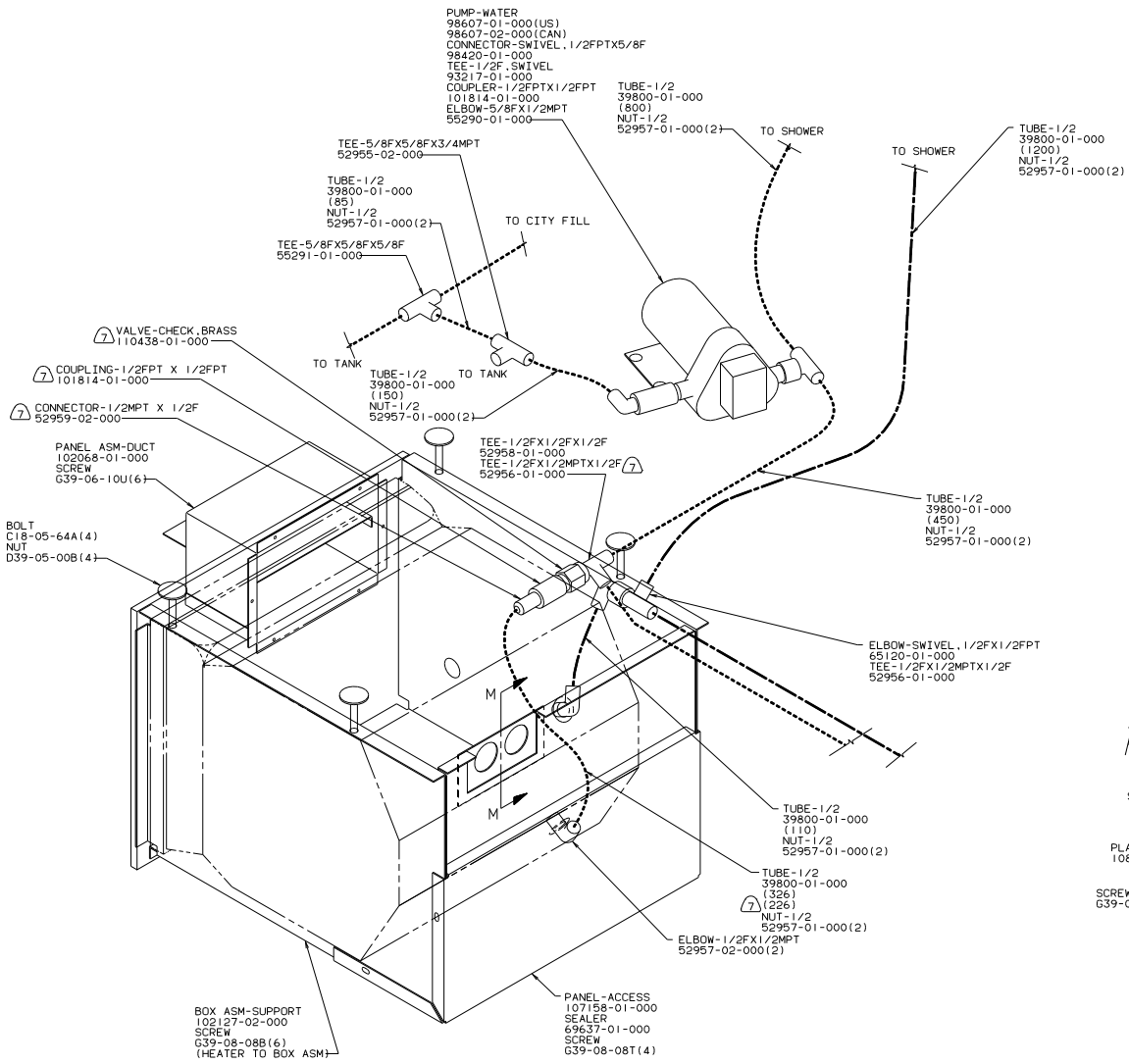
VIEW F-F



VIEW C-C



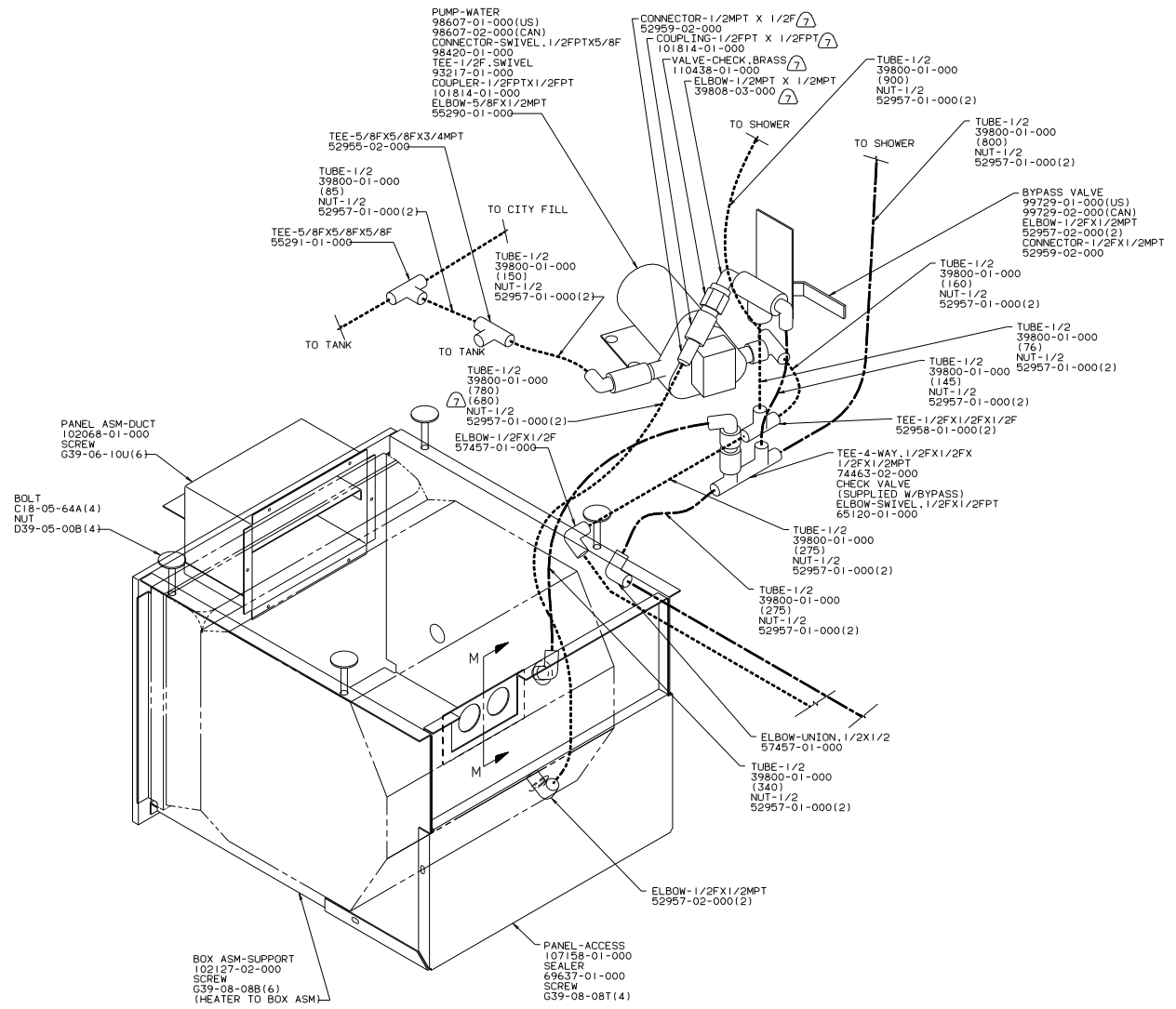
VIEW D-D



VIEW G-G

W/O WATER HEATER BYPASS OPTION
92 P33RQ

TITLE		WATER SYSTEM INSTL	
DO NOT SCALE DRAWING	1/2" = 1'	REV	105818
SHEET 3 of 4	1 of 4		



VIEW G-G

W/ WATER HEATER BYPASS OPTION

92 P33R0

TITLE		WATER SYSTEM INSTL	
DO NOT SCALE DRAWING	DATE	REV	NO
			105818