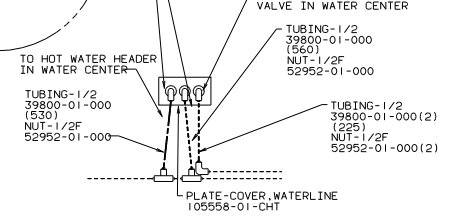
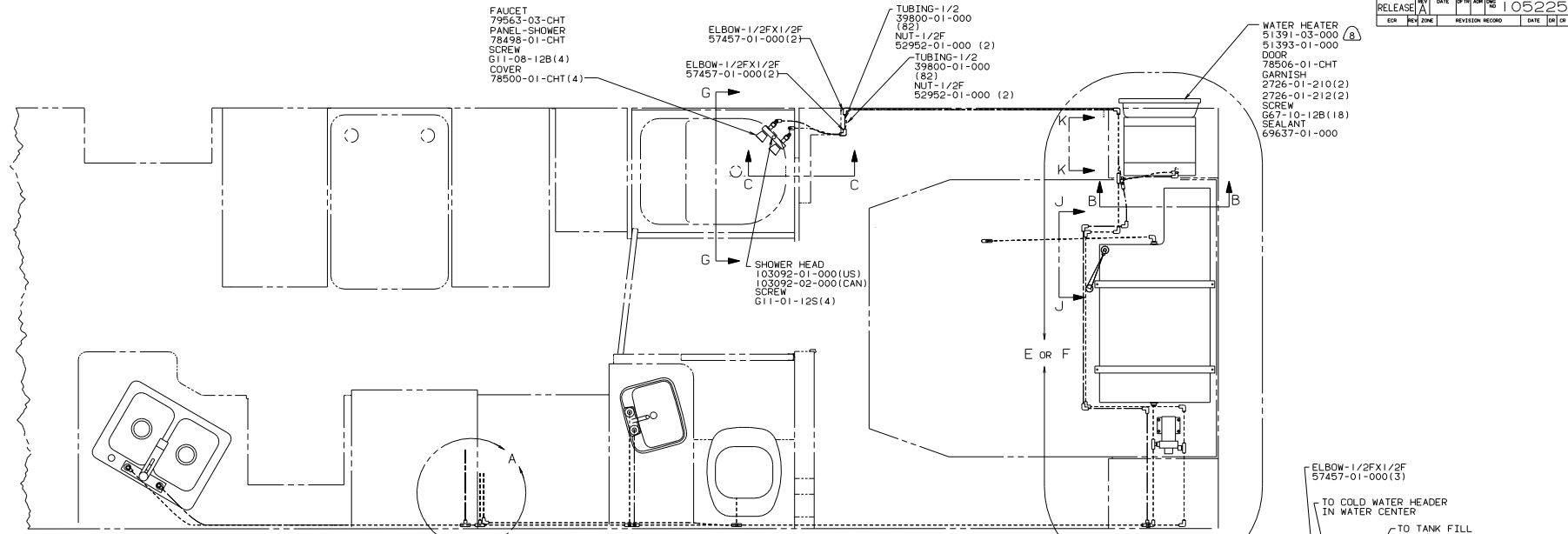


- ⑩ SEE DRAWING 93128-02-000 FOR TANK INSTALLATION.
  - ⑨ LOCATE CLAMP ON GALLEY CABINET FOR PROPER SLOPE.
  - ⑧ SECURE VENT TUBES TO FLOOR.
  - ⑦ VENT PIPE MUST PROJECT 51 MM MIN TO 64 MM MAX ABOVE ROOF FOR PROPER FIT AND FUNCTION.
  - ⑥ SEE DWG 61607-01-000 FOR INSTL OF GROMMET.
5. SEAL ALL AROUND SHOWER WITH SILICON 78474-01-CHT.
  4. FOR CANADIAN UNITS EACH HOLDING TANK SHALL HAVE A CSA APPROVAL STAMPED NEAR IAPMO APPROVAL.
  3. ALL PIPE AND FITTINGS TO BE ASSEMBLED WITH SOLVENT 4020-01-000.
  2. SLOPE OF TRAP MUST BE 6 PER 300 MINIMUM.
  1. SLOPE OF HORIZONTAL PIPING TO BE 6 PER 300 MINIMUM.

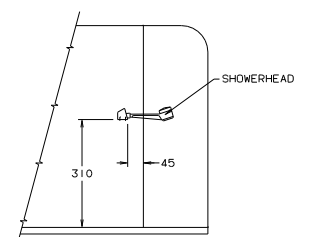
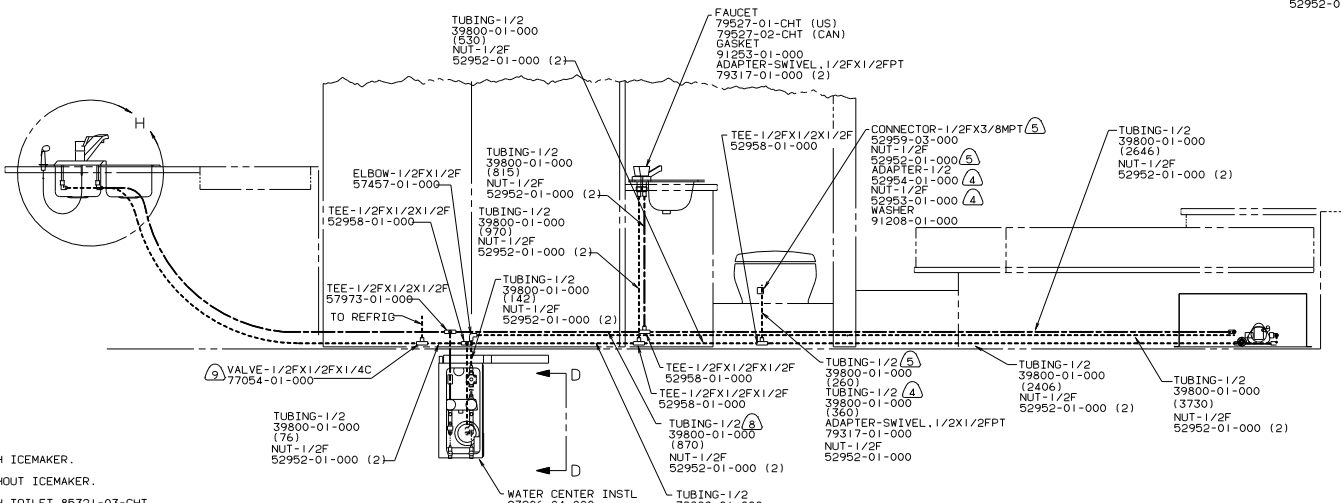
**WINNEMAGO** 92 W/ICN34R0

DATE	UNSPECIFIED TOLERANCES ARE:	MATERIAL:
DWG	WHOLE DIM 1/16"	
P/E	DEC-PLACE 1/32"	
M/E	FINISH 1/64"	
DATE	THIRD ANGLE PROJECTION	

LAYER: N33R00 TITLE: DRAINAGE SYSTEM INSTL  
 NO. 014 SCALE: NONE DO NOT SCALE DIMENSIONS. SHEET 1 OF 1  
 ALL DIMENSIONS ARE IN MILLIMETERS. DATE: 07/10/10 104994



DETAIL A



VIEW G-G

- (9) USE WITH ICEMAKER.
  - (8) USE WITHOUT ICEMAKER.
  - (7) USE WITH TOILET 85321-03-CHT.
  - (6) USE WITHOUT MOTOR AID.
  - (5) USE WITH AQUA MAGIC.
  - (4) USE WITH AQUA IV.
3. ALL TUBING TO BE SECURED AT 1200 INTERVALS MAXIMUM. WITH CLIP 91951-01-000 AND SCREW G13-06-16U.
  2. TUBING TO BE INSTALLED WITH SUFFICIENT SLOPE TO PROVIDE DRAINAGE TO NEAREST VALVE.
  1. PLASTIC FITTINGS TO BE SEALED WITH SEALANT 84456-01-000.

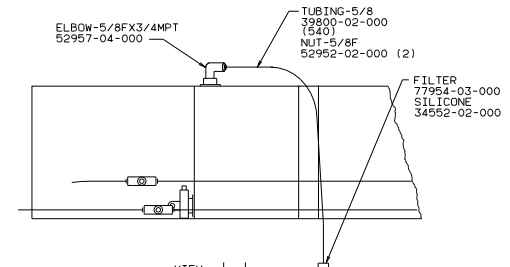
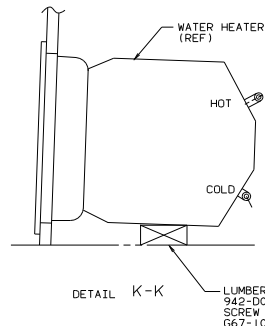
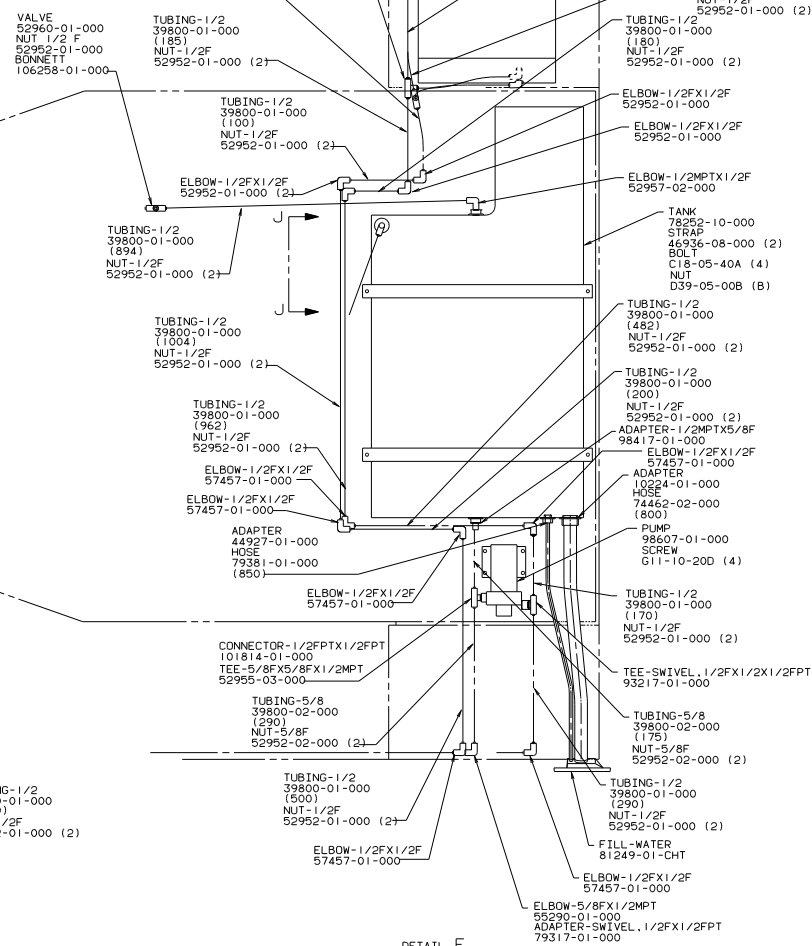
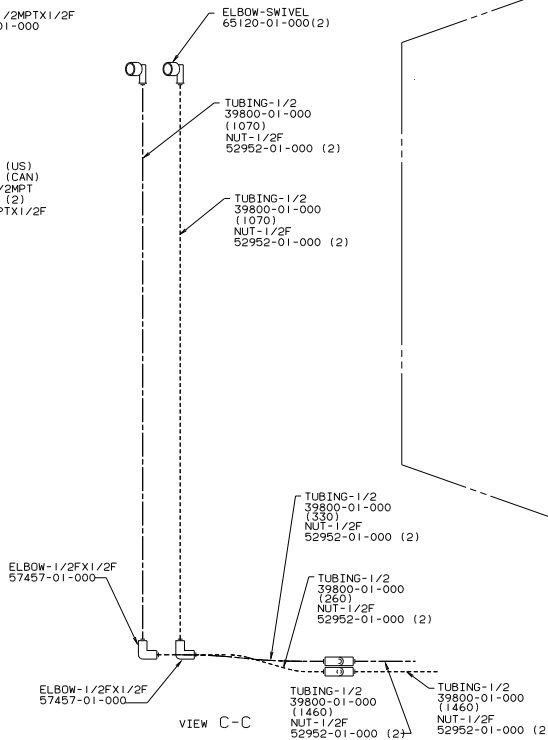
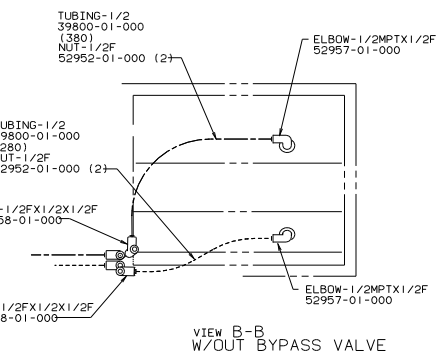
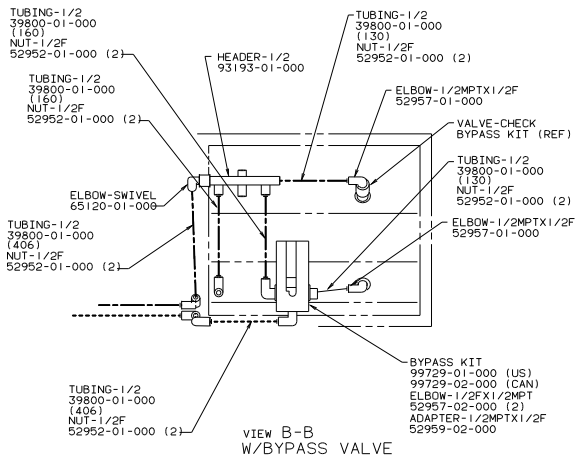
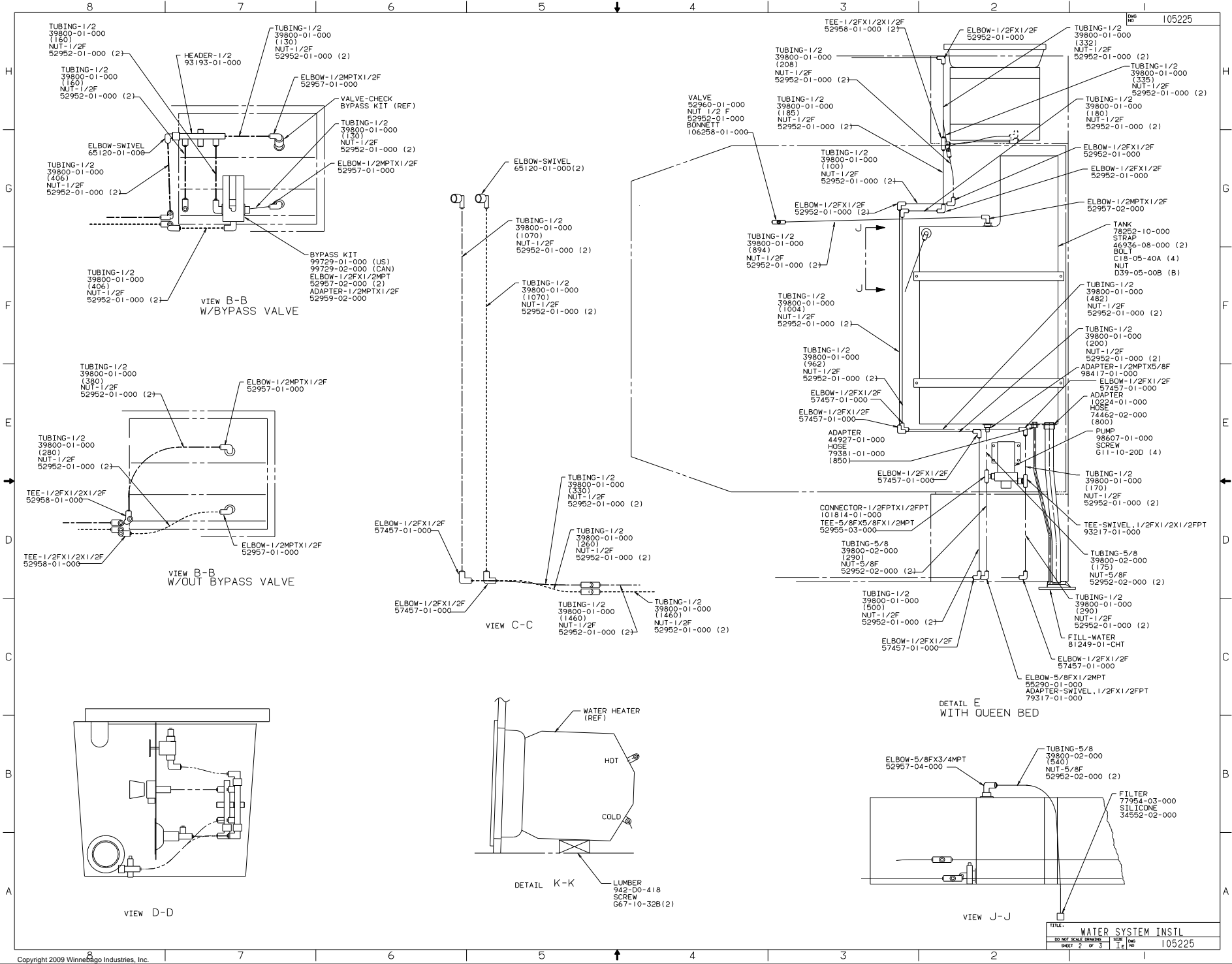
LEGEND

HOT	-----
COLD	-----

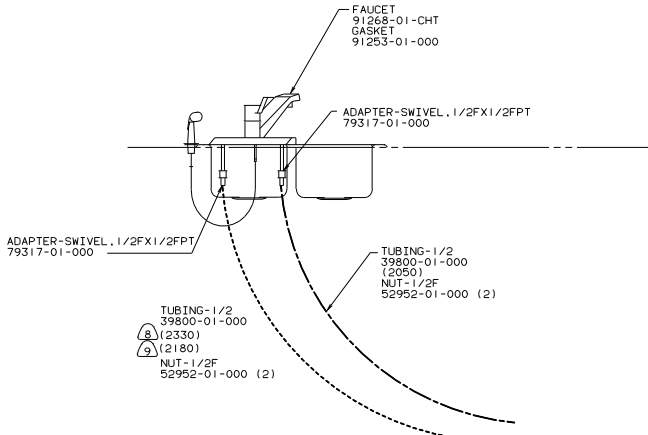
**WINNAGO** 92 W/1CN34R0

QTY	UNSPECIFIED TOLERANCES ARE:	MATERIAL
CHP	WHOLE DIM (IN) ± 1.5	
FPE	ONE-PLACE (IN) ± 0.5	
W/E	TWO-PLACE (IN) ± 0.5	
ANG	ANGLE	
CON	THIRD ANGLE PROJECTION	

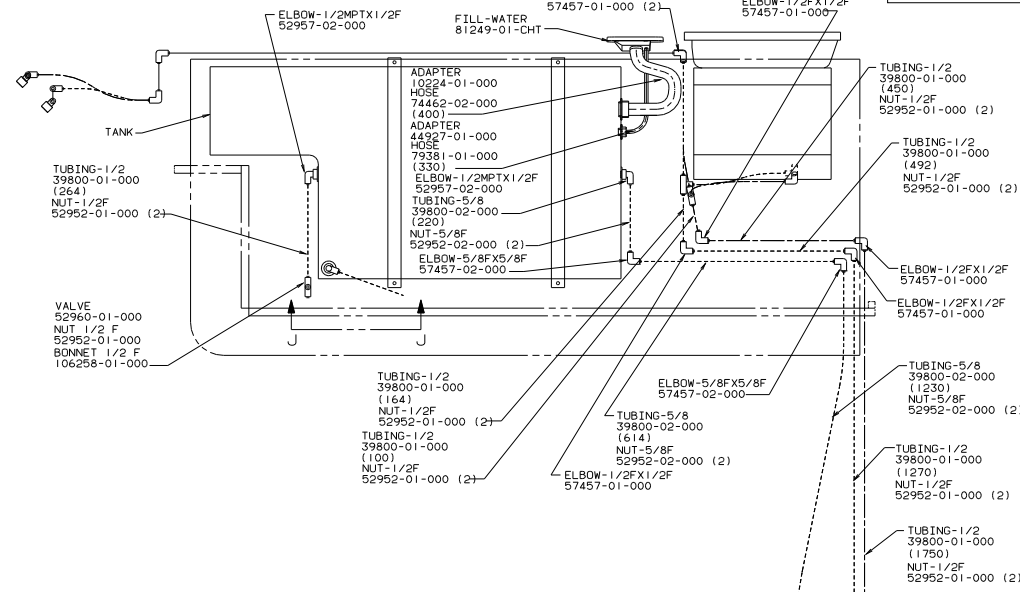
LANO# N34R02 TITLE: WATER SYSTEM INSTL  
 DIA # SCALE: NONE DO NOT SCALE DRAWING SIZE: 11x17  
 ALL DIMENSIONS ARE IN MILLIMETERS SHEET 1 OF 3 105225



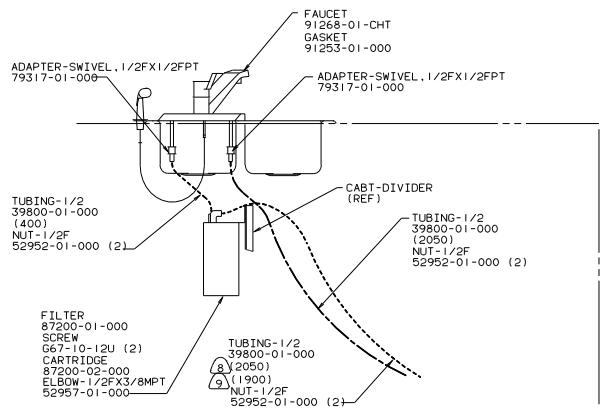
TITLE: WATER SYSTEM INSTL		105225
30.00	SCALE: DRAWING	REV
SHEET	2	OF 3



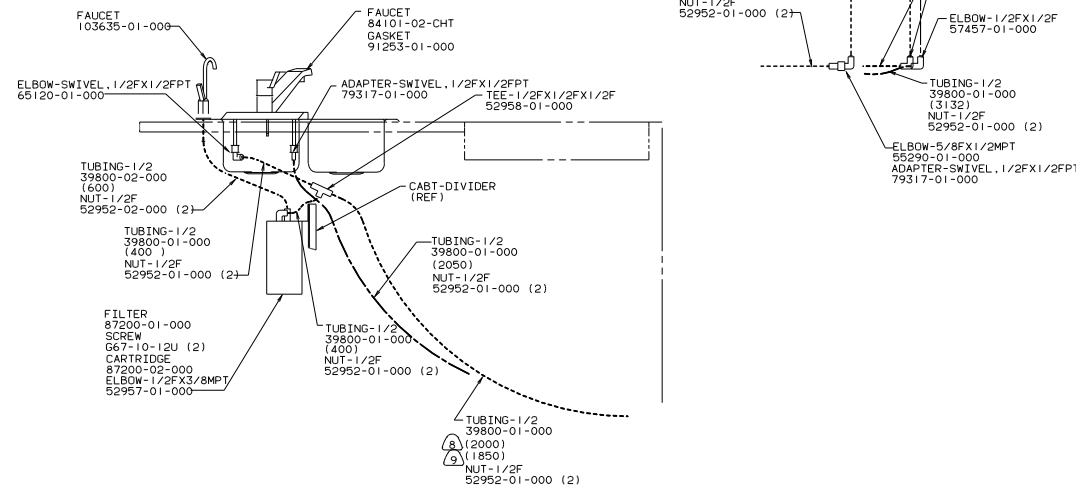
DETAIL H  
WINNEBAGO W/OUT PURIFIER



DETAIL F  
WITH TWIN BED



DETAIL H  
WINNEBAGO WITH PURIFIER



DETAIL H  
ITASCA WITH PURIFIER