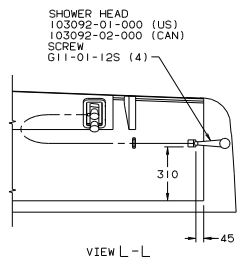
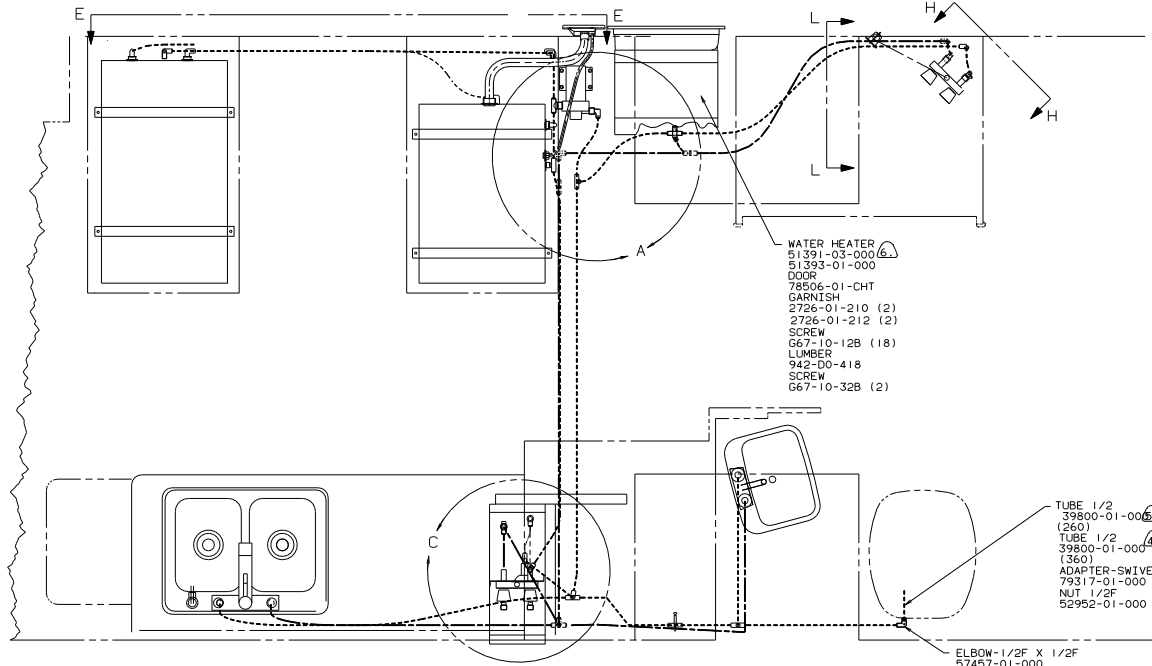


- NOTES:
1. SLOPE OF HORIZONTAL PIPING TO BE 6 PER 300 MINIMUM.
  2. SLOPE OF TRAP MUST BE 6 PER 300 MINIMUM.
  3. ALL PIPE AND FITTINGS TO BE ASSEMBLED WITH SOLVENT 4020-01-000.
  4. FOR CANADIAN UNITS EACH HOLDING TANK SHALL HAVE A CSA APPROVAL STAMPED NEAR IAPMO APPROVAL.
  5. SEAL ALL AROUND SHOWER WITH SILICON 78474-01-CHT.
  6. SEE DWG 61607-01-000 FOR INSTL OF GROMMET.
  7. VENT PIPE MUST PROJECT 51MM MIN TO 64MM MAX ABOVE ROOF FOR PROPER FIT AND FUNCTION.
  8. SECURE VENT TUBES TO FLOOR.
  9. DIMENSION IS FROM CENTERLINE OF PIPE TO CENTERLINE OF FRONT AXLE.
  10. SEE DRAWING 93128-02-000 FOR TANK INSTL.
  11. TRIM P-TRAP EXTENSION TO FIT.

**WINNENAGO** 92 W/ICN32R0

DTRM.	ISSUED FOR TOLERANCES AND MATERIAL.
CHG.	SCALE FOR 1:1
P.E.	SCALE FOR 1:1
P.L.	SCALE FOR 1:1
CHG.	SCALE FOR 1:1
CHG.	SCALE FOR 1:1

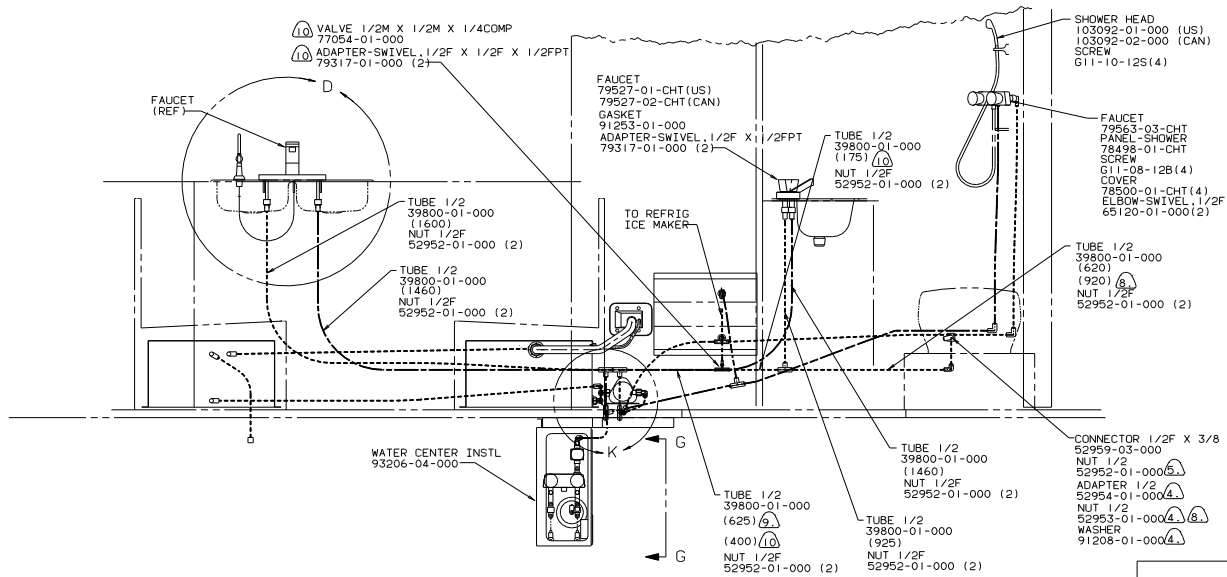
LAYER N33R00 TITLE: DRAINAGE SYSTEM INSTL  
 SHEET 1 OF 1  
 DATE: 104160



- WATER HEATER
- 51391-03-000 (6)
- 51395-01-000
- DOOR
- 78506-01-CHT
- 2726-01-210 (2)
- 2726-01-212 (2)
- SCREW
- G67-10-12B (18)
- LUMBER
- 942-00-418
- SCREW
- G67-10-32B (2)

- TUBE 1/2
- 39800-01-000 (260)
- TUBE 1/2
- 39800-01-000 (360)
- ADAPTER-SWIVEL, 1/2F X 1/2FPT
- 79317-01-000
- NUT 1/2F
- 52952-01-000 (2)

- ELBOW-1/2F X 1/2F
- 57457-01-000



- VALVE 1/2M X 1/2M X 1/4COMP
- 77054-01-000
- ADAPTER-SWIVEL, 1/2F X 1/2F X 1/2FPT
- 79317-01-000 (2)

- FAUCET
- 79527-01-CHT (US)
- 79527-02-CHT (CAN)
- GASKET
- 91253-01-000
- ADAPTER-SWIVEL, 1/2F X 1/2FPT
- 79317-01-000 (2)

- SHOWER HEAD
- 103092-01-000 (US)
- 103092-02-000 (CAN)
- SCREW
- G11-10-12S(4)

- FAUCET
- 79563-03-CHT
- PANEL-SHOWER
- 78498-01-CHT
- SCREW
- G11-08-12B(4)
- COVER
- 78500-01-CHT(4)
- ELBOW-SWIVEL, 1/2F
- 65120-01-000(2)

- TUBE 1/2
- 39800-01-000 (1600)
- NUT 1/2F
- 52952-01-000 (2)

- TUBE 1/2
- 39800-01-000 (1460)
- NUT 1/2F
- 52952-01-000 (2)

- TUBE 1/2
- 39800-01-000 (175)
- NUT 1/2F
- 52952-01-000 (2)

- TUBE 1/2
- 39800-01-000 (620)
- NUT 1/2F
- 52952-01-000 (2)

- WATER CENTER INSTL
- 93206-04-000

- TUBE 1/2
- 39800-01-000 (625)
- NUT 1/2F
- 52952-01-000 (2)

- TUBE 1/2
- 39800-01-000 (925)
- NUT 1/2F
- 52952-01-000 (2)

- CONNECTOR 1/2F X 3/8 MPT
- 52959-03-000
- NUT 1/2
- 52952-01-000
- ADAPTER 1/2
- 52954-01-000
- NUT 1/2
- 52953-01-000
- WASHER
- 91208-01-000

- 10 USE WITH ICEMAKER.
- 9 USE WITHOUT ICEMAKER.
- 8 USE WITH TOILET 85321-03-CHT.
- 7 USE WITH WATER FILTER.
- 6 USE WITHOUT MOTOR AID.
- 5 USE WITH AQUA MAGIC.
- 4 USE WITH AQUA IV.

3. ALL TUBING TO BE SECURED AT 1200 INTERVALS MAXIMUM. WITH CLIP 91951-01-000 AND SCREW G13-06-16U.
2. TUBING TO BE INSTALLED WITH SUFFICIENT SLOPE TO PROVIDE DRAINAGE TO NEAREST VALVE.
1. PLASTIC FITTINGS TO BE SEALED WITH SEALANT 84456-01-000.

LEGEND

HOT	-----
COLD	-----

**WINNERAGO** 92 W/1CN32R0

OPTN	UNSPECIFIED TOLERANCES ARE:	MATERIAL
CHRP	WHOLE DIM (IN) ± 1.5	
PL	ONE-PLACE (IN.XI) ± 0.5	
PL	TWO-PLACE (IN.XXX) ± 0.5	
CDR	ANGLE	
	THRU HOLE PROJECTION	

LANP# N32R01 TITLE: WATER SYSTEM INSTL  
 DIA # SCALE: NONE 30 NET SCALE DRAWING SIZE: 11.6 X 17  
 ALL DIMENSIONS ARE IN MILLIMETERS SHEET 1 OF 3

