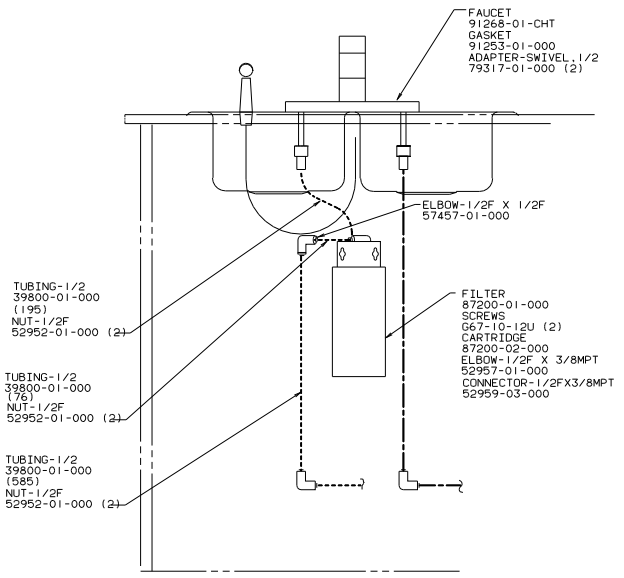
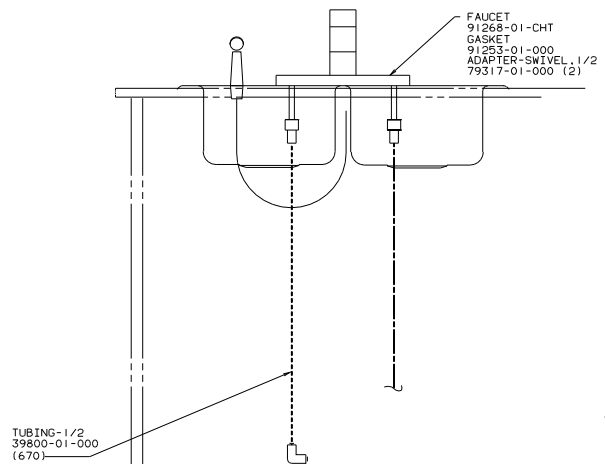


- 10 SEE DRAWING 93128-02-000 FOR TANK INSTALLATION.
 9 LOCATE CLAMP ON GALLEY CABINET FOR PROPER SLOPE.
 8 SECURE VENT TUBES TO FLOOR.
 7 VENT PIPE MUST BE PROJECTED 51 TO 64 MAXIMUM ABOVE ROOF FOR PROPER FIT AND FUNCTION.
 6 SEE DRAWING 61607-01-000 FOR INSTALLATION OF GROMMET.
 5 SEAL ALL AROUND SHOWER WITH SILICONE 78474-01-CHT.
 4 FOR CANADIAN UNITS EACH HOLDING TANK SHALL HAVE A CSA APPROVAL STAMPED NEAR IAPMO APPROVAL.
 3 ALL PIPE AND FITTINGS TO BE ASSEMBLED WITH SOLVENT 4020-01-000.
 2 SLOPE OF TRAP MUST BE 6 PER 300 MINIMUM.
 1 SLOPE OF HORIZONTAL PIPING TO BE 6 PER 300 MINIMUM.

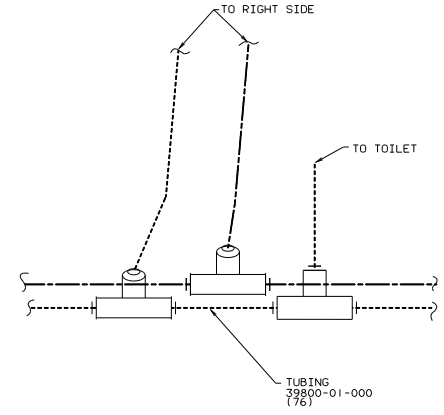
WINNAPCO 92 W/1CN3IRU	
DATE	UNSPECIFIED TOLERANCES ARE: MATERIAL
COMP	WHOLE OR 1/2"
PTH	1/16" (1/32")
PL	1/16" (1/32")
CDR	1/16" (1/32")
CHK	1/16" (1/32")
APP	1/16" (1/32")
DATE	1/16" (1/32")
SCALE	1/16" (1/32")
PROJECT	1/16" (1/32")
DRWING NO.	103326



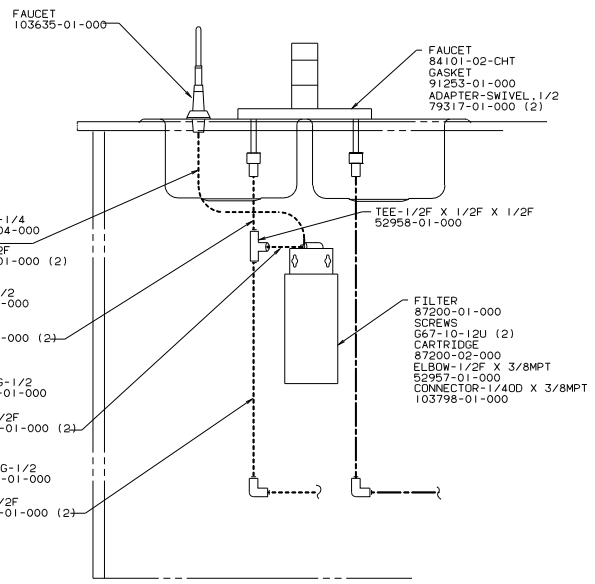
DETAIL D WINNEBAGO W/PURIFIER



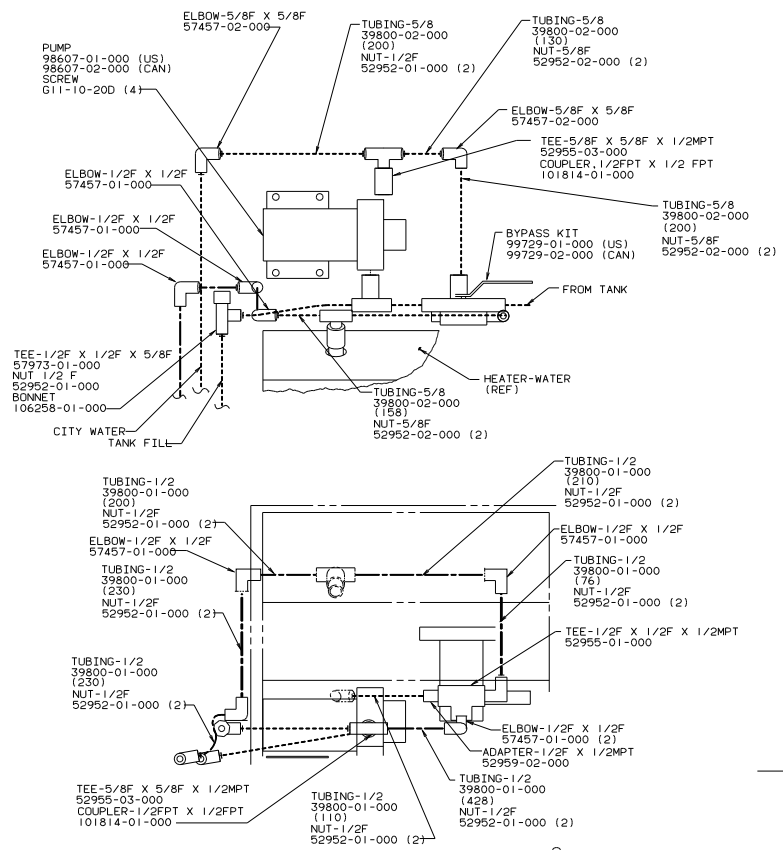
DETAIL D WINNEBAGO W/OUT PURIFIER



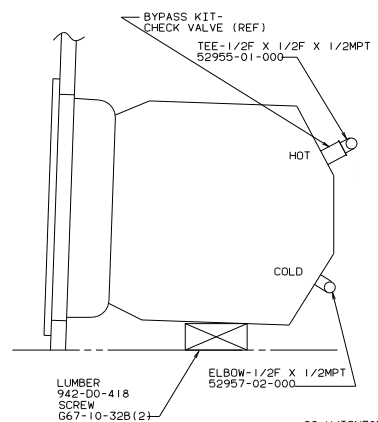
VIEW E-E



DETAIL D ITASCA W/PURIFIER

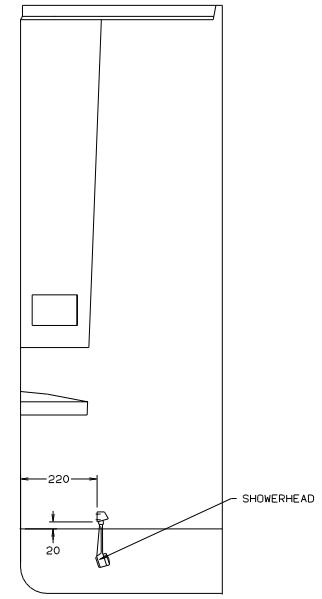
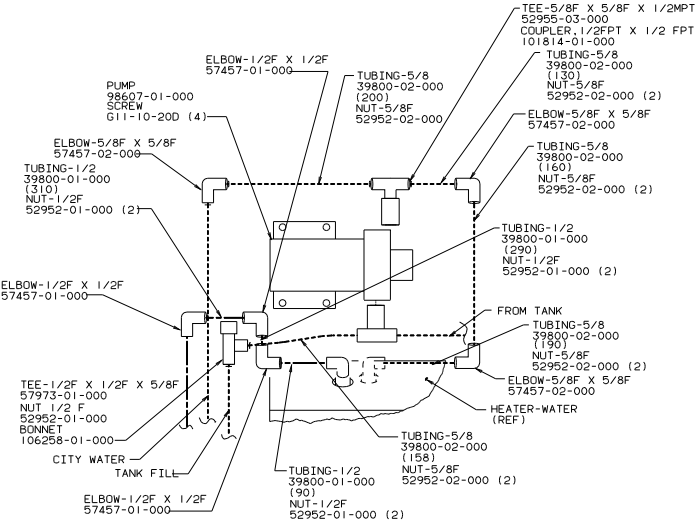
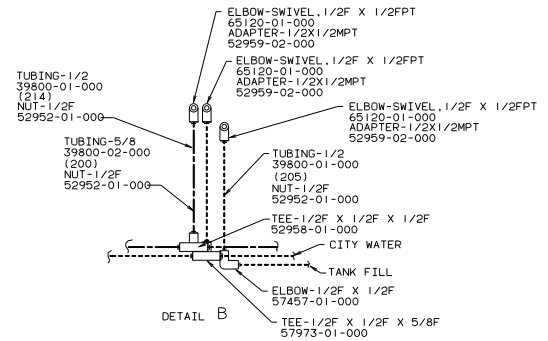


DETAIL C WATER HEATER WITH BYPASS

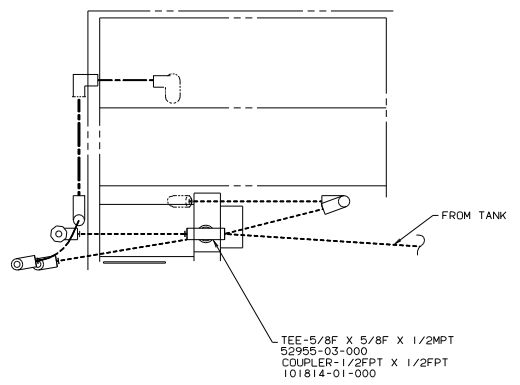


92 W/ICN30RU

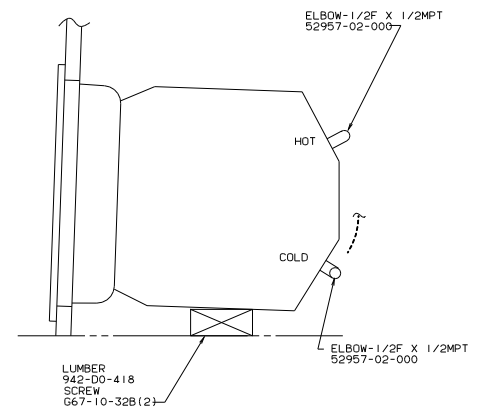
TITLE: WATER SYSTEM INSTL	
30 NET SCALE DRAWING	REV 1
SHEET 2 OF 3	DATE



VIEW G-G



DETAIL F
WATER HEATER
W/OUT BYPASS



TITLE: WATER SYSTEM INSTL		DWG NO 103809	
30 NET SCALE DRAWING	3	3	1
SHEET 3	OF 3	1	1