

TOILET
 84738-01-CHT(AQUA IV)(I)
 78665-01-CHT(AQUA MAGIC)(W)
 85321-03-CHT(CHINA)
 24676-01-000(US)
 24676-02-000(CAN)
 63641-01-000(US)
 87721-01-000(6)(CHINA)

PLATE COVER
 94346-04-000
 STAPLE
 5408-01-000
 PIPE-3IN
 10197-01-000(US)
 10197-02-000(CAN)
 100
 245
 ELBOW-1 1/2 X 45
 10006-01-000

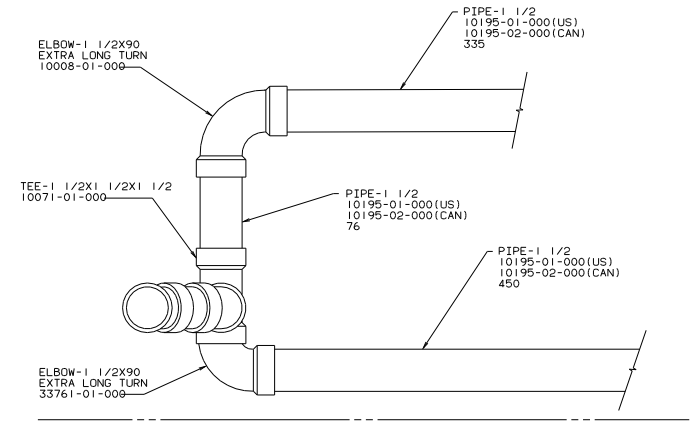
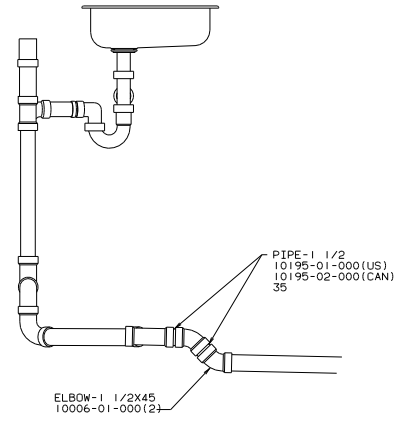
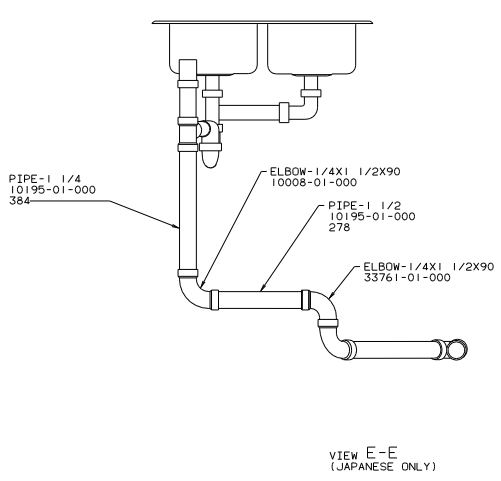
LUMBER
 52371-B0-100
 (ON EDGE)

PLATE
 94346-02-000

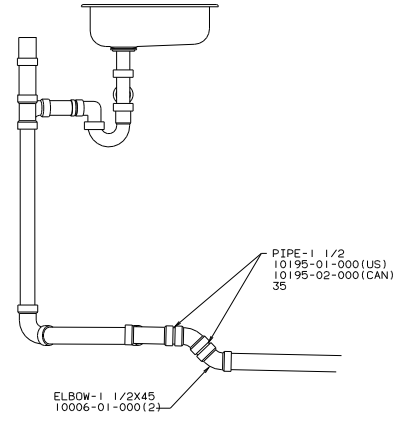
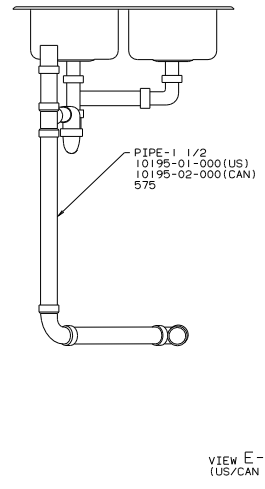
GROMMET
 61607-01-000
 COUPLING-1 1/2
 10115-01-000
 PIPE-1 1/2
 10195-01-000(US)
 10195-02-000(CAN)
 55

5. SEAL ALL AROUND SHOWER WITH SILICONE 78474-01-CHT.
 4. FOR CANADIAN UNITS EACH HOLDING TANK SHALL HAVE A CSA APPROVAL STAMPED NEAR IAPMO APPROVAL.
 3. ALL PIPE AND FITTINGS TO BE ASSEMBLED WITH SOLVENT 4020-01-000.
 2. SLOPE OF TRAP MUST BE 6 PER 300 MINIMUM.
 1. SLOPE OF HORIZONTAL PIPING TO BE 6 PER 300 MINIMUM.

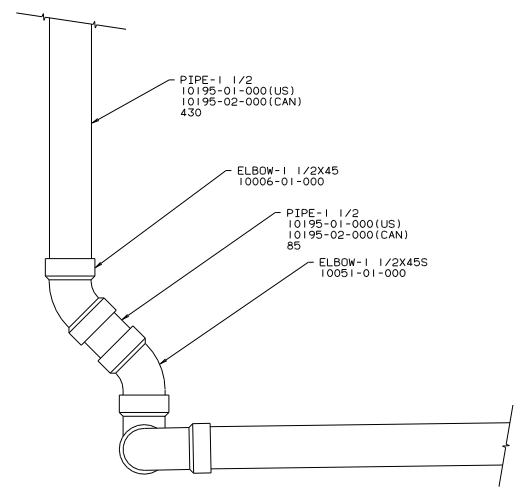
WINNBERGO		92 W/ICN28RT
DATE	UNSPECIFIED TOLERANCES ARE:	MATERIAL:
DWG NO	WHOLE DIM TO .1	
P/E	ONE-PLACE TO .2	
M/E	TWO-PLACE TO .3	
THIRD PLACE PROJECTION		
LAYER NO	TITLE:	
104863	DRAINAGE SYSTEM INSTL	
DATE	SCALE: 0:1	DO NOT SCALE DIMENSIONS
104863	1 OF 2	104863



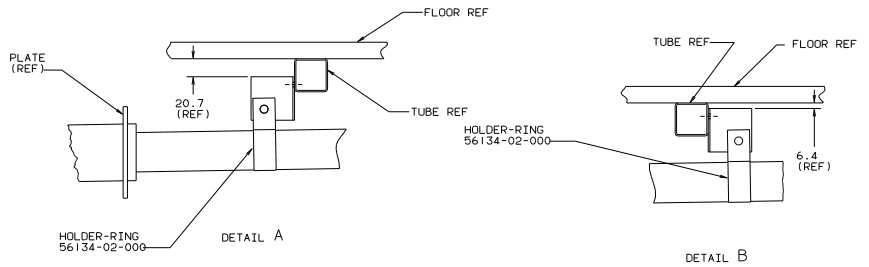
VIEW F-F

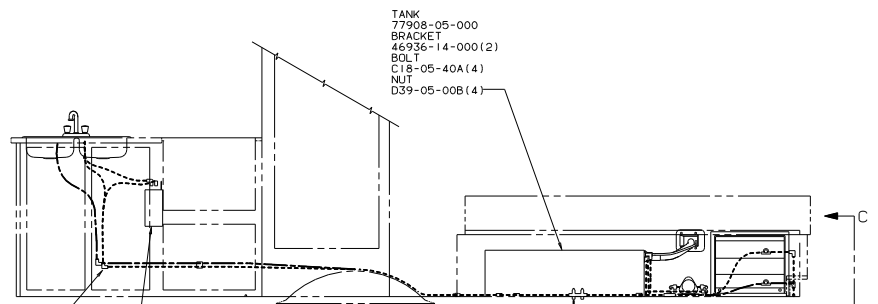
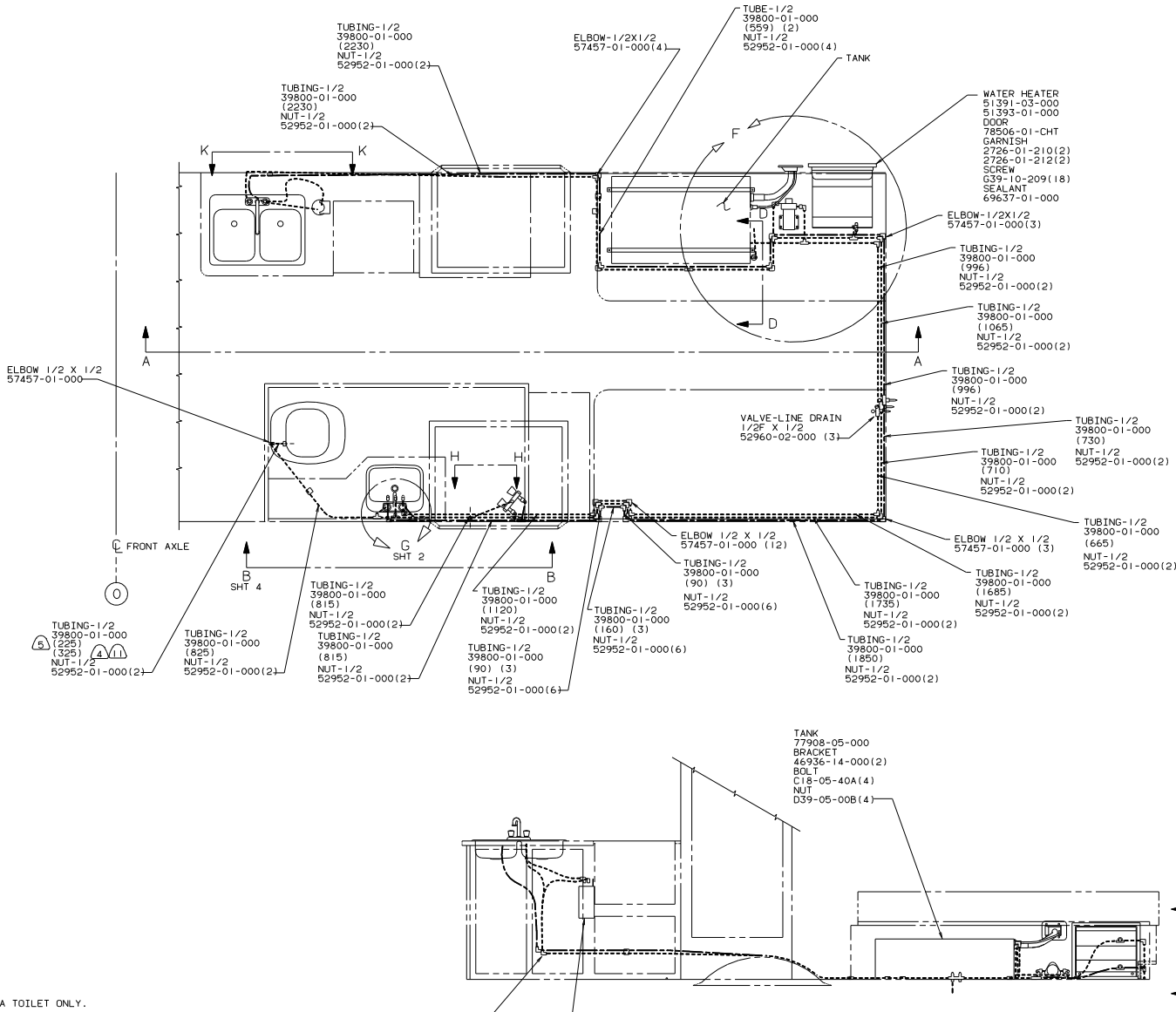


VIEW E-E
(US/CAN ONLY)



VIEW C-C



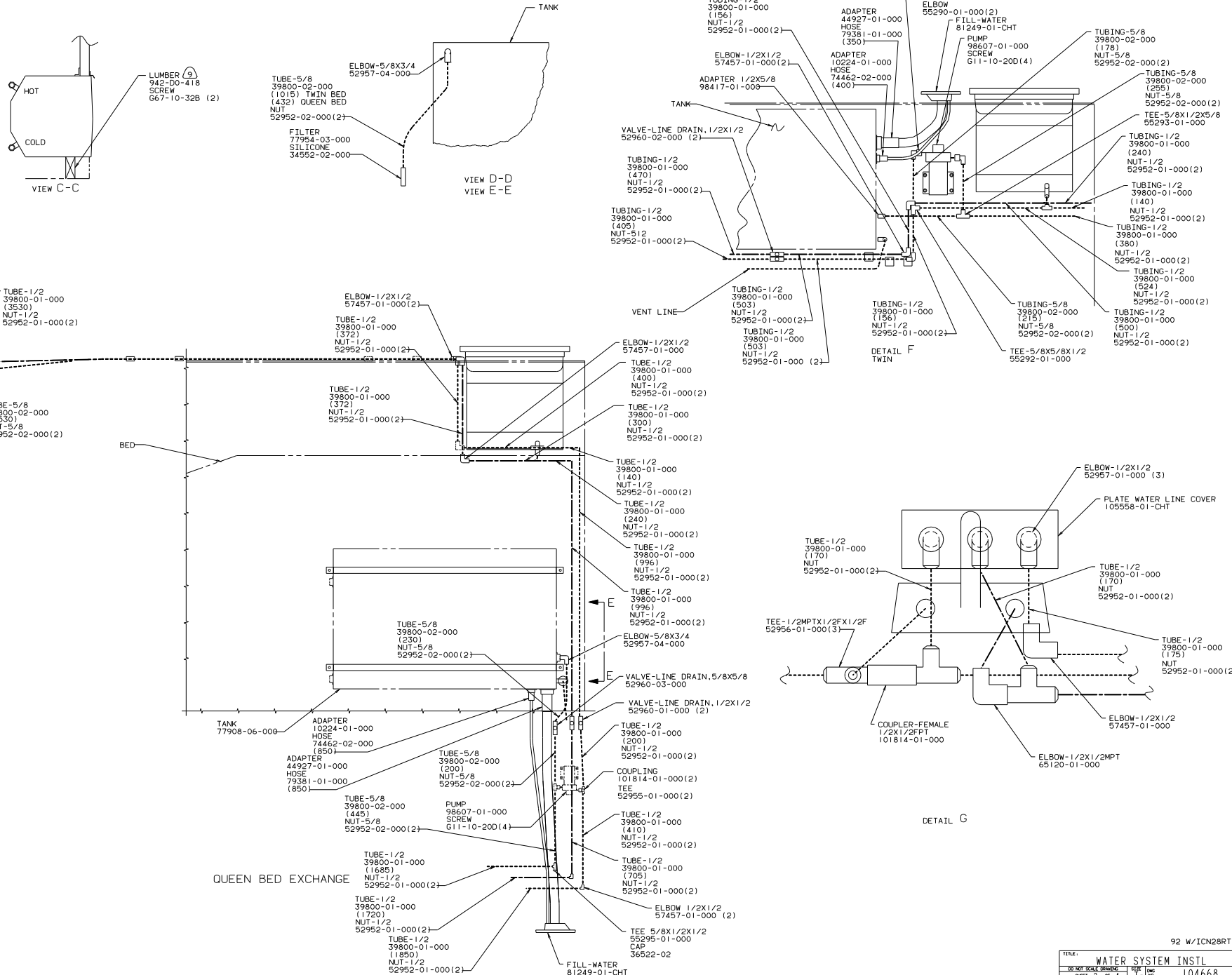


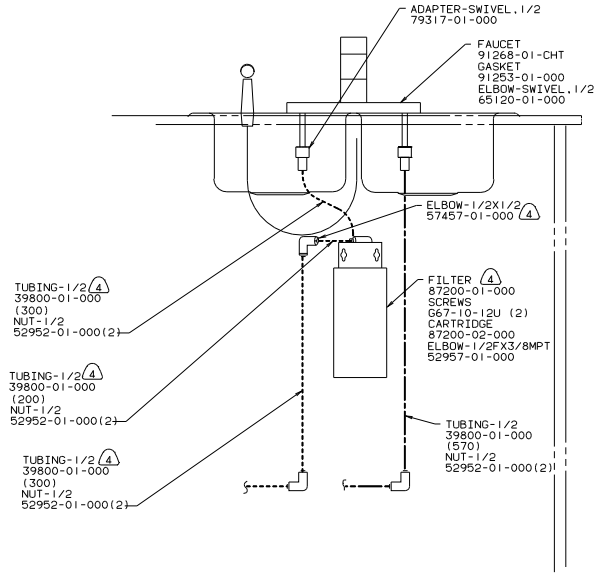
VIEW A-A

- ① USE WITH CHINA TOILET ONLY.
 - ② USE WITH JAPANESE MODEL ONLY.
 - ③ LOCATE LUMBER TO SUPPORT WATER HEATER.
 - ④ SCREW WOOD TO UNDERSIDE OF WARDROBE CABINET SCREW BYPASS VALVE TO WOOD.
 - ⑤ USE WITHOUT WATER FILTER.
 - ⑥ USE WITH WATER FILTER OPTION ONLY.
 - ⑦ USE WITH AQUA MAGIC.
 - ⑧ USE WITH AQUA IV.
3. ALL TUBING TO BE SECURED AT 1200 INTERVALS MAXIMUM, WITH CLIP 91951-01-000 (REF) AND SCREW G13-06-16U (REF).
2. TUBING TO BE INSTALLED WITH SUFFICIENT SLOPE TO PROVIDE DRAINAGE TO NEAREST VALVE.
1. PLASTICS FITTINGS TO BE SEALED WITH SEALANT 84456-01-000.

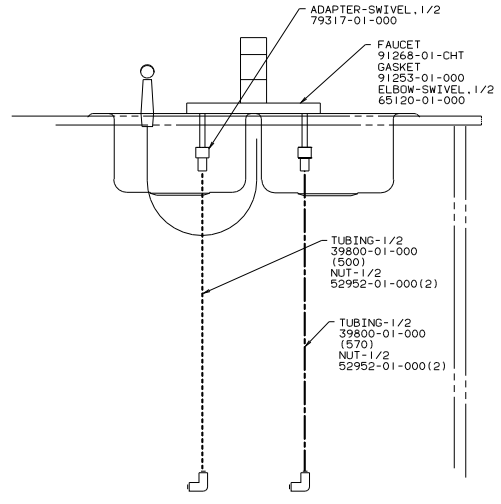
LEGEND	
	HOT
	COLD

WINNERAGO 92 W/1CN28RT	
OPTN	UNSPECIFIED TOLERANCES ARE:
CHRP	ANGLE DIM (IN) ± 0.1
PL	ONE-PLACE (IN.XI) ± 0.1
PL	TWO-PLACE (IN.XXX) ± 0.1
DR	ANGLE
CDR	THRU ANGLE PROJECTION
LANPT	N28RT12
REV	DATE
TITLE: WATER SYSTEM INSTL	
DIA #	SCALE: 0:1
ALL DIMENSIONS ARE IN MILLIMETERS	SHEET 1 OF 4
WINNERS	104668

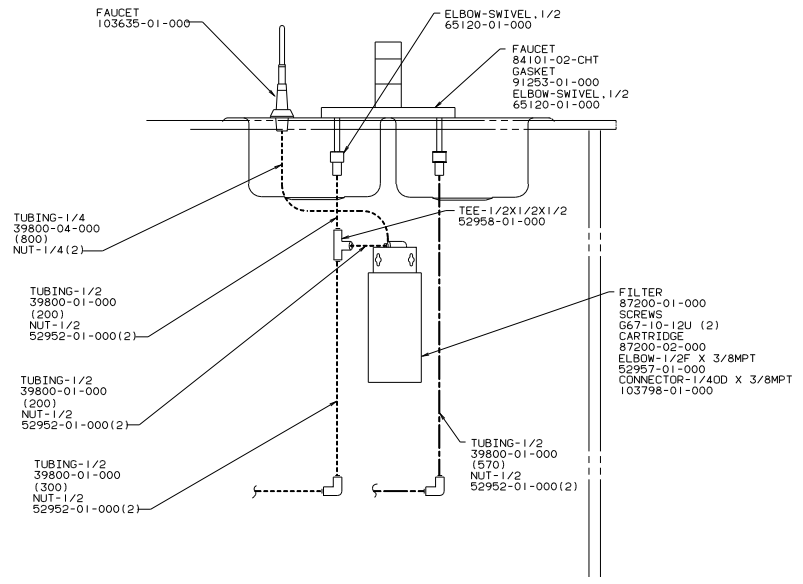




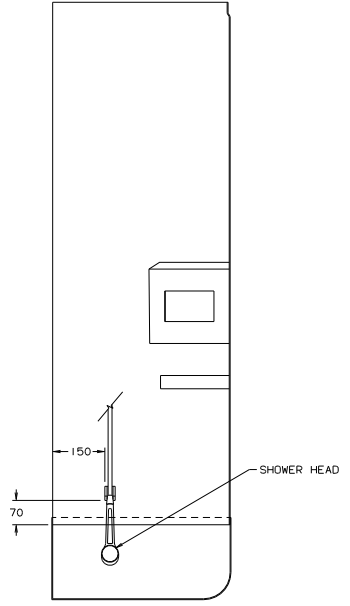
DETAIL K
(ROTATED 180°)
WINNEBAGO W/PURIFIER



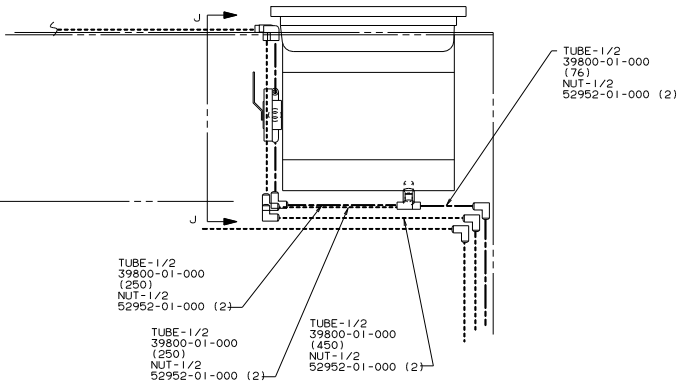
DETAIL K
(ROTATED 180°)
WINNEBAGO/JAPANESE
W/OUT PURIFIER



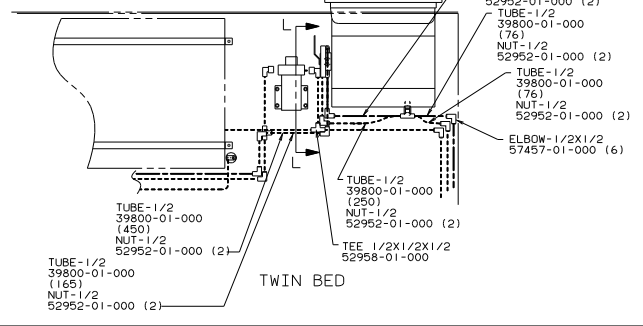
DETAIL K
(ROTATED 180°)
ITASCA W/PURIFIER



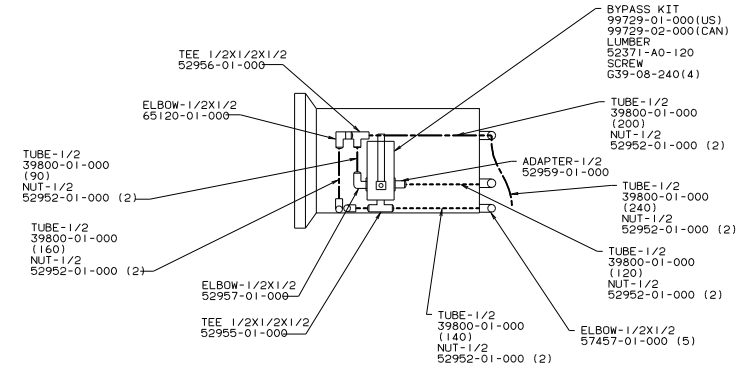
VIEW H-H



QUEEN BED

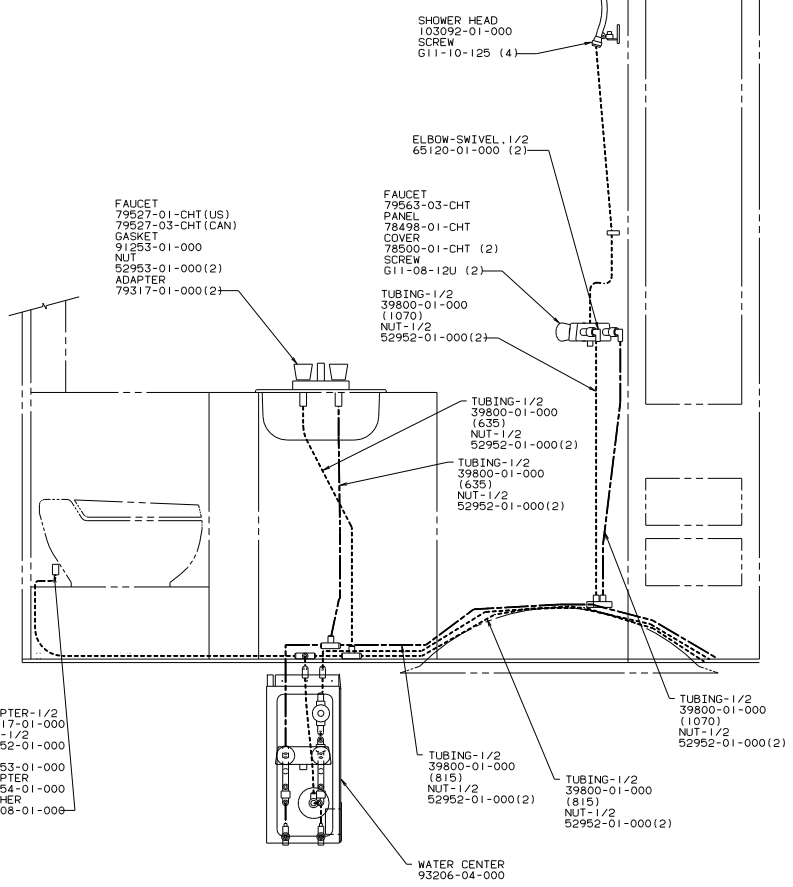


TWIN BED

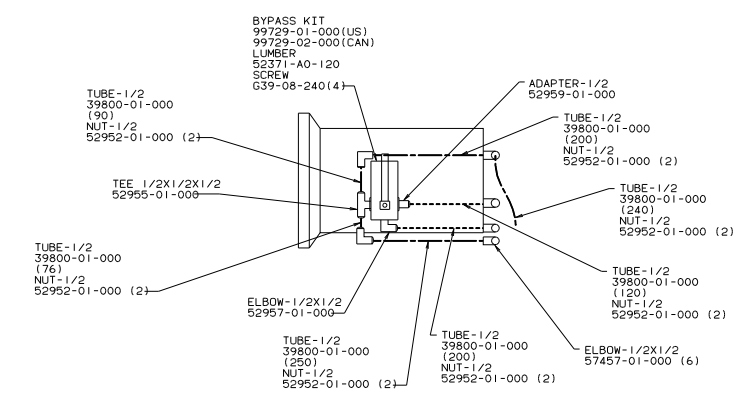


QUEEN BED WITH BYPASS VALVE

VIEW J-J



VIEW B-B



TWIN BED WITH BYPASS VALVE

VIEW L-L

WATER HEATER BYPASS OPTION

- (S) (A) ADAPTER-1/2 79317-01-000
- (S) (A) NUT-1/2 52952-01-000
- (S) (A) NUT 52953-01-000
- (S) (A) ADAPTER 52954-01-000
- (S) (A) WASHER 91208-01-000