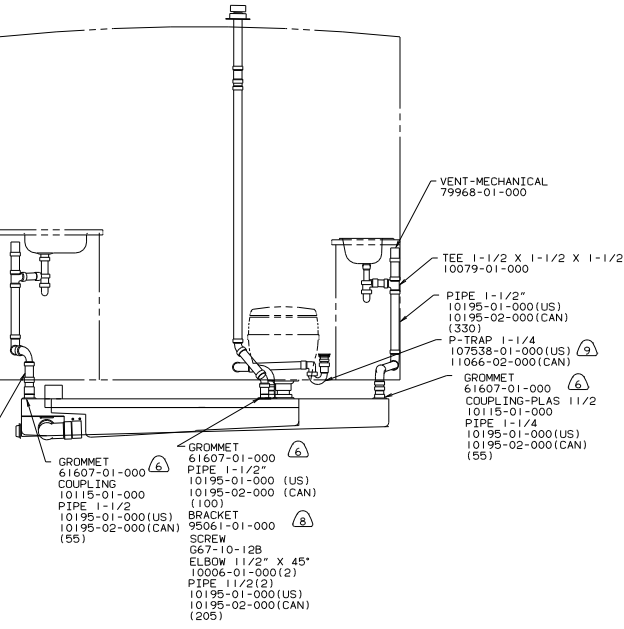


- (9) TRIM P-TRAP EXTENSION TO FIT.
  - (8) SECURE VENT TUBES TO FLOOR.
  - (7) VENT PIPE MUST BE PROJECTED 51 TO 64 MAXIMUM ABOVE ROOF FOR PROPER FIT AND FUNCTION.
  - (6) SEE DRAWING 61607-01-000 FOR INSTALLATION OF GROMMET.
5. SEAL ALL AROUND SHOWER WITH SILICONE 78474-01-CHT.
  4. FOR CANADIAN UNITS EACH HOLDING TANK SHALL HAVE A CSA APPROVAL STAMPED NEAR IAPMO APPROVAL.
  3. ALL PIPE AND FITTINGS TO BE ASSEMBLED WITH SOLVENT 4020-01-000.
  2. SLOPE OF TRAP MUST BE 6 PER 300 MINIMUM.
  1. SLOPE OF HORIZONTAL PIPING TO BE 6 PER 300 MINIMUM.

NOTES:



WINNERAGO			92 W/1CG32R0
DATE	REV	DESCRIPTION	DATE

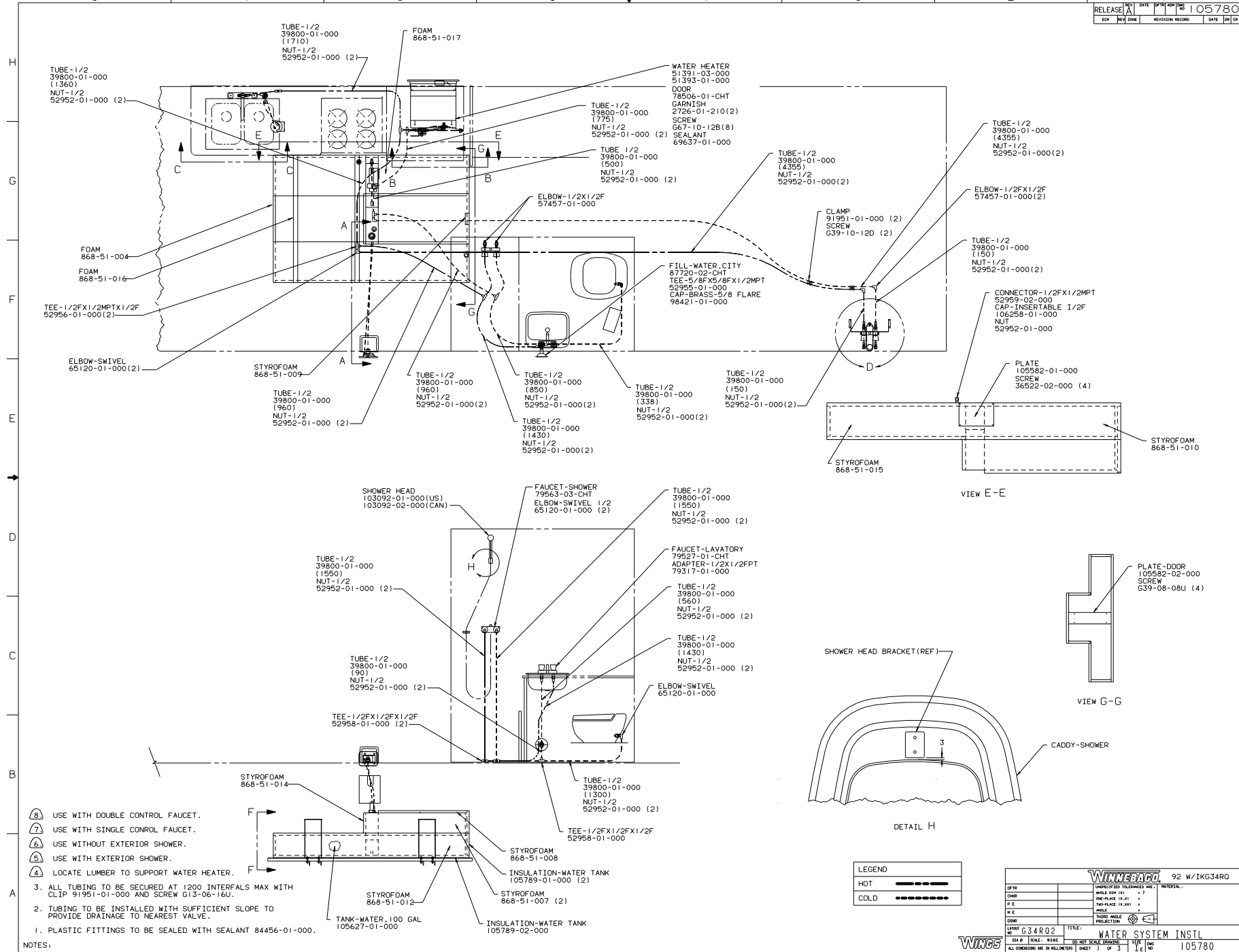
  

UNITS	UNDESIGNED TOLERANCES ARE:	MATERIAL
DRIP	MILL ON 13"	
PIPE	MILL ON 13"	
P/E	MILL ON 13"	

SCALE	TITLE	DATE
AS SHOWN	DRAINAGE SYSTEM INSTL	

SHEET NO. 1 OF 1  
 REF: I04598  
 I04740



- ⑧ USE WITH DOUBLE CONTROL FAUCET.
  - ⑦ USE WITH SINGLE CONTROL FAUCET.
  - ⑥ USE WITHOUT EXTERIOR SHOWER.
  - ⑤ USE WITH EXTERIOR SHOWER.
  - ④ LOCATE LUMBER TO SUPPORT WATER HEATER.
3. ALL TUBING TO BE SECURED AT 1200 INTERVALS MAX WITH CLIP 91951-01-000 AND SCREW G13-06-16W.
  2. TUBING TO BE INSTALLED WITH SUFFICIENT SLOPE TO PROVIDE DRAINAGE TO NEAREST VALVE.
  1. PLASTIC FITTINGS TO BE SEALED WITH SEALANT 84456-01-000.

