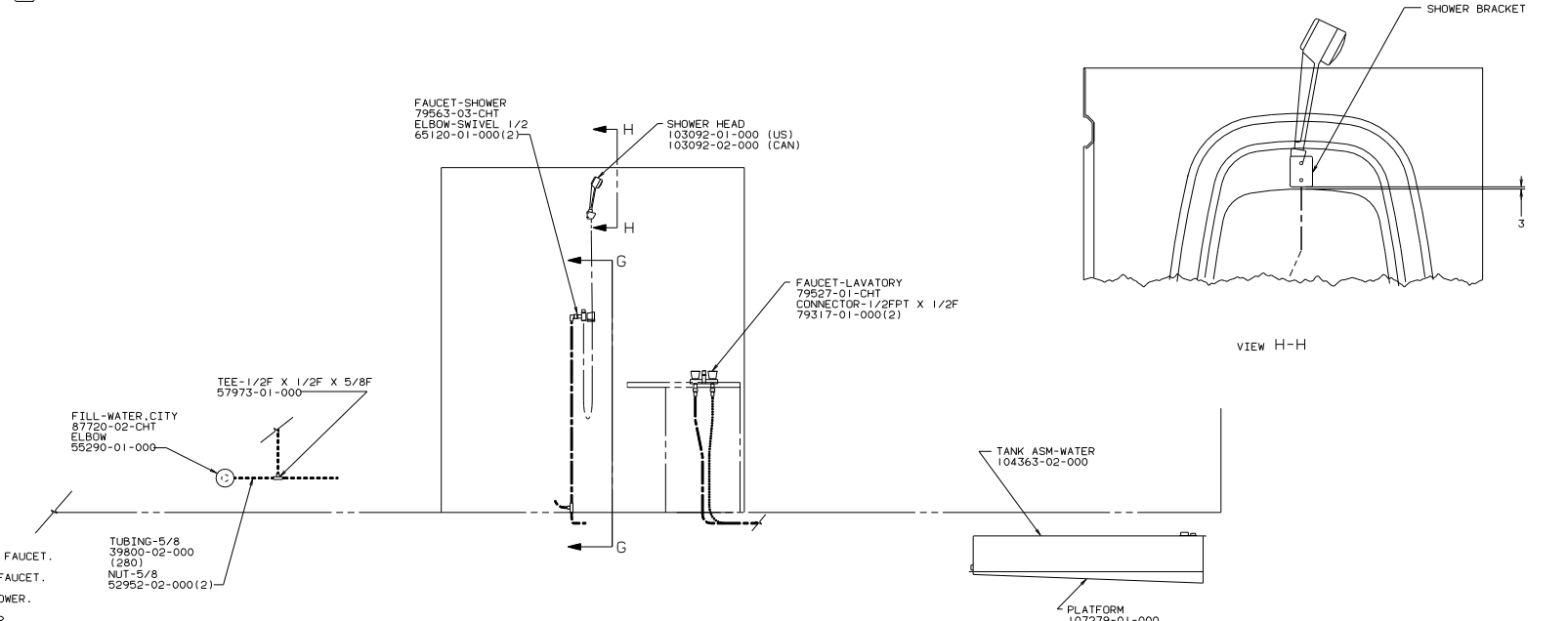
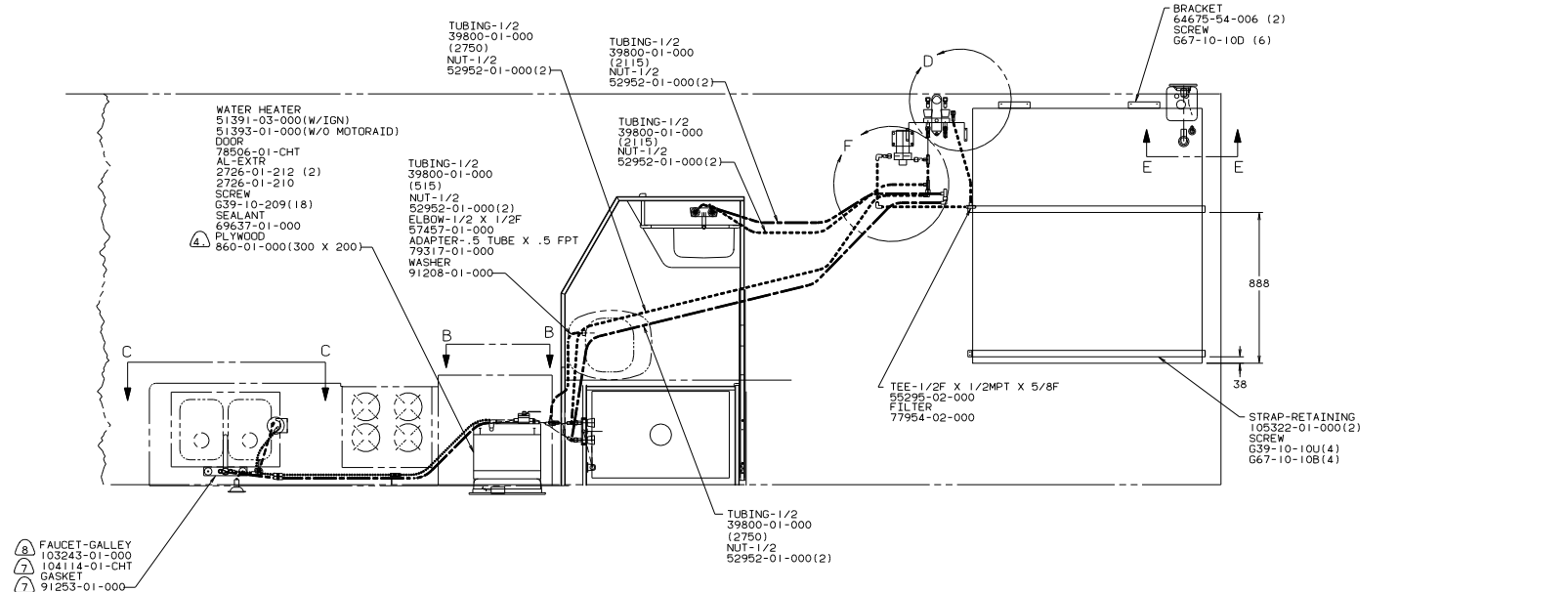


5. SEAL ALL AROUND SHOWER WITH SILICONE 78474-01-CHT.
4. FOR CANADIAN UNITS EACH HOLDING TANK SHALL HAVE A CSA APPROVAL STAMPED NEAR IAPMO APPROVAL.
3. ALL PIPE AND FITTINGS TO BE ASSEMBLED WITH SOLVENT 4020-01-000.
2. SLOPE OF TRAP MUST BE 6 PER 300 MINIMUM.
1. SLOPE OF HORIZONTAL PIPING TO BE 6 PER 300 MINIMUM.

WINNAPCO 92 WCG34RA

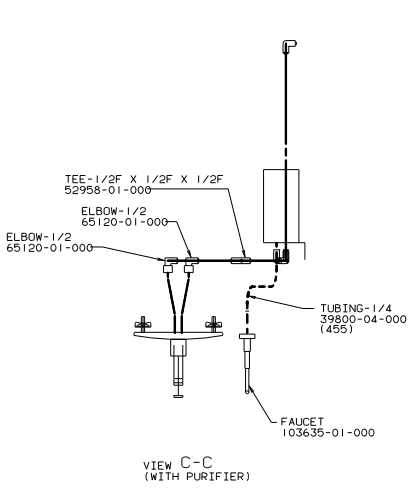
DATE	UNSPECIFIED TOLERANCES ARE:	MATERIAL
DRW	WHOLE DIMS (X)	
REV	ONE-PLACE (X.XX)	
REV	TWO-PLACE (X.XXX)	
REV	ANGLE	
REV	ROUND	
REV	THRU HOLES	
REV	PROJECTION	

LANO# G34WA2 TITLE: DRAINAGE SYSTEM INSTL
 DIA # SCALE: NONE DO NOT SCALE DRAWING
 ALL DIMENSIONS ARE IN MILLIMETERS SHEET 1 OF 1

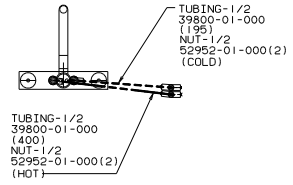
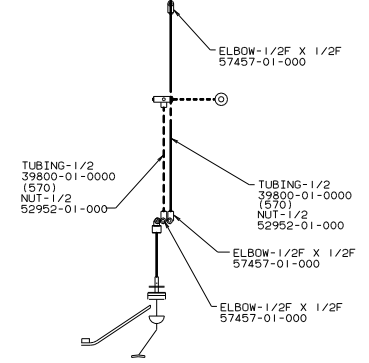
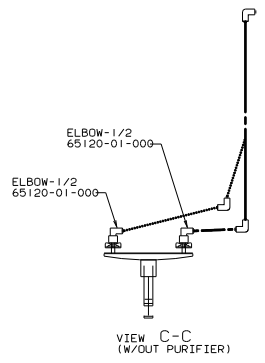
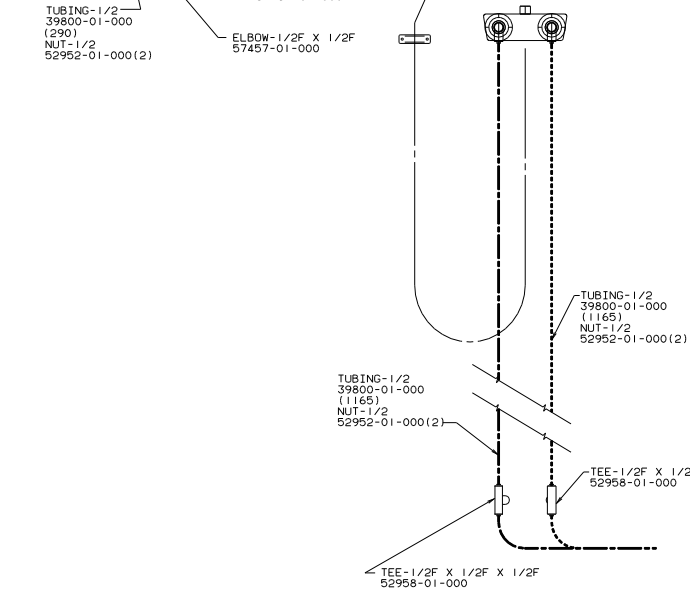
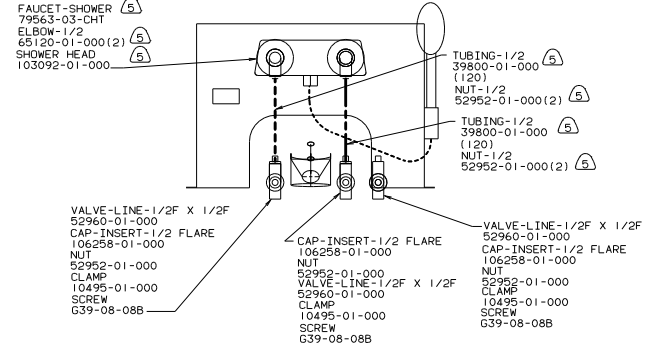
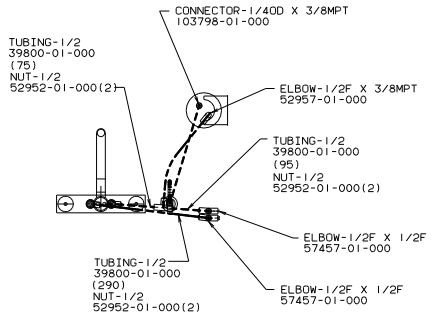
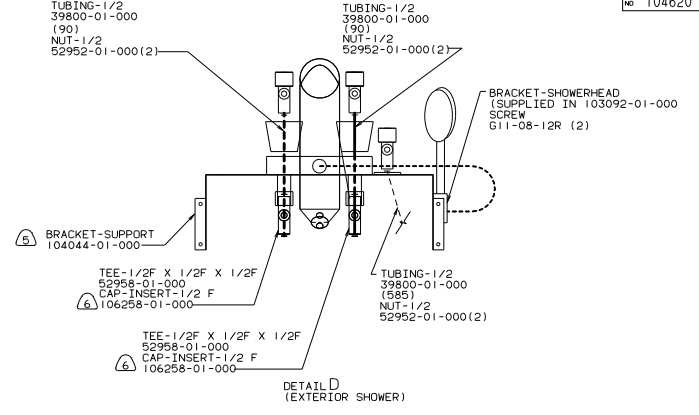
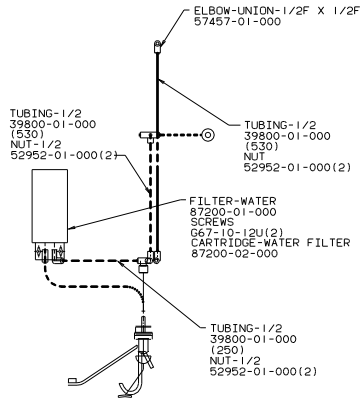


- 8 USE WITH DOUBLE CONTROL FAUCET.
 - 7 USE WITH SINGLE CONTROL FAUCET.
 - 6 USE WITHOUT EXTERIOR SHOWER.
 - 5 USE WITH EXTERIOR SHOWER.
 - 4 LOCATE LUMBER TO SUPPORT WATER HEATER.
3. ALL TUBING TO BE SECURED AT 1200 INTERFALS MAX WITH CLIP 91951-01-000 AND SCREW G13-06-16U.
 2. TUBING TO BE INSTALLED WITH SUFFICIENT SLOPE TO PROVIDE DRAINAGE TO NEAREST VALVE.
 1. PLASTIC FITTINGS TO BE SEALED WITH SEALANT 84456-01-000.

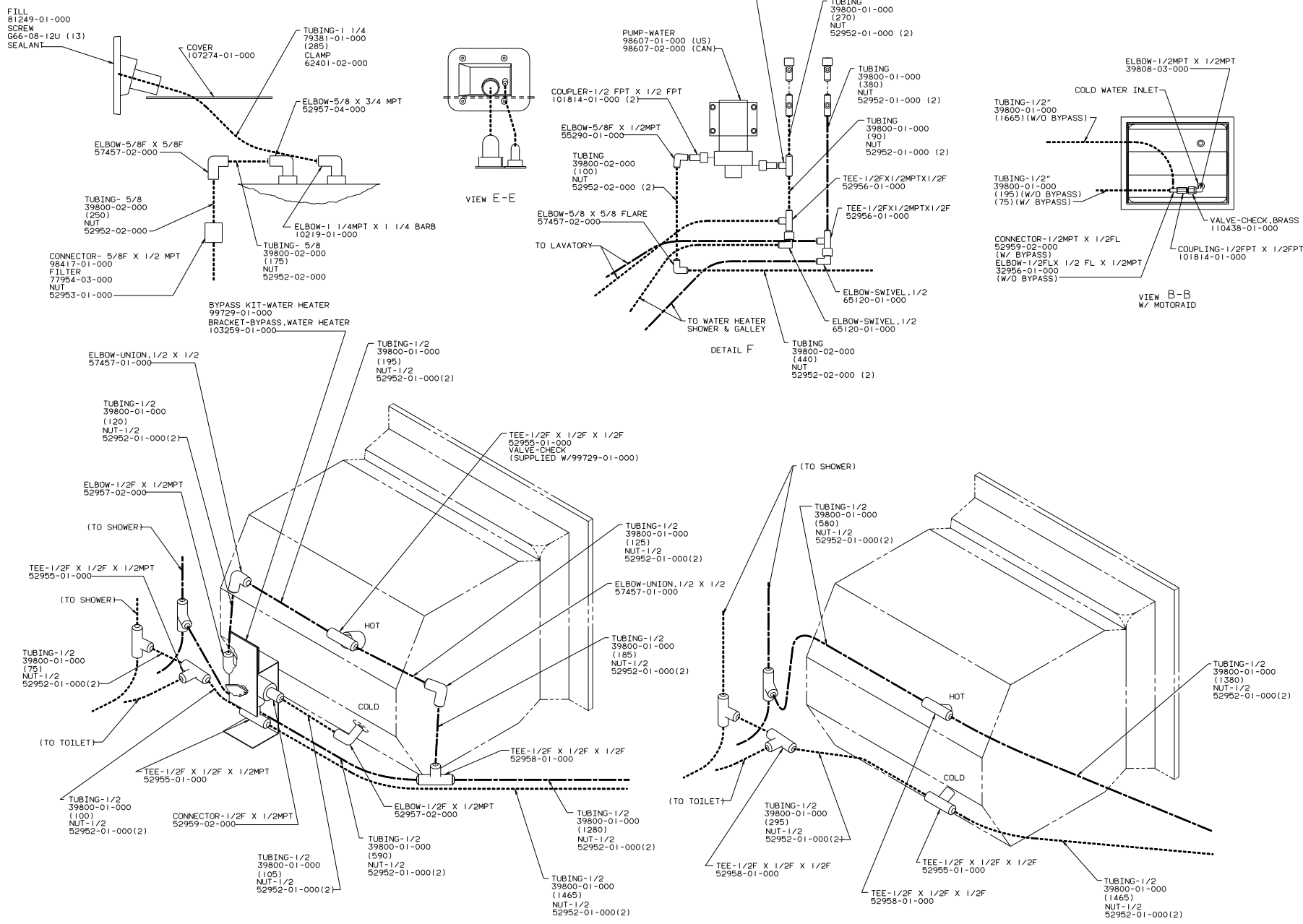
WINNEBAGO		92 WCG34RA
DATE	UNSPECIFIED TOLERANCES ARE:	MATERIAL
CHDR	ANGLE DIM (IN)	
DATE	ONE-PLACE (IN.XI)	1:1.5
DATE	TWO-PLACE (IN.XXX)	
DATE	ANGLE	
DATE	THIRD ANGLE	
DATE	PROJECTION	
LANO#	G34WA2	TITLE: WATER SYSTEM INSTL
DIA #	SCALE: NONE	DO NOT SCALE DRAWING
ALL DIMENSIONS ARE IN MILLIMETERS	SHEET 1 OF 3	DATE 104620



VIEW C-C
(WITH PURIFIER)



TITLE:		WATER SYSTEM INSTL	
30 NET SCALE DRAWING	SHEET	2	OF 3
104620	REV	1	DATE



TITLE: WATER SYSTEM INSTL	
30 NET SCALE DRAWING	REV 1.0
SHEET 3 OF 3	104620