

SHOWER INSTL-ENCLOSURE
 104466-01-000
 STRAINER-TUB
 66729-01-000
 SEALER
 69640-01-000
 NUT
 66435-01-000
 NUT-SLIP
 66436-01-000
 WASHER
 69735-01-000
 TAILPIECE
 11069-06-000

GROMMET
 61607-01-000 (6)
 COUPLING-PLAS 1 1/2
 10115-01-000
 PIPE 1-1/2"
 10195-01-000 (US)
 10195-02-000 (CAN)
 (55)
 BRACKET
 95061-01-000 (8)
 SCREW
 G67-10-12B

COUPLER-RUBBER 3" X 3"
 78406-01-000
 PIPE
 10197-01-000 (US)
 10197-02-000 (CAN)
 (70)
 CLAMP
 62405-05-000 (2)

SINK-SST.DOUBLE
 104113-01-CHT (US)
 104113-02-CHT (CAN)
 CATCH
 101272-01-000 (10)
 SCREW
 G11-08-08U(20)

PIPE 1-1/4"
 10194-01-000 (US)
 (50)
 10194-02-000 (CAN)
 (140)
 ADAPTER
 107537-01-000 (US)
 BRACKET
 110756-01-000 (2)
 ADAPTER-OFFSET REDUCER
 3" X 1-1/2"
 62422-01-000
 PIPE 1 1/2"
 10195-01-000 (US)
 10195-02-000 (CAN)
 (35)

PIPE 1-1/2"
 10195-01-000 (US)
 10195-02-000 (CAN)
 (315)
 ELBOW
 10008-01-000

CAP ASM-VENT PIPE
 89069-01-CHT
 PIPE 1-1/2"
 10195-01-000 (US)
 10195-02-000 (CAN)
 (295)
 TEE
 10071-01-000

PIPE 1-1/2"
 10195-01-000 (US)
 10195-02-000 (CAN)
 (1605)
 ELBOW 1-1/2" X 45° ELT
 10051-01-000

PIPE 1-1/2"
 10195-01-000 (US)
 10195-02-000 (CAN)
 (1535)
 PIPE 1-1/2"
 10195-01-000 (US)
 10195-02-000 (CAN)
 (155)

VENT-MECHANICAL
 79968-01-000

WASTE-CONT 1-1/4"
 11091-02-00 (US)
 11091-03-000 (CAN)
 P-TRAP 1-1/4"
 107538-01-000 (US)
 11071-01-000 (CAN)

PIPE 1-1/2"
 10195-01-000 (US)
 10195-02-000 (CAN)
 (315)

P-TRAP 1-1/4"
 107538-01-000 (US)
 11066-02-000 (CAN)
 TAIL PIECE
 11069-02-000

ELBOW 1-1/2" X 90° ELT
 10008-01-000
 ELBOW 1-1/2" X 90° ELT
 10008-01-000
 ELBOW 1-1/2" X 45° ELT
 10051-01-000
 ELBOW 1-1/2" X 90
 10008-01-000

PIPE 1-1/2"
 10195-01-000 (US)
 10195-02-000 (CAN)
 (155)

TOILET
 78477-02-CHT
 FLANGE 4" X 3"
 24676-01-000
 GROMMET
 61607-02-000

ELBOW 1-1/2" X 90° ELT
 10008-01-000
 ELBOW 1-1/2" X 90° ELT
 10008-01-000
 ELBOW 1-1/2" X 45° ELT
 10051-01-000
 ELBOW 1-1/2" X 90
 10008-01-000

PIPE 1-1/2"
 10195-01-000 (US)
 10195-02-000 (CAN)
 (155)
 TEE 1-1/2 X 1-1/2 X 1-1/4"
 10071-01-000

ELBOW 1-1/2" X 90° ELT
 10008-01-000
 ELBOW-ST-PLAS 3 X 90
 41956-01-000

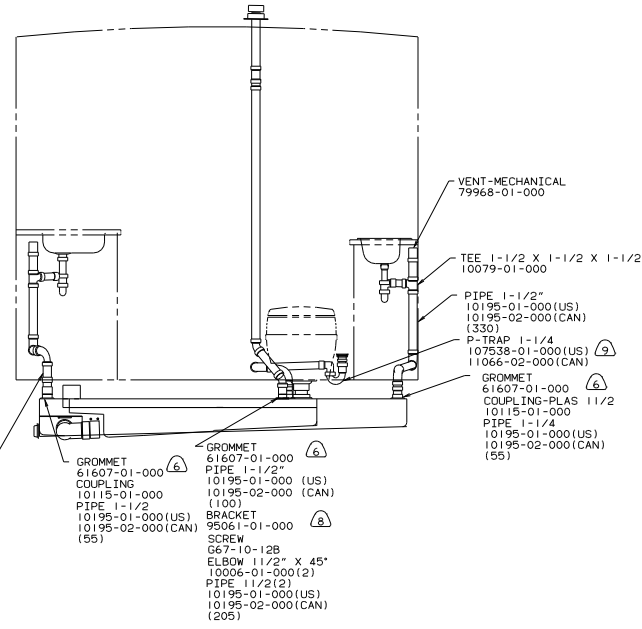
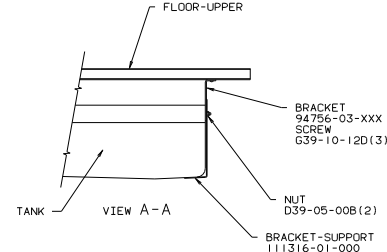
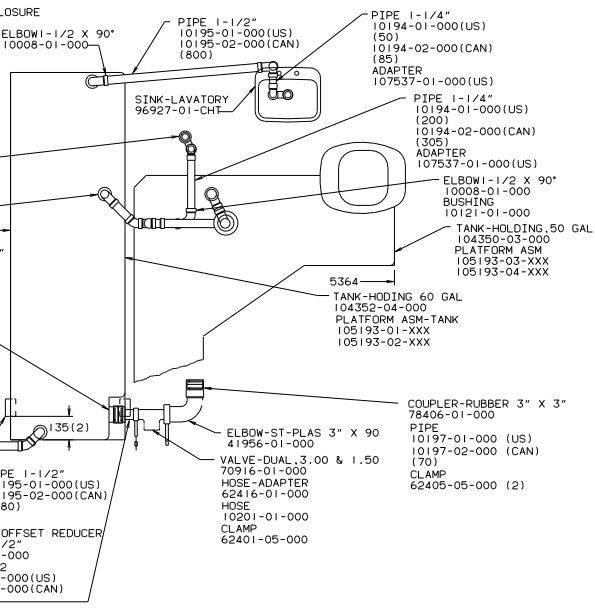
PIPE 1-1/2"
 10195-01-000 (US)
 10195-02-000 (CAN)
 (120)
 GROMMET
 61607-01-000 (6)
 COUPLING
 10195-01-000 (US)
 10195-02-000 (CAN)
 (115)
 PIPE 1-1/2"
 10195-01-000 (US)
 10195-02-000 (CAN)
 (205)

BRACKET
 10195-01-000 (US)
 10195-02-000 (CAN)
 (55)
 SCREW
 G67-10-12B
 ELBOW 1 1/2" X 45°
 10006-01-000(2)
 PIPE 1 1/2(2)
 10195-01-000 (US)
 10195-02-000 (CAN)
 (205)

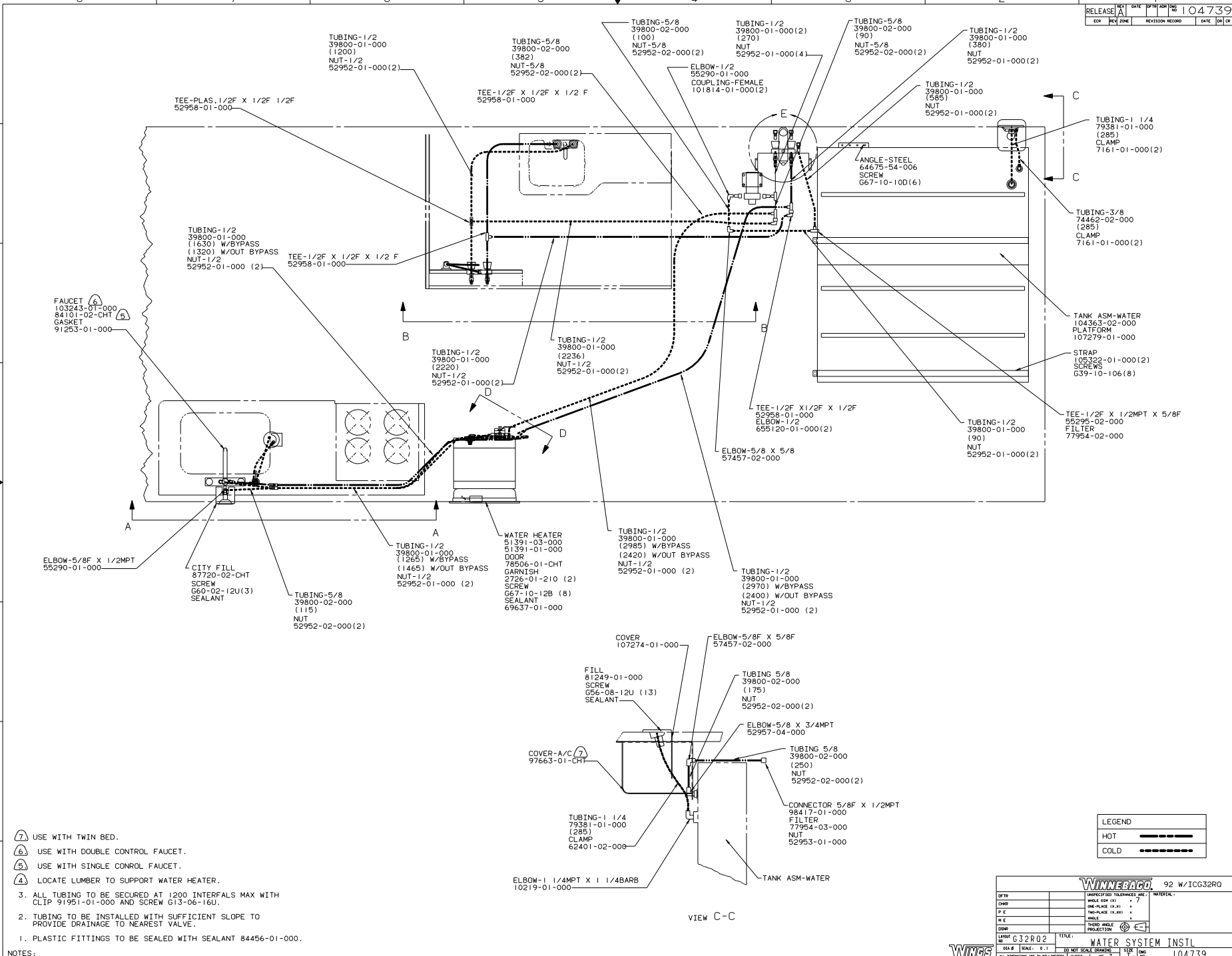
TRIM P-TRAP EXTENSION TO FIT.
 SECURE VENT TUBES TO FLOOR.
 VENT PIPE MUST BE PROJECTED 51 TO 64 MAXIMUM ABOVE ROOF FOR PROPER FIT AND FUNCTION.
 SEE DRAWING 61607-01-000 FOR INSTALLATION OF GROMMET.

- SEAL ALL AROUND SHOWER WITH SILICONE 78474-01-CHT.
- FOR CANADIAN UNITS EACH HOLDING TANK SHALL HAVE A CSA APPROVAL STAMPED NEAR IAPMO APPROVAL.
- ALL PIPE AND FITTINGS TO BE ASSEMBLED WITH SOLVENT 4020-01-000.
- SLOPE OF TRAP MUST BE 6 PER 300 MINIMUM.
- SLOPE OF HORIZONTAL PIPING TO BE 6 PER 300 MINIMUM.

NOTES:



WINNACRO		92 W/1CG32R0
DATE	UNSPECIFIED TOLERANCES ARE:	MATERIAL
DRW	FRAC	
BY	DEC-PLATE (1/32)	
CHK	DEC-PLATE (1/32)	
APP	ANGLE	
CON	THRU ANGLE	
PROJ	PROJECTION	
LANE	G32R02	TITLE: DRAINAGE SYSTEM INSTL
DATE	SCALE: NONE	DO NOT SCALE DRAWING
ALL DIMENSIONS ARE IN MILLIMETERS	SHEET 1 OF 1	104740



- ① USE WITH TWIN BED.
 ② USE WITH DOUBLE CONTROL FAUCET.
 ③ USE WITH SINGLE CONTROL FAUCET.
 ④ LOCATE LUMBER TO SUPPORT WATER HEATER.
3. ALL TUBING TO BE SECURED AT 1200 INTERFALS MAX WITH CLIP 91951-01-000 AND SCREW G13-06-16U.
2. TUBING TO BE INSTALLED WITH SUFFICIENT SLOPE TO PROVIDE DRAINAGE TO NEAREST VALVE.
1. PLASTIC FITTINGS TO BE SEALED WITH SEALANT 84456-01-000.

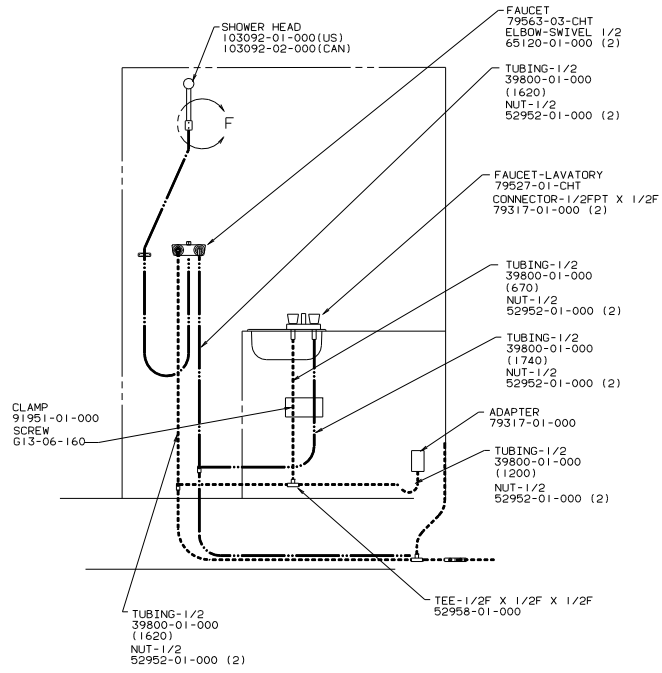
LEGEND

HOT	-----
COLD	-----

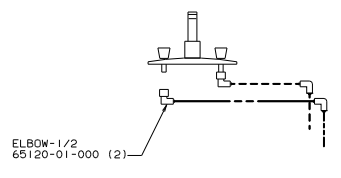
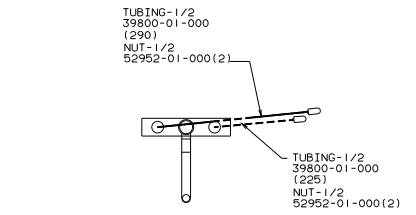
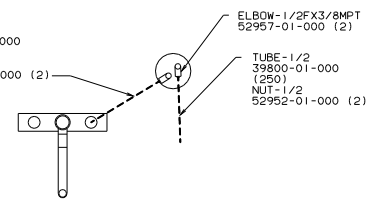
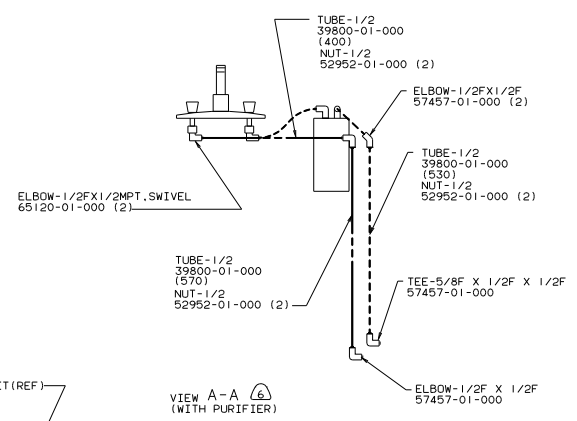
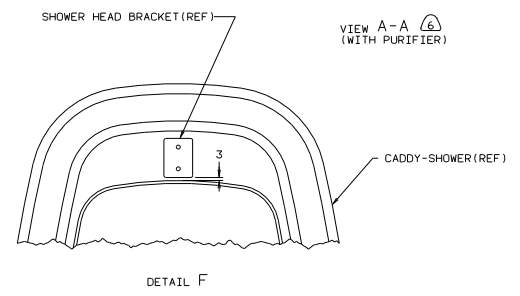
WINNENAGO 92 W1CG32R0

DATE	REV	DESCRIPTION	DATE

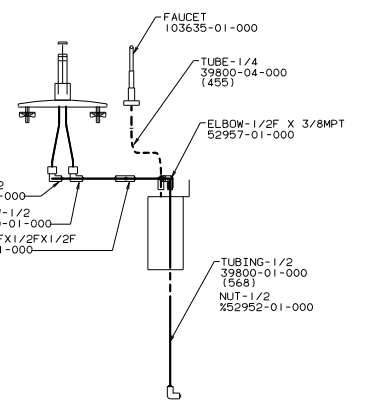
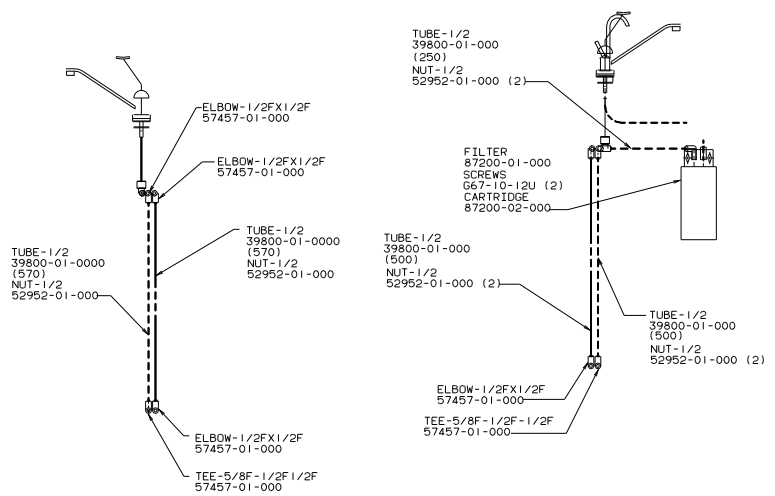
LANE # G32R02 TITLE WATER SYSTEM INSTL
 DIA # SCALE: 0.1 30 NET SCALE DRAWING SIZE 100
 ALL DIMENSIONS ARE IN MILLIMETERS SHEET 1 OF 3 104739

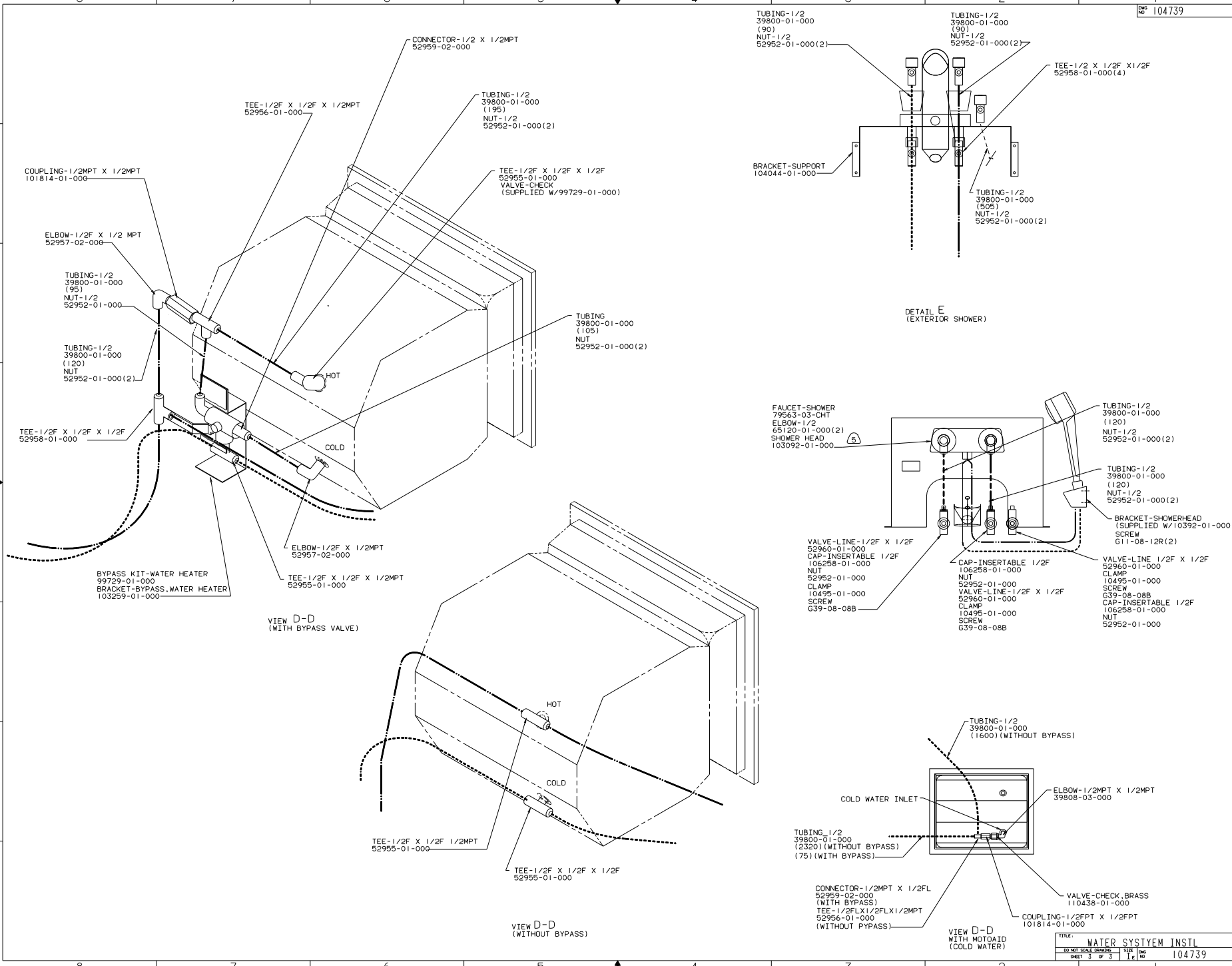


VIEW B-B



VIEW A-A (W/OUT PURIFIER)





COUPLING-1/2MPT X 1/2MPT
101814-01-000

ELBOW-1/2F X 1/2 MPT
52957-02-000

TUBING-1/2
39800-01-000
(95)
NUT-1/2
52952-01-000

TUBING-1/2
39800-01-000
(120)
NUT
52952-01-000(2)

TEE-1/2F X 1/2F X 1/2F
52958-01-000

BYPASS KIT-WATER HEATER
99729-01-000
BRACKET-BYPASS, WATER HEATER
103259-01-000

ELBOW-1/2F X 1/2MPT
52957-02-000

VIEW D-D
(WITH BYPASS VALVE)

TEE-1/2F X 1/2F X 1/2MPT
52956-01-000

TUBING-1/2
39800-01-000
(195)
NUT-1/2
52952-01-000(2)

TEE-1/2F X 1/2F X 1/2F
VALVE-CHECK
(SUPPLIED W/99729-01-000)

TUBING
39800-01-000
(105)
NUT
52952-01-000(2)

TEE-1/2F X 1/2F 1/2MPT
52955-01-000

TEE-1/2F X 1/2F X 1/2F
52955-01-000

VIEW D-D
(WITHOUT BYPASS)

TUBING-1/2
39800-01-000
(90)
NUT-1/2
52952-01-000(2)

TUBING-1/2
39800-01-000
(90)
NUT-1/2
52952-01-000(2)

TEE-1/2 X 1/2F X 1/2F
52958-01-000(4)

BRACKET-SUPPORT
104044-01-000

TUBING-1/2
39800-01-000
(505)
NUT-1/2
52952-01-000(2)

DETAIL E
(EXTERIOR SHOWER)

FAUCET-SHOWER
79563-03-CHT
ELBOW-1/2
65120-01-000(2)
SHOWER HEAD
103092-01-000

TUBING-1/2
39800-01-000
(120)
NUT-1/2
52952-01-000(2)

TUBING-1/2
39800-01-000
(120)
NUT-1/2
52952-01-000(2)

BRACKET-SHOWERHEAD
(SUPPLIED W/10392-01-000)
SCREW
G11-08-12R(2)

VALVE-LINE-1/2F X 1/2F
52960-01-000
CAP-INSERTABLE 1/2F
106258-01-000
NUT
52952-01-000
CLAMP
10495-01-000
SCREW
G39-08-08B

CAP-INSERTABLE 1/2F
106258-01-000
NUT
52952-01-000
VALVE-LINE-1/2F X 1/2F
52960-01-000
CLAMP
10495-01-000
SCREW
G39-08-08B

VALVE-LINE 1/2F X 1/2F
52960-01-000
CLAMP
10495-01-000
CAP-INSERTABLE 1/2F
106258-01-000
NUT
52952-01-000

TUBING-1/2
39800-01-000
(1600)(WITHOUT BYPASS)

COLD WATER INLET

ELBOW-1/2MPT X 1/2MPT
39808-03-000

TUBING 1/2
39800-01-000
(2320)(WITHOUT BYPASS)
(75)(WITH BYPASS)

CONNECTOR-1/2MPT X 1/2FL
52959-02-000
(WITH BYPASS)
TEE-1/2FLX1/2FLX1/2MPT
52956-01-000
(WITHOUT BYPASS)

VALVE-CHECK, BRASS
110438-01-000
COUPLING-1/2FPT X 1/2FPT
101814-01-000

VIEW D-D
WITH MOTOAID
(COLD WATER)

TITLE:		WATER SYSIEM INSTL	
30	NO. SHEET	3	OF 3
1	REV	1	OF 1
		104739	