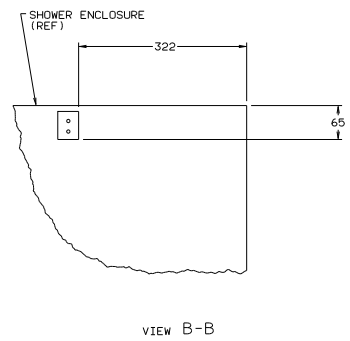
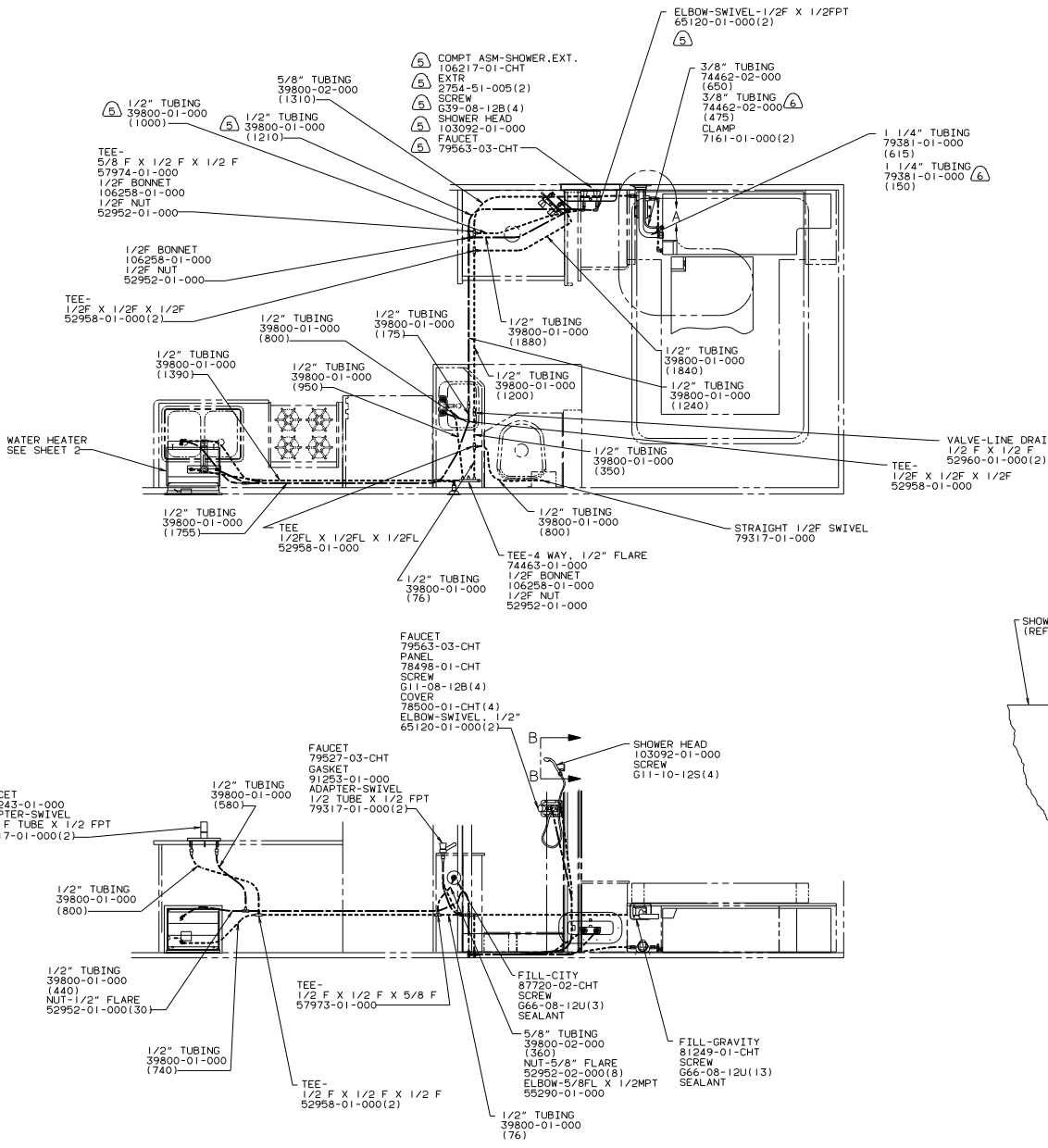


- Ⓐ VENT PIPE MUST PROJECT 51 MM MIN TO 64 MM MAX ABOVE ROOF FOR PROPER FIT AND FUNCTION.
 - Ⓩ SEE DWG 61607-01-000 FOR INSTL OF GROMMET.
 - ⓓ SEAL ALL AROUND SHOWER PAN WITH SILICONE 78474-01-CHT.
5. FOR CANADIAN UNITS EACH HOLDING TANK SHALL HAVE A CSA APPROVAL STAMPED NEAR THE IAPMO APPROVAL.
 4. ALL EXTERIOR OPENINGS AROUND PIPE TO BE SEALED WITH 69637-01-000.
 3. ALL PIPE AND FITTINGS TO BE ASSEMBLED WITH SOLVENT 4020-01-000.
 2. SLOPE OF TRAP MUST BE 6 PER 300 MINIMUM.
 1. SLOPE OF HORIZONTAL PIPING TO BE 6 PER 300 MINIMUM.

SECTION A-A

WINNAPCO		92 W/1F30EU
DATE	UNSPECIFIED TOLERANCES ARE:	MATERIAL
DRW	FRAMES 1/8"	
PIPE	ONE-PIECE 1/8"	
FL	TWO-PIECE 1/8"	
W/	W/	
CDR	THRU-HOLE PROJECTION	
LANE# F30EU2	TITLE: DRAINAGE SYSTEM INSTL	103297
DIA #	SCALE: NONE	DO NOT SCALE DRAWING
ALL DIMENSIONS ARE IN MILLIMETERS	SHEET 1 OF 1	DRG NO 103297



- ⑥ TWIN BED OPTION.
 - ⑤ REQUIRED WITH EXTERIOR SHOWER.
 - ④ NOT REQUIRED WITH EXTERIOR SHOWER.
3. ALL TUBING TO BE SECURED AT 1219 MAXIMUM SPACING WITH CLAMP 10495-01-000 AND SCREW G67-10-12B.
 2. PLASTIC FITTINGS TO BE SEALED WITH SEALANT 84456-01-000.
 1. TUBING TO BE INSTALLED WITH SUFFICIENT SLOPE TO PROVIDE DRAINAGE TO NEAREST VALVE.

LEGEND

HOT LINE	-----
COLD LINE	-----

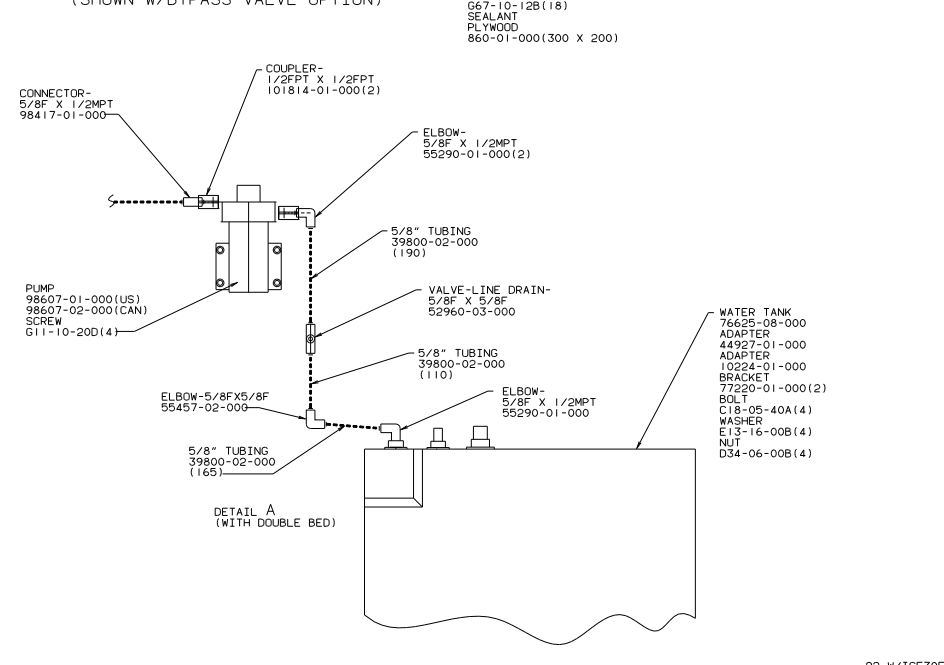
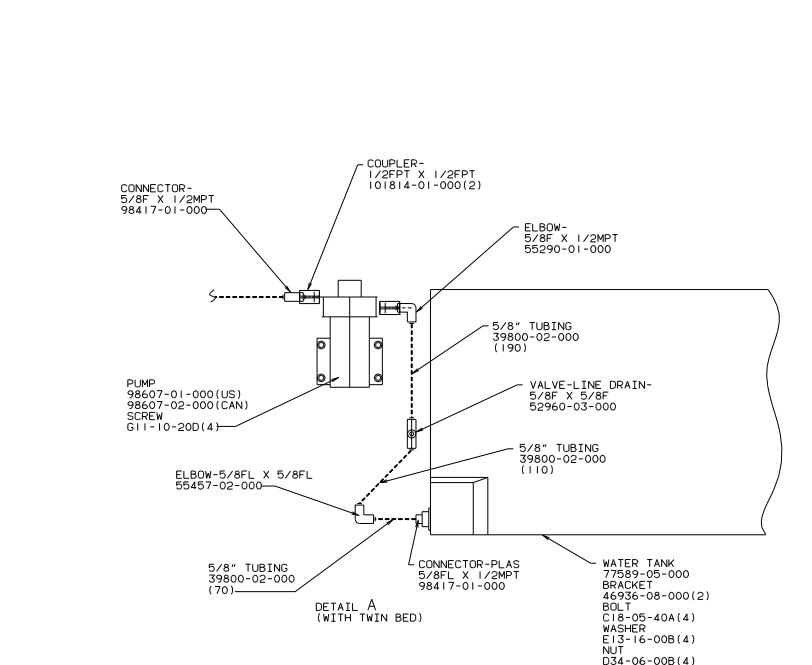
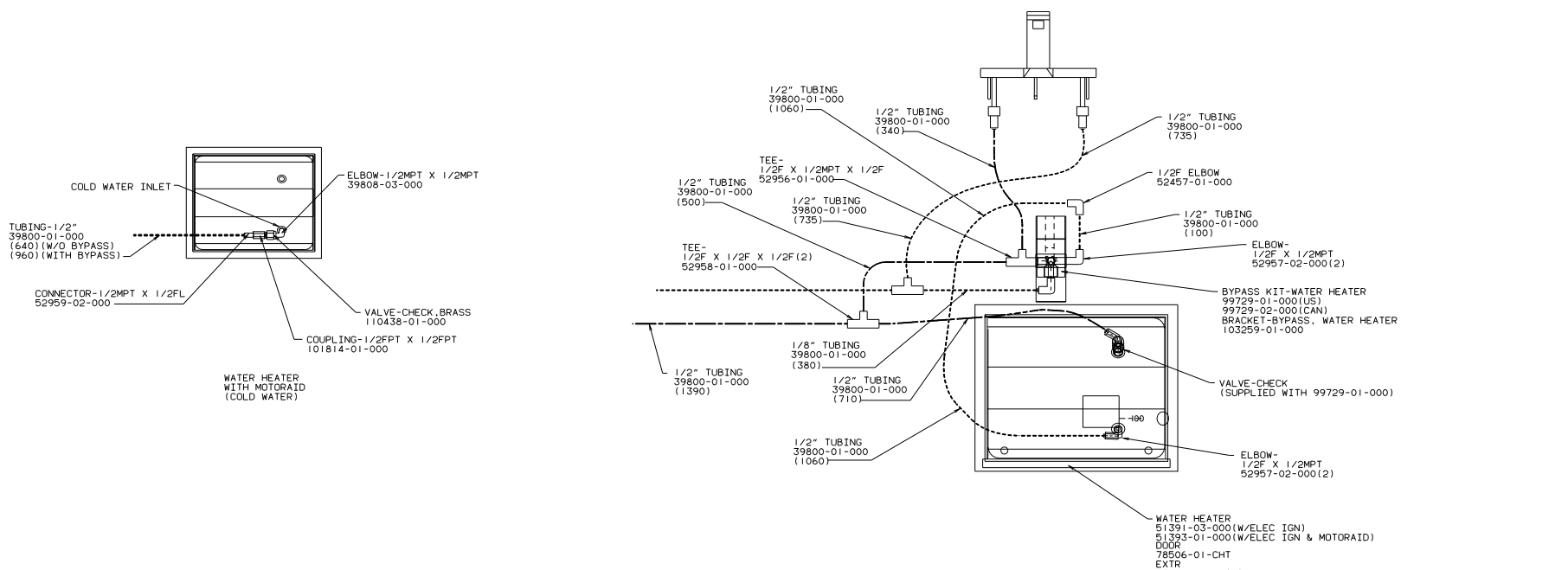
WINNAGO 92 W1CF30EU

DATE	REV	BY	CHK	DESIGNED BY	103905
DATE	REV	BY	CHK	DATE	OF

UNSPECIFIED TOLERANCES ARE: MATERIAL:
 HOLE DIM (IN) ± .015
 HOLE-PLATE (IN) ± .01
 HOLE-PLATE (IN) ± .005
 ANGLE ± .5°
 THRU HOLE PROJECTION ± .015

LAND F30EU2 TITLE: WATER SYSTEM INSTL
 REF: 100613 103905

WINNAGO



TITLE: WATER SYSTEM INSTL	
30 MIL SCALE DRAWING	REV 1.0
SHEET 2 OF 2	DWG NO 103905