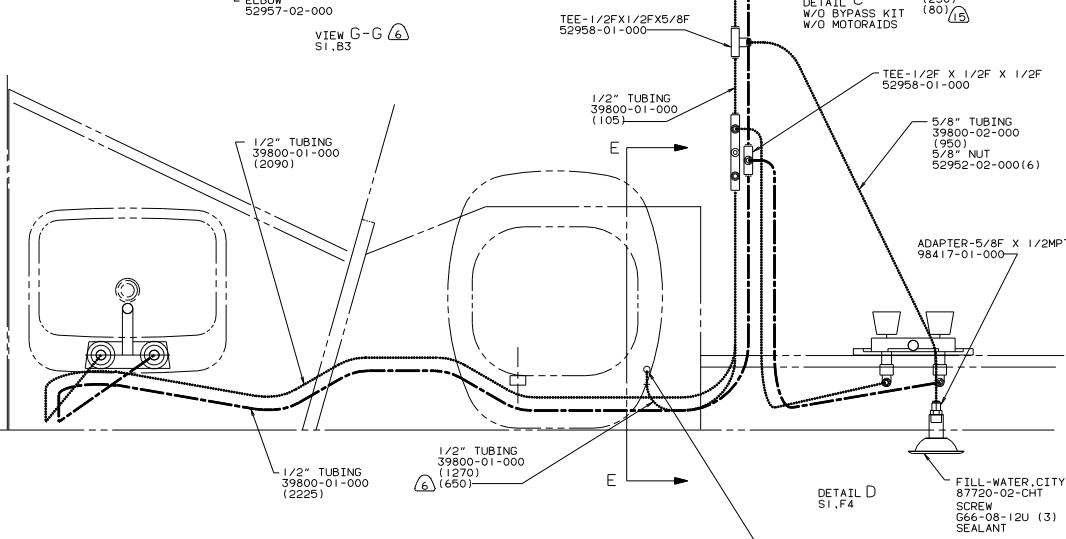
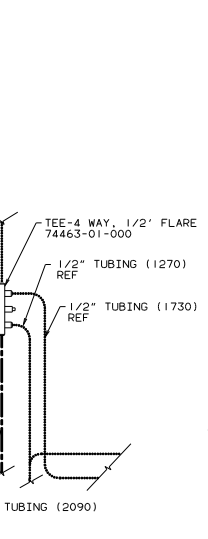
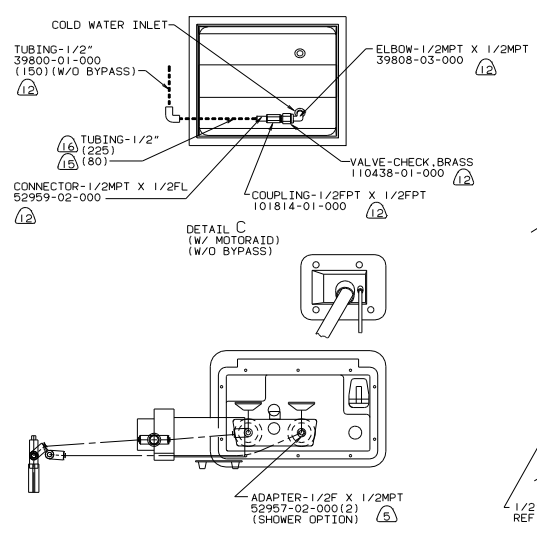
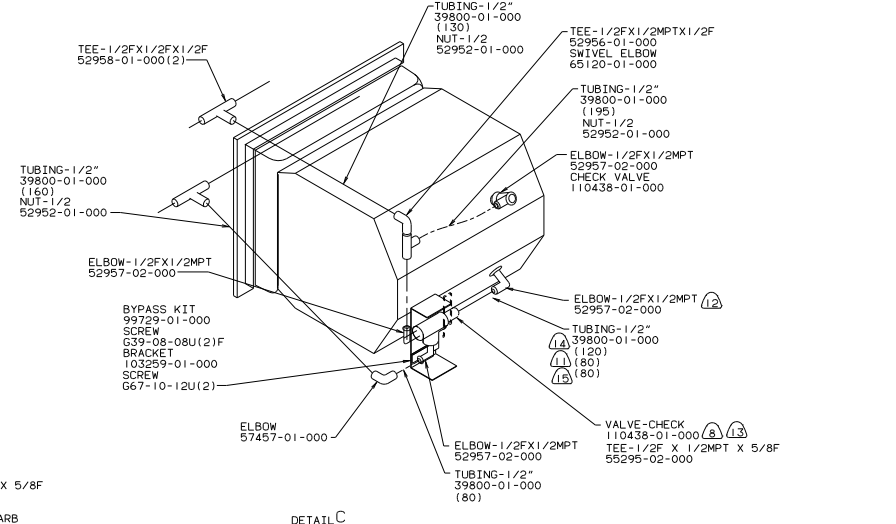
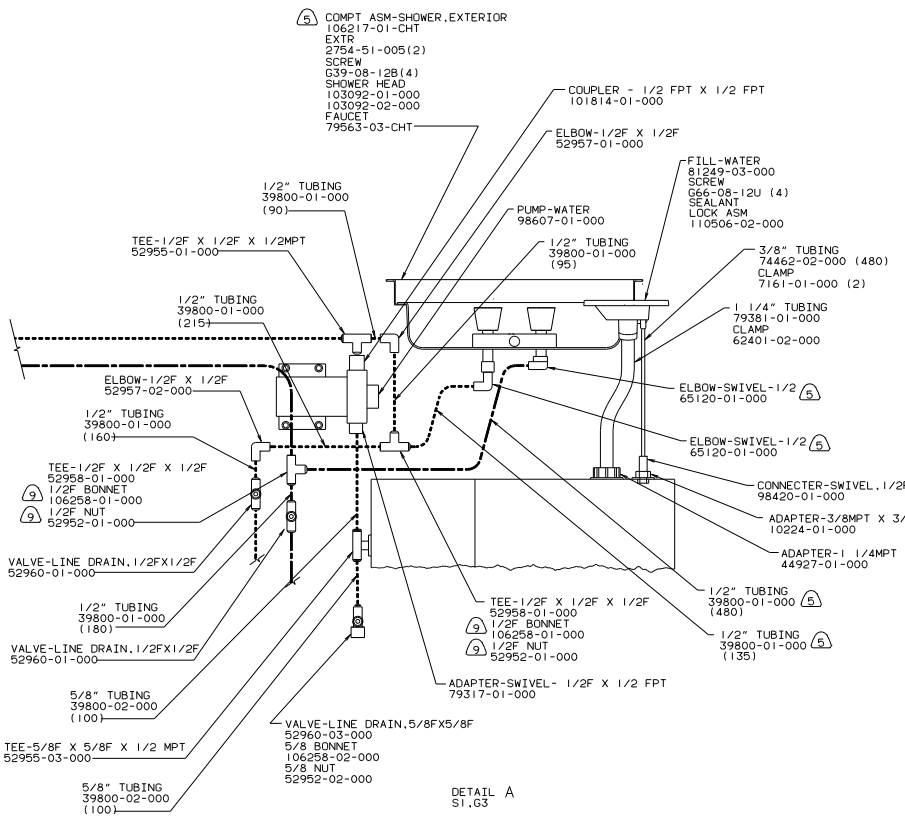


- ⑩ USE ON JCF23EC ONLY.
- ⑨ VENT PIPE MUST PROJECT 51 MM MIN AND 63.5 MM MAX ABOVE ROOF FOR PROPER FIT AND FUNCTION.
- ⑧ SEE DWG 61607-01-000 FOR INSTL OF GROMMET.
- ⑦ SEAL ALL AROUND SHOWER WITH SILICONE 78474-01-CHT.
- 6. FOR CAN UNITS EACH HOLDING TANK SHALL HAVE A CSA APPROVAL STAMPED NEAR THE TAPMO APPROVAL.
- 5. EXPOSED PIPE ABOVE ROOF TO BE PAINTED 37163-01-000.
- 4. ALL EXTERIOR OPENINGS AROUND PIPE TO BE SEALED WITH 69637-01-000.
- 3. ALL PIPE AND FITTINGS TO BE ASSEMBLED WITH SOLVENT 4020-01-000.
- 2. SLOPE OF TRAP ARM MUST BE 6 PER 300.
- 1. SLOPE OF HORIZONTAL PIPING TO BE 6 PER 305 MIN.

NOTES:

WINNAPAC 92 W/ICF23EC	
DATE	UNSPECIFIED TOLERANCES ARE MATERIAL
CHNG	UNLESS OTHERWISE SPECIFIED
SIZE	ONE PLACE (IN 31)
IN	TWO PLACE (IN 33)
MM	ONE PLACE (IN 33)
MM	TWO PLACE (IN 33)
CONTR	TRIPLE UNLESS INDICATED
LAINT F23EC2	TITLE: DRAINAGE SYSTEM INSTL
REV # SCALE 0 1	DO NOT SCALE DRAWING
SHEET 1 OF 1	DATE 11/11/07
ALL DIMENSIONS ARE IN MILLIMETERS	104223



SECTION B-B S1.G3

SECTION E-E