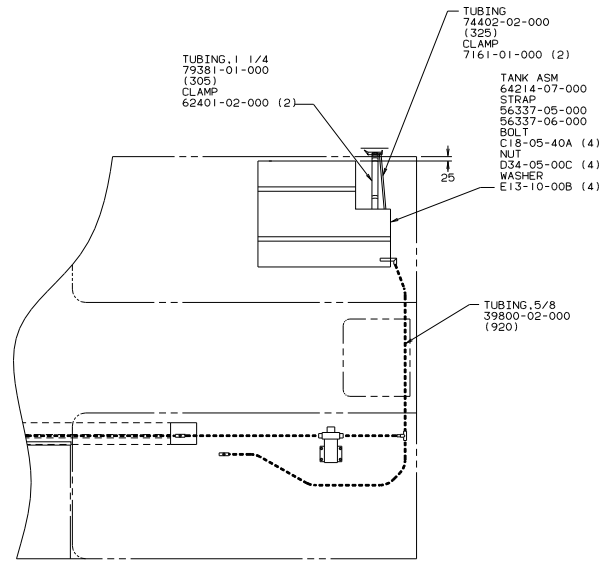
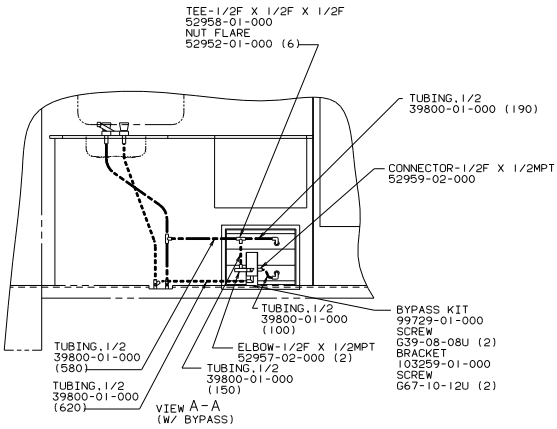


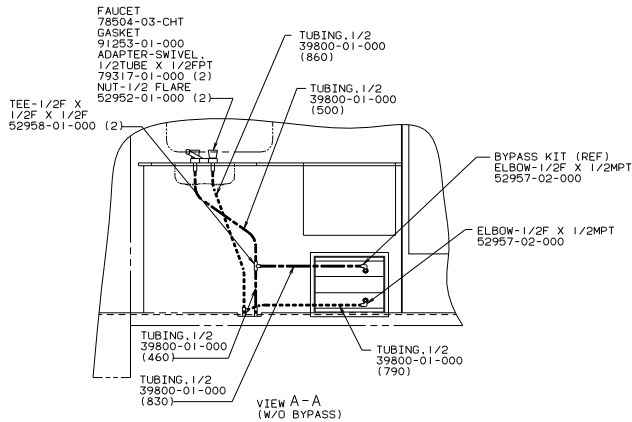
3. ALL TUBING TO BE SECURED AT 1200 INTERVALS MAX. WITH CLAMP 10495-01-000 AND SCREW G67-10-12B.
2. TUBING TO BE INSTALLED WITH SUFFICIENT SLOPE TO PROVIDE DRAINAGE TO NEAREST VALVE.
1. PLASTIC FITTINGS TO BE SEALED WITH SEALANT 84456-01-000.

LEGEND
 HOT LINES - - - - -
 COLD LINES - - - - -

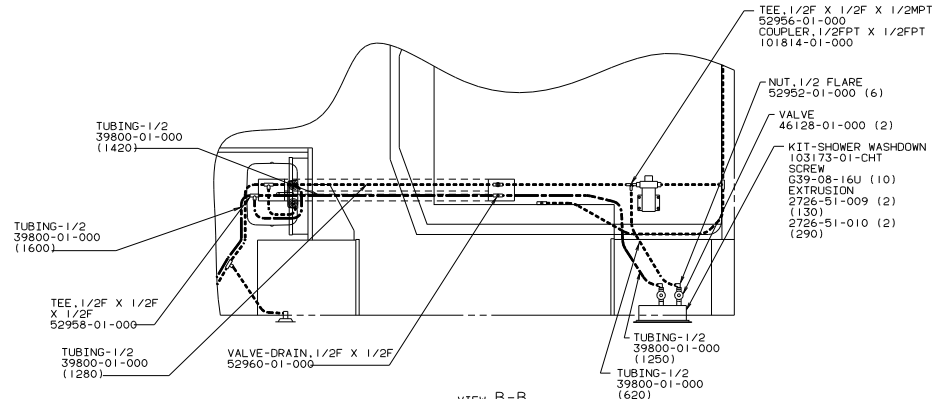
WINNEBAGO		91 W/IF327RO
DFTY	PROPOSED TOLERANCES ARE:	MATERIAL:
CHD	WHOLE DIM (X1) ± 0.5	UNFINISHED (X1.01) ± 0.8
P.F	TWO-PLACE (X1.001)	THREE-PLACE (X1.0001)
P.L	THIRD ANGLE PROJECTION	
FORM		
LARGE	LATT	TITLE:
NO	27781	WATER SYSTEM INSTL
DSN #	SCALE: 1:8	DO NOT SCALE DIMENSIONS
ALL DIMENSIONS ARE IN MILLIMETERS	SHEET 1 OF 2	103266



VIEW B-B
(TWIN BED OPTION
W/O REAR SHOWER)



VIEW A-A
(W/O BYPASS)



VIEW B-B
(REAR SHOWER
OPTION)

91 W/IF327RQ

TITLE:		WATER SYSTEM INSTL	
30 NET SCALE DRAWING	SIZE	DATE	103266
SHEET 2 OF 2	1 E		