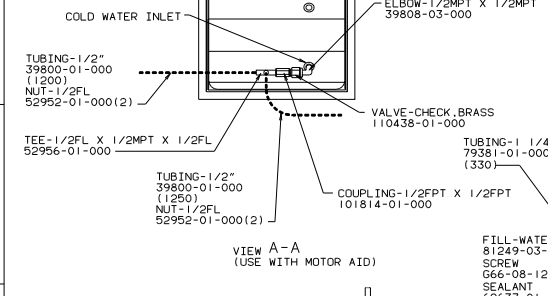
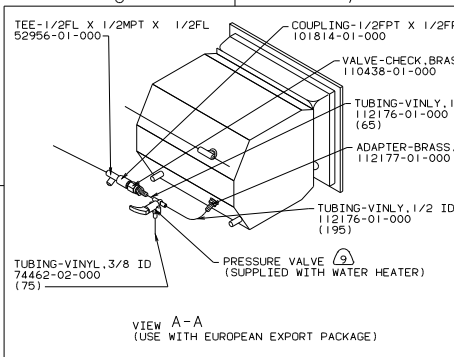
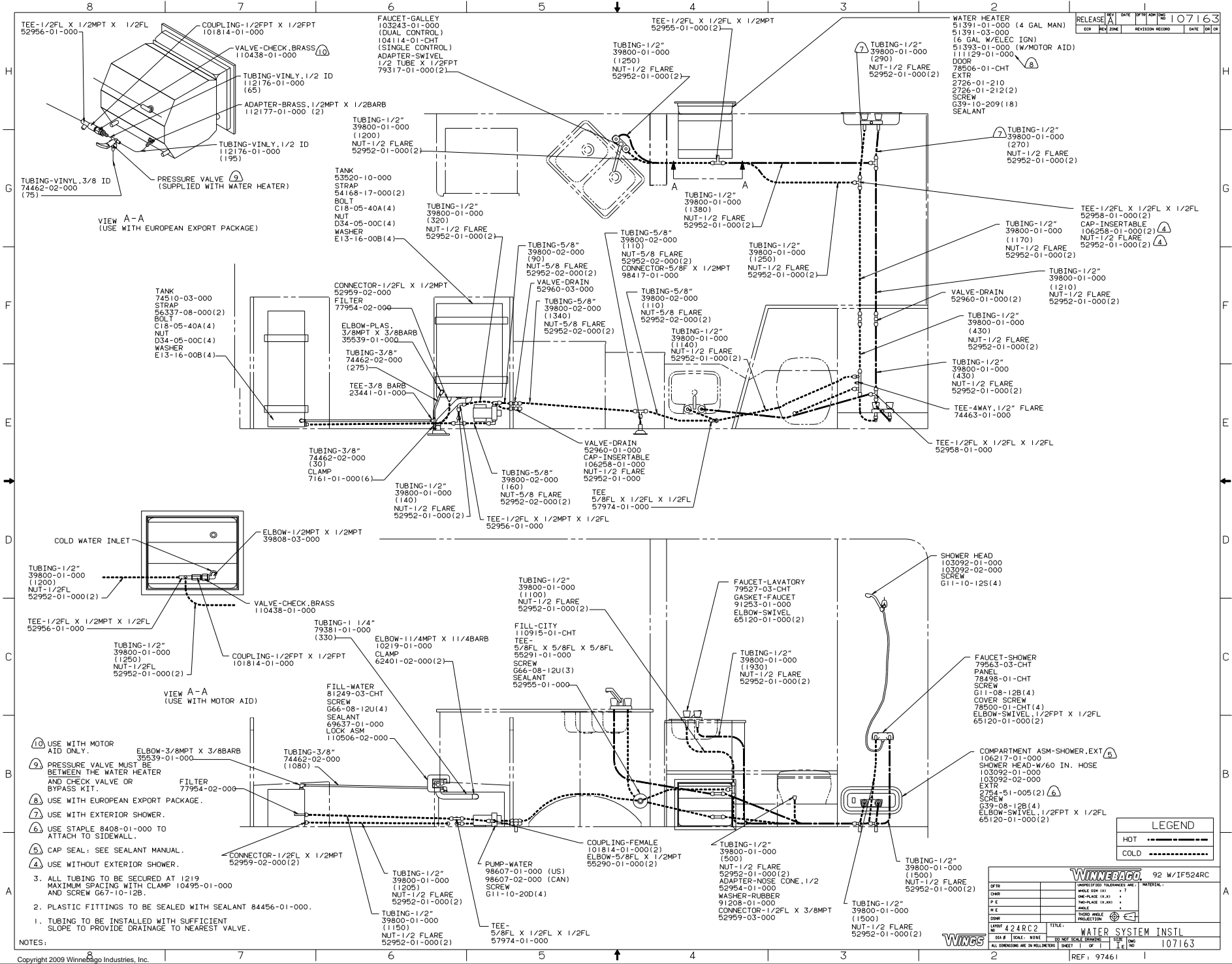


- ② USE WITHOUT SURROUND.
 - ③ USE WITH SURROUND.
 - ⑦ SECURE VENT TUBES TO FLOOR.
 - ⑥ VENT PIPE MUST PROJECT 51 MINIMUM TO 64 ABOVE ROOF FOR PROPER FIT AND FUNCTION.
 - ⑤ SEE DRAWING 61607-01-000 FOR INSTALLATION OF GROMMET.
4. ALL EXTERIOR OPENINGS AROUND PIPE TO BE SEALED.
 3. ALL PIPE AND FITTINGS TO BE ASSEMBLED WITH SOLVENT 4020-01-000.
 2. SLOPE OF TRAP ARM MUST BE 6 PER 305.
 1. SLOPE OF HORIZONTAL PIPING TO BE 6 PER 305.

WINNERS 92 W/F424RC

DATE	UNSPECIFIED TOLERANCES ARE:	MATERIAL
DRW	WHOLE DIM (IN)	F
REV	ONE-PLACE (IN.XX)	F
DATE	TWO-PLACE (IN.XX)	F
REV	THREE-PLACE (IN.XXX)	F
DATE	FOUR-PLACE (IN.XXXX)	F
REV	ALL DIMENSIONS ARE IN MILLIMETERS	F

LANO# 424RC2 TITLE: DRAINAGE SYSTEM INSTL
 DIA # SCALE: NONE DO NOT SCALE DRAWING
 ALL DIMENSIONS ARE IN MILLIMETERS SHEET 1 OF 1 106942



- ① USE WITH MOTOR AID ONLY.
- ② PRESSURE VALVE MUST BE BETWEEN THE WATER HEATER AND CHECK VALVE OR BYPASS KIT.
- ③ USE WITH EUROPEAN EXPORT PACKAGE.
- ④ USE WITH EXTERIOR SHOWER.
- ⑤ USE STAPLE 8408-01-000 TO ATTACH TO SIDEWALL.
- ⑥ CAP SEAL: SEE SEALANT MANUAL.
- ⑦ USE WITHOUT EXTERIOR SHOWER.
3. ALL TUBING TO BE SECURED AT 1219 MAXIMUM SPACING WITH CLAMP 10495-01-000 AND SCREW 667-10-12B.
2. PLASTIC FITTINGS TO BE SEALED WITH SEALANT 84456-01-000.
1. TUBING TO BE INSTALLED WITH SUFFICIENT SLOPE TO PROVIDE DRAINAGE TO NEAREST VALVE.