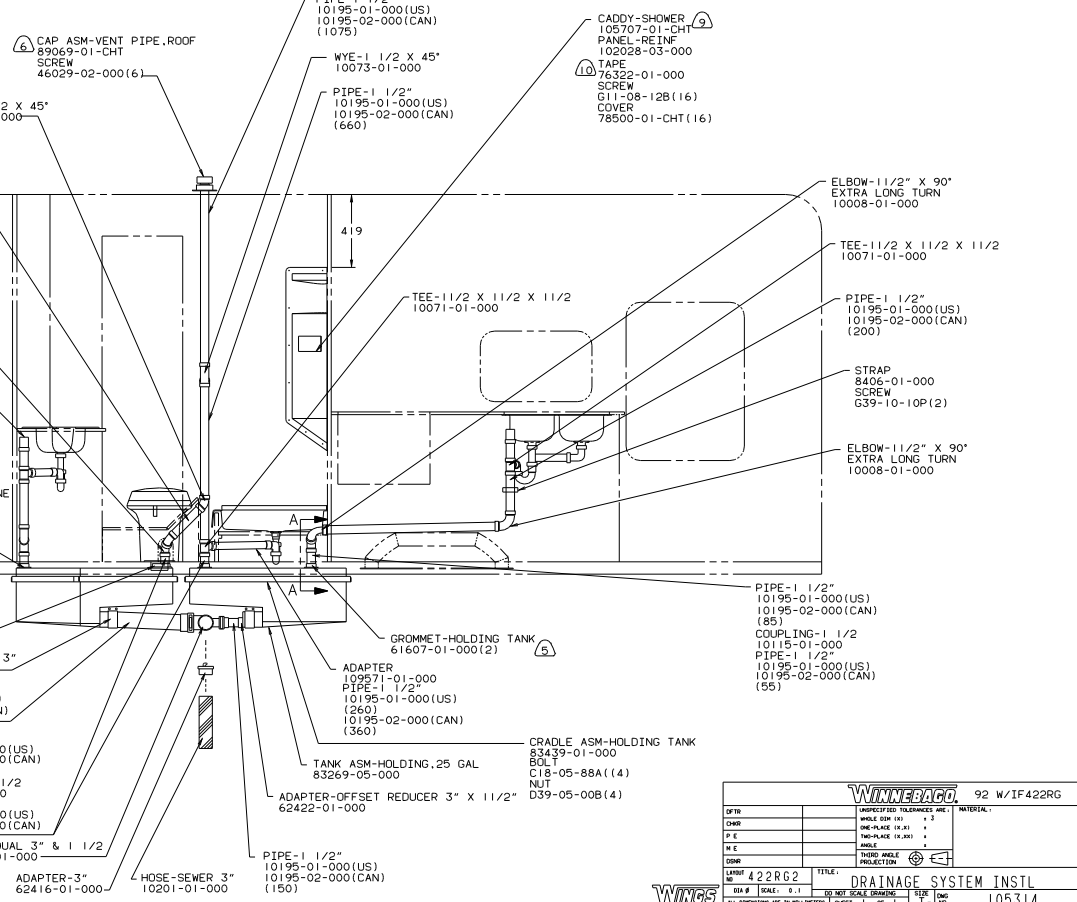
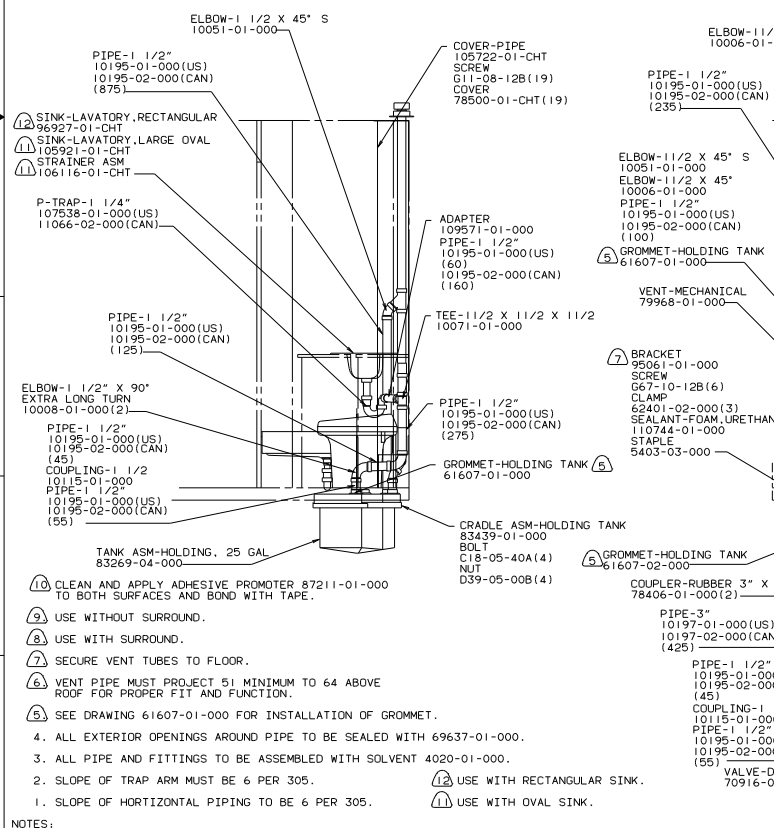
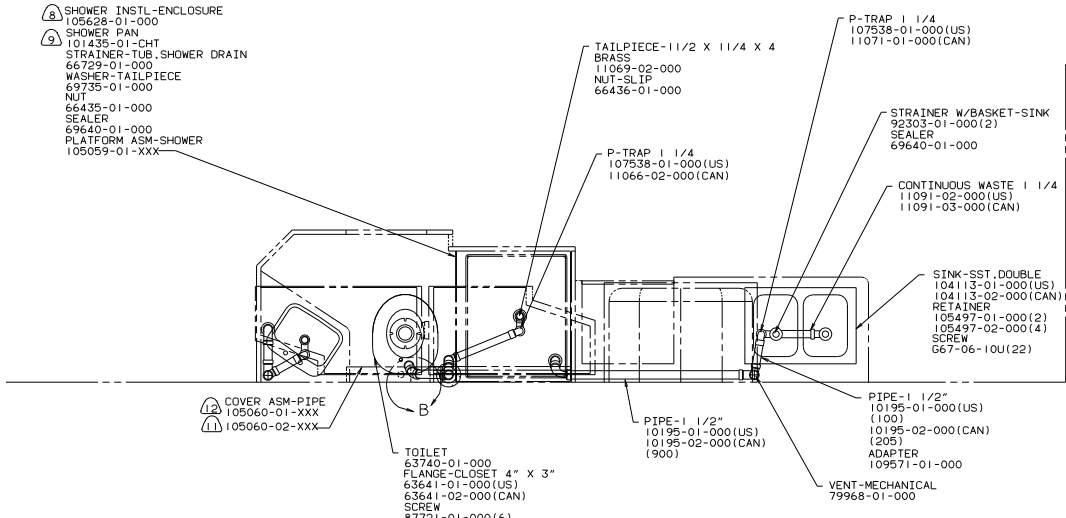


- 8 SHOWER INSL-ENCLOSURE  
105628-01-000
- 9 SHOWER PAN  
101435-01-CHT  
STRAINER-TUB, SHOWER DRAIN  
66729-01-000  
WASHER-TAILPIECE  
69735-01-000  
NUT  
66435-01-000  
SEALER  
69640-01-000  
PLATFORM ASM-SHOWER  
105059-01-XXX



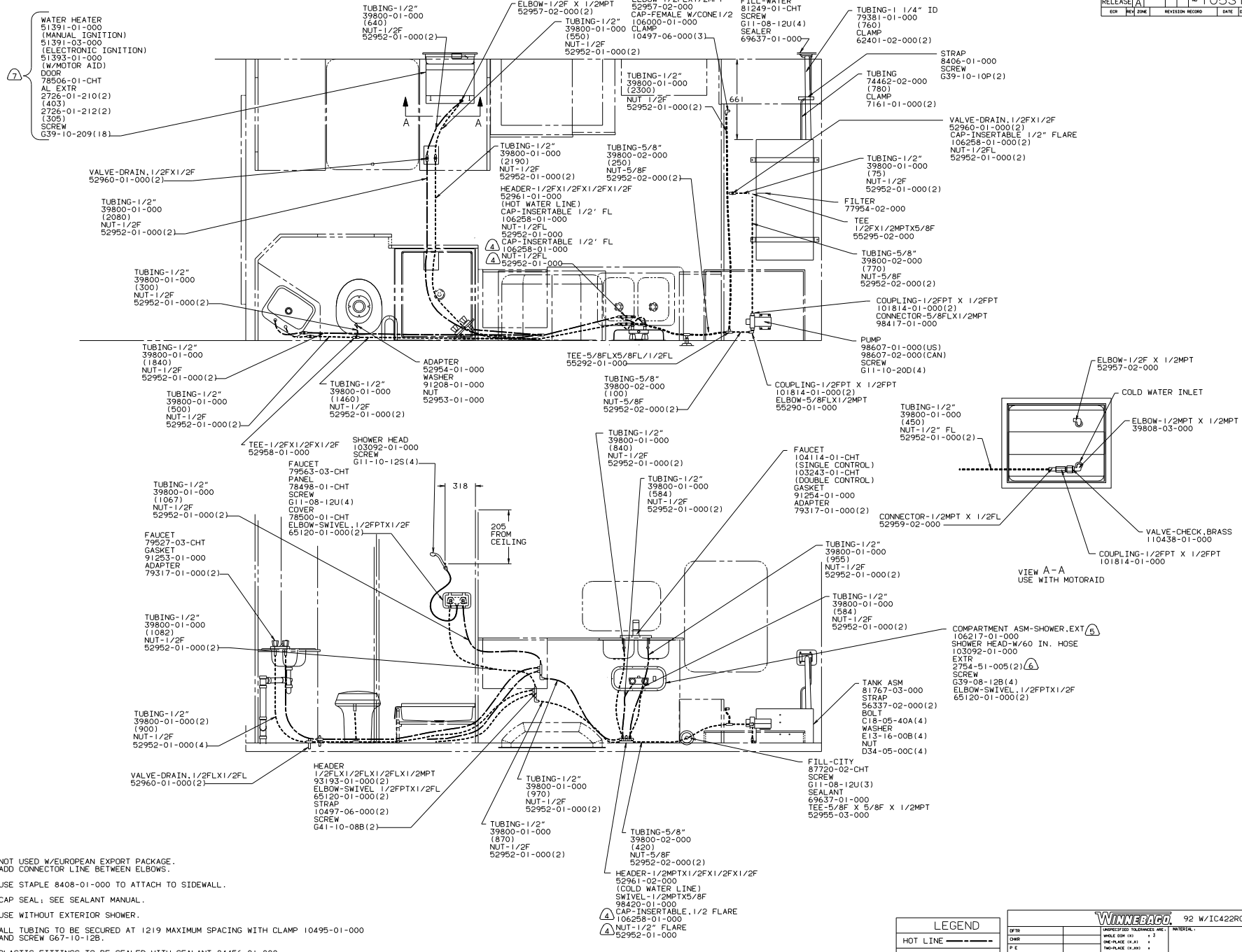
- 12 SINK-LAVATORY, RECTANGULAR  
96927-01-CHT
- 11 SINK-LAVATORY, LARGE OVAL  
105921-01-CHT
- 10 STRAINER ASM  
106116-01-CHT
- P-TRAP-1 1/4"  
107538-01-000(US)  
11066-02-000(CAN)
- PIPE-1 1/2"  
10195-01-000(US)  
10195-02-000(CAN)  
(875)
- COVER-PIPE  
105722-01-CHT  
SCREW  
G11-08-12B(19)  
COVER  
78500-01-CHT(19)
- ELBOW-1 1/2 X 45° S  
10051-01-000
- ADAPTER  
109571-01-000  
PIPE-1 1/2"  
10195-01-000(US)  
10195-02-000(CAN)  
(160)
- TEE-1 1/2 X 1 1/2 X 1 1/2  
10071-01-000
- PIPE-1 1/2"  
10195-01-000(US)  
10195-02-000(CAN)  
(275)
- GROGNET-HOLDING TANK  
61607-01-000
- CRADLE ASM-HOLDING TANK  
83439-01-000  
BOLT  
C18-05-40A(4)  
NUT  
D39-05-00B(4)
- 10 CLEAN AND APPLY ADHESIVE PROMOTER 87211-01-000 TO BOTH SURFACES AND BOND WITH TAPE.
- 9 USE WITHOUT SURROUND.
- 8 USE WITH SURROUND.
- 7 SECURE VENT TUBES TO FLOOR.
- 6 VENT PIPE MUST PROJECT 51 MINIMUM TO 64 ABOVE ROOF FOR PROPER FIT AND FUNCTION.
- 5 SEE DRAWING 61607-01-000 FOR INSTALLATION OF GROGNET.
- 4. ALL EXTERIOR OPENINGS AROUND PIPE TO BE SEALED WITH 69637-01-000.
- 3. ALL PIPE AND FITTINGS TO BE ASSEMBLED WITH SOLVENT 4020-01-000.
- 2. SLOPE OF TRAP ARM MUST BE 6 PER 305.
- 1. SLOPE OF HORIZONTAL PIPING TO BE 6 PER 305.
- 12 USE WITH RECTANGULAR SINK.
- 11 USE WITH OVAL SINK.

**WINNAPCO** 92 W/1F422RG2

DATE	UNSPECIFIED TOLERANCES ARE:	MATERIAL:
DRW	FRAC (1/16)	FRAC (1/16)
FIN	DEC (0.001)	DEC (0.001)
ANG	ANG (0.001)	ANG (0.001)
CON	THRU HOLE PROJECTION	

LANO: 422RG2 TITLE: DRAINAGE SYSTEM INSTL  
 DIA: 0 SCALE: 0.1 30 MET SCALE DRAWING  
 ALL DIMENSIONS ARE IN MILLIMETERS SHEET 1 OF 1

WINNAPCO REF: 103238 105314



- ⑦ NOT USED W/EUROPEAN EXPORT PACKAGE. ADD CONNECTOR LINE BETWEEN ELBOWS.
  - ⑥ USE STAPLE 8408-01-000 TO ATTACH TO SIDEWALL.
  - ⑤ CAP SEAL; SEE SEALANT MANUAL.
  - ④ USE WITHOUT EXTERIOR SHOWER.
3. ALL TUBING TO BE SECURED AT 1219 MAXIMUM SPACING WITH CLAMP 10495-01-000 AND SCREW G67-10-12B.
2. PLASTIC FITTINGS TO BE SEALED WITH SEALANT 84456-01-000.
1. TUBING TO BE INSTALLED WITH SUFFICIENT SLOPE TO PROVIDE DRAINAGE TO NEAREST VALVE.

LEGEND	
HOT LINE	-----
COLD LINE	-----

DATE	10/5/13
BY	
CHECKED	
REVISION RECORD	
DATE	
BY	

UNSPECIFIED TOLERANCES ARE: MATERIAL: [ ]  
 HOLE DIA (IN) [ ] ± [ ]  
 ONE-PLATE (IN.XI) [ ] ± [ ]  
 TWO-PLATE (IN.XI) [ ] ± [ ]  
 ANGLE [ ] ± [ ]  
 THRU: ANGLE PROJECTION [ ]

WINNACOR 92 W/1C422RG2

422RG2 TITLE: WATER SYSTEM INSTL

SCALE: 0:1 DO NOT SCALE DRAWING SIZE: 11x17

ALL DIMENSIONS ARE IN MILLIMETERS SHEET 1 OF 1

REF: 96804 105313