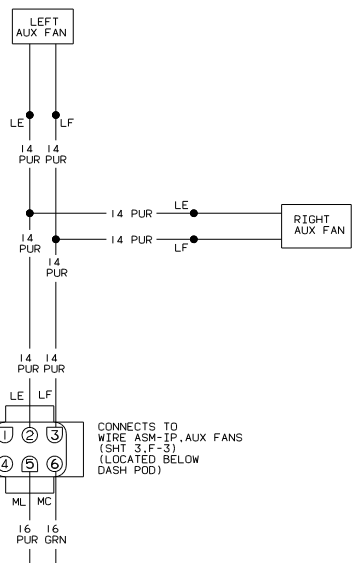
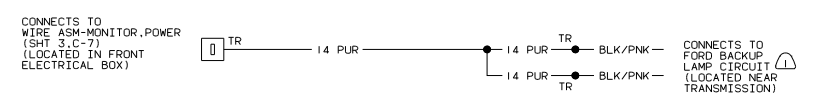


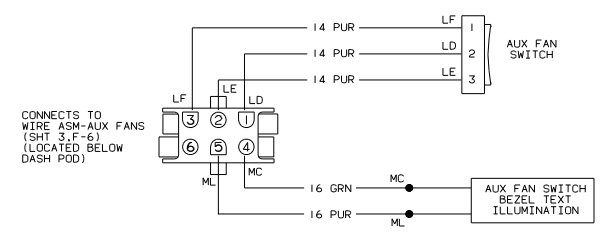
NOTES: SEE WIRING DIAGRAM-AUTO LAMPS FOR ADDITIONAL INFORMATION.



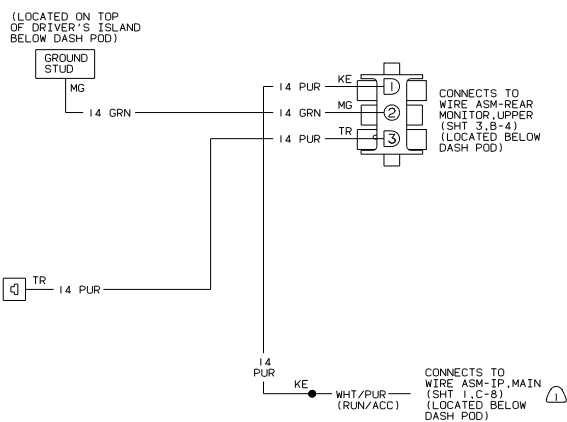
WIRING DIAGRAM-AUX FANS
(WITH AUX FANS)
(WIRE ASM 104015)



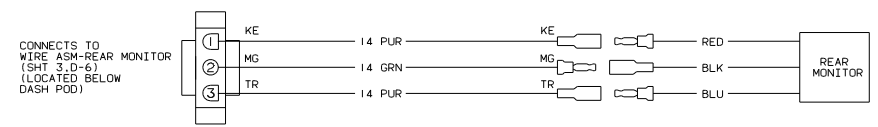
WIRING DIAGRAM-BACKUP LAMP
(WITH REAR MONITOR)
(WIRE ASM 96720)



WIRING DIAGRAM-IP, AUX FANS
(WITH AUX FANS)
(WIRE ASM 104015)



WIRING DIAGRAM-MONITOR, POWER
(WITH REAR MONITOR)
(WIRE ASM 98865-02)



WIRING DIAGRAM-REAR MONITOR, UPPER
(WITH REAR MONITOR)
(WIRE ASM 105304)

CONNECTS TO WIRE ASM-IP, MAIN (SHT 1,H-8) (LOCATED BELOW DASH POD)

CONNECTS TO WIRE ASM-IP, AUX FANS (SHT 3,F-3) (LOCATED BELOW DASH POD)

CONNECTS TO WIRE ASM-AUX FANS (SHT 3,F-6) (LOCATED BELOW DASH POD)

CONNECTS TO FORD BACKUP LAMP CIRCUIT (LOCATED NEAR TRANSMISSION)

(LOCATED ON TOP OF DRIVER'S ISLAND BELOW DASH POD)

CONNECTS TO WIRE ASM-BACKUP LAMP (SHT 3,H-4) (LOCATED IN FRONT ELECTRICAL BOX)

CONNECTS TO WIRE ASM-IP, MAIN (SHT 1,C-8) (LOCATED BELOW DASH POD)

CONNECTS TO WIRE ASM-REAR MONITOR (SHT 3,D-6) (LOCATED BELOW DASH POD)

SEE MANUFACTURER'S DIAGRAM FOR ADDITIONAL INFORMATION.