

- (A) USE WITHOUT GENERATOR.
 - (7) WIRE ROUTED IN FLOOR.
 - (B) INSTALL RECEPTACLE WITH GROUND TOWARD OUTBOARD SIDE OF VEHICLE.
 - (C) SEAL WITH BEDDING COMPOUND 69639-01-000.
 - (D) USE WITH GENERATOR ONLY.
3. ALL GROUND WIRES TO BE COVERED WITH TUBING 8041-02-000.
2. ALL 110V WIRES ARE TO BE CLAMPED WITH CLAMP 10497-05-000 WITHIN 200 OF OUTLET BOXES. USE SCREW G67-10-12B.
1. ALL WIRES TO BE CLAMPED WITH CLAMP 10495-01-000 OR CLIP 80734-01-000 EVERY 1220. USE SCREW G67-10-12B UNLESS OTHERWISE SPECIFIED.

(TWIN BED)

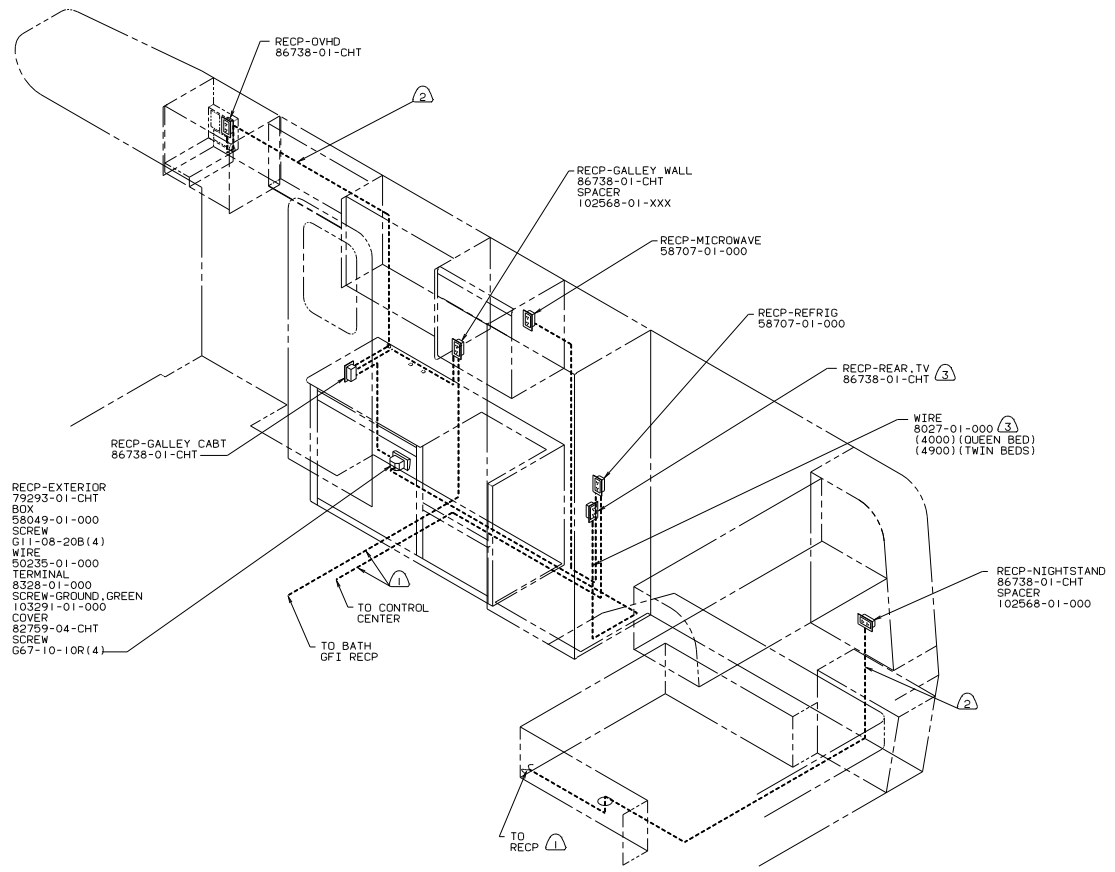
110V WIRING(US)

WINNEBAGO '92 W/IF427/527RO

QTY	UNSPECIFIED TOLERANCES ARE:	MATERIAL
CHP	FRAMES (1/8)	
PLT	ONE-PIECE (1/8)	
PLT	TWO-PIECE (1/8)	
PLT	ANGLE	
CONP	TRUSS ANGLE	
CONP	PROTECTOR	

LAND # TITLE: WIRING INSTL-BODY
 DIA # SCALE: NONE DO NOT SCALE DRAWING FILE NO: 105169
 ALL DIMENSIONS ARE IN MILLIMETERS SHEET 1 OF 11





RECP-EXTERIOR
79293-01-CHT
BOX
58049-01-000
SCREW
G11-08-20B(4)
WIRE
50235-01-000
TERMINAL
8328-01-000
SCREW-GROUND, GREEN
103291-01-000
COVER
82759-04-CHT
SCREW
G67-10-10R(4)

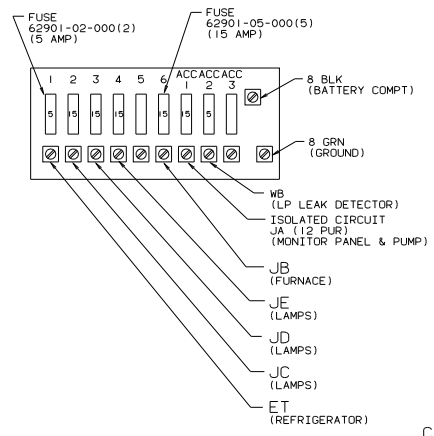
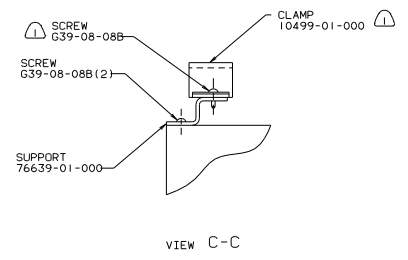
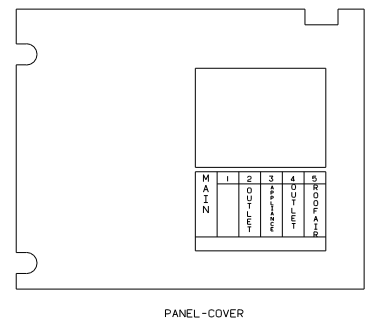
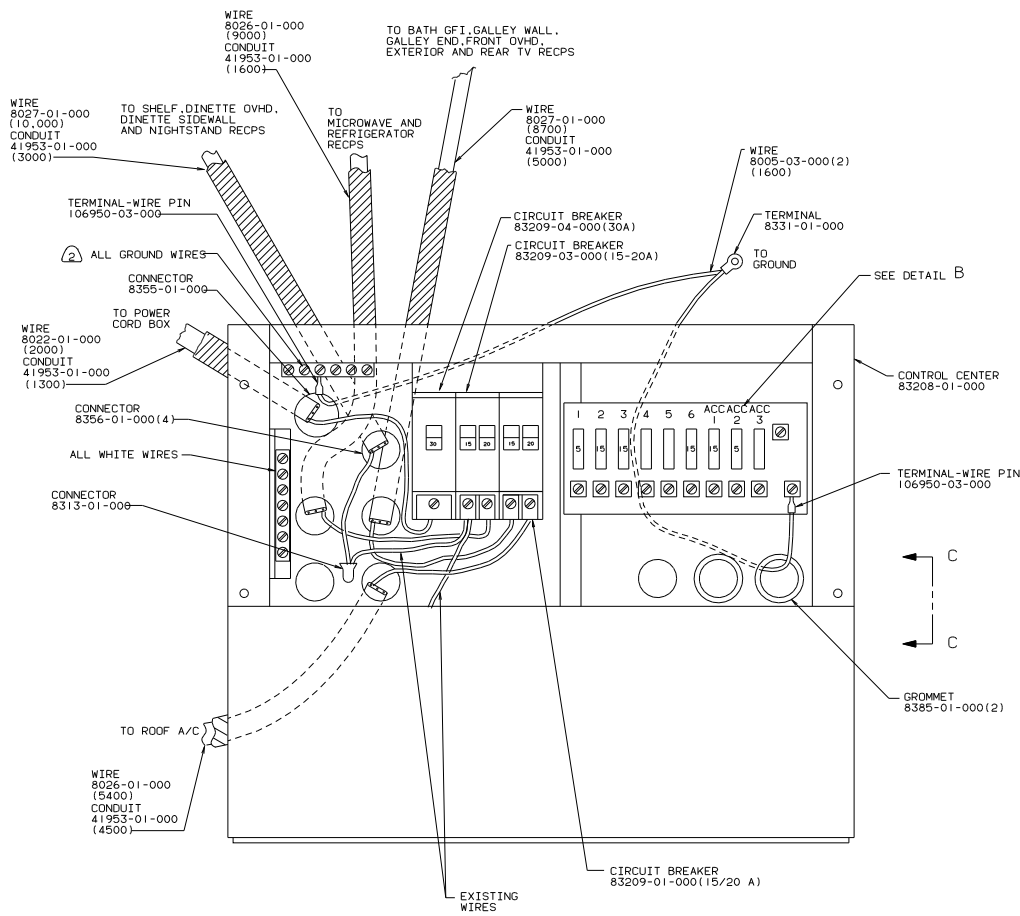
TO CONTROL CENTER
TO BATH GFI RECP
TO RECP

- ③ W/REAR TV STAND.
- ② WIRE ROUTED IN SIDEWALL.
- ① WIRE ROUTED IN FLOOR.

NOTES:

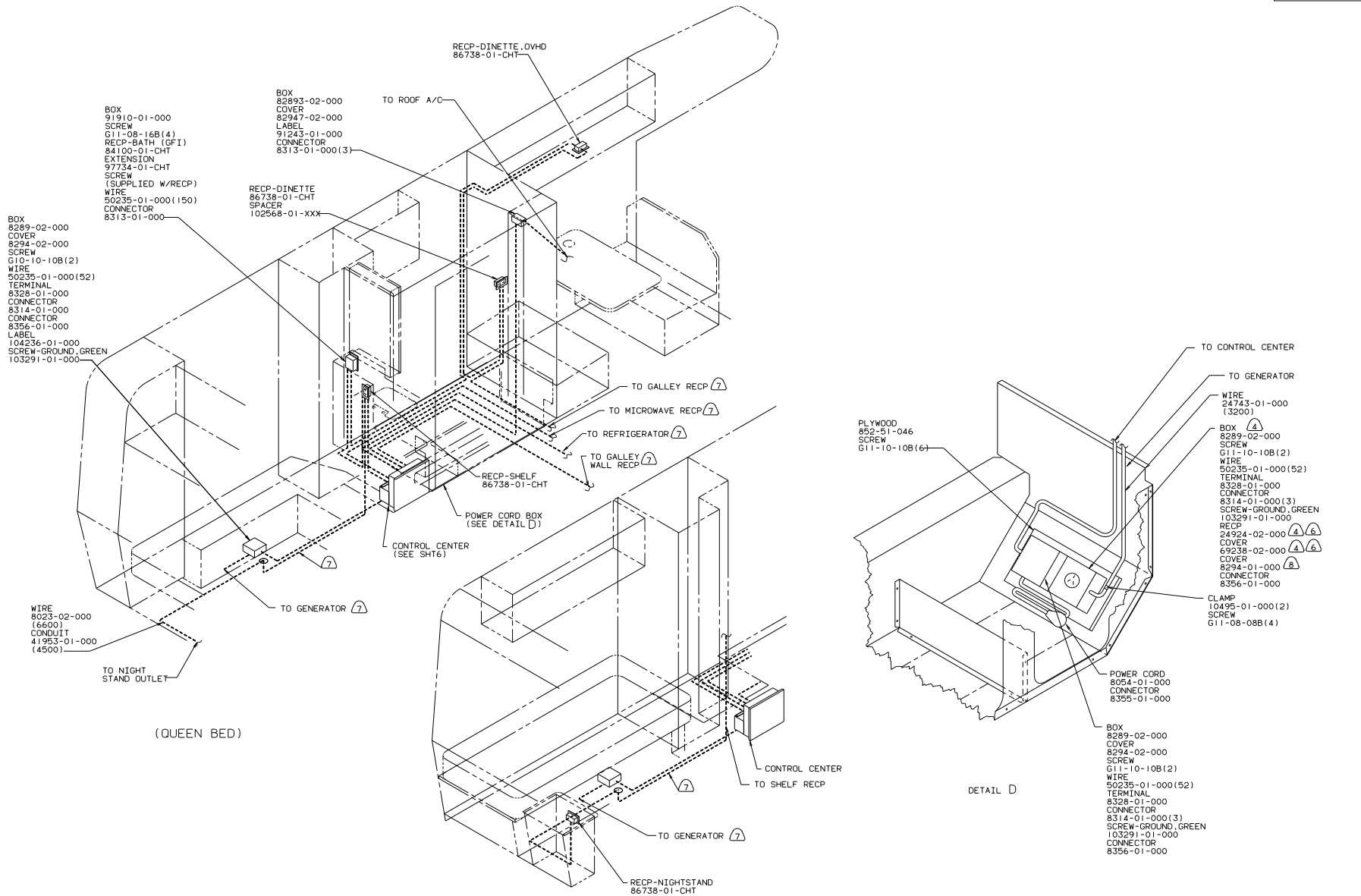
110V WIRING(US)
92 W/IF427/527RQ

TITLE: WIRING INSTL-BODY	
30 NET SCALE DRAWING	FILE NO
SHEET 2 OF 11	105169



CONTROL CENTER (US)
92 W/IF427/527RQ

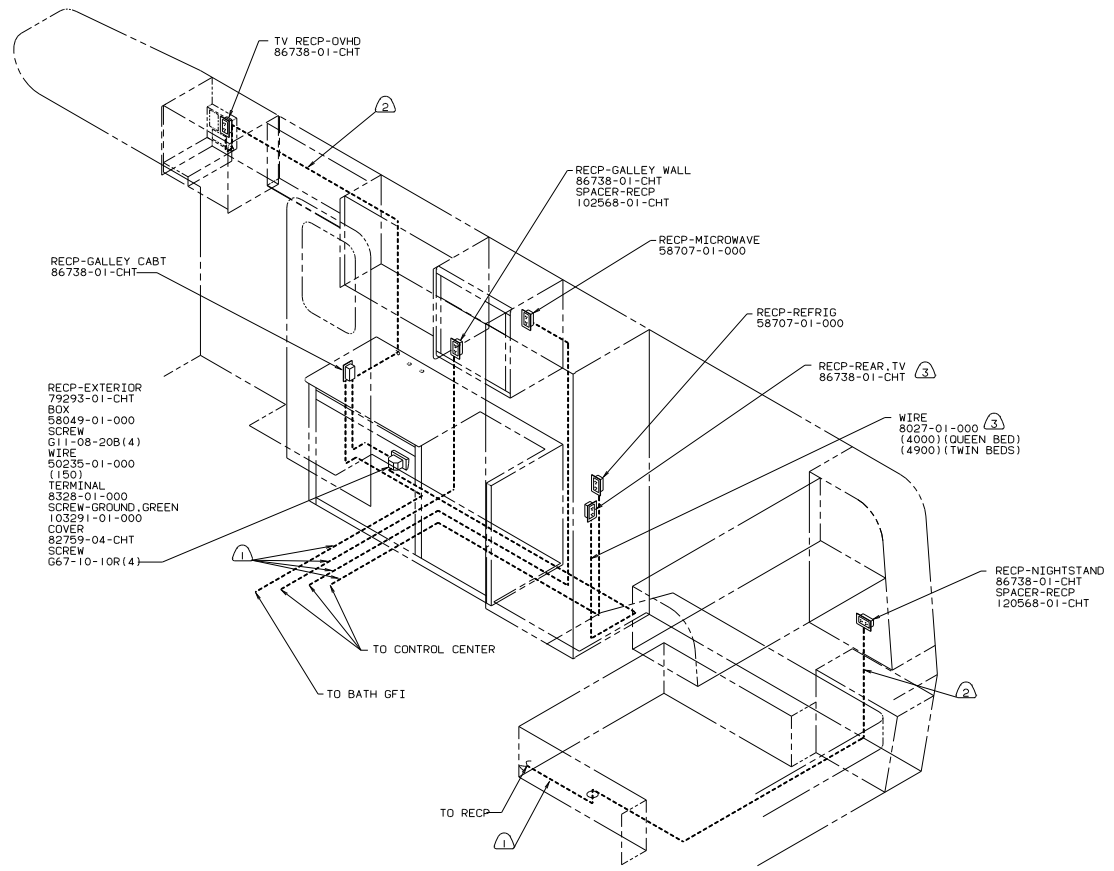
- 2 ALL GROUND WIRES TO BE COVERED WITH TUBING 8041-02-000.
- 1 FASTEN ALL WIRES TO SUPPORT, USE ONE SCREW PER CLAMP.



- Ⓐ USE WITHOUT GENERATOR.
 - Ⓙ WIRE ROUTED IN FLOOR.
 - Ⓜ INSTALL RECEPTACLE WITH GROUND TOWARD OUTBOARD SIDE OF VEHICLE.
 - Ⓝ SEAL WITH BEDDING COMPOUND 69639-01-000.
 - Ⓚ USE WITH GENERATOR ONLY.
3. ALL GROUND WIRES TO BE COVERED WITH TUBING 8041-02-000.
 2. ALL 110V WIRES ARE TO BE CLAMPED WITH CLAMP 10497-05-000 WITHIN 200 OF OUTLET BOXES. USE SCREW G67-10-12B.
 1. ALL WIRES TO BE CLAMPED WITH CLAMP 10495-01-000 OR CLIP 90734-01-000 EVERY 1220. USE SCREW G67-10-12B UNLESS OTHERWISE SPECIFIED.

110V WIRING(CAN)
92 W/IF427/527RQ

TITLE: WIRING INSTL-BODY	
30 NET SCALE DRAWING	FILE NO 105169
SHEET 4 OF 11	1

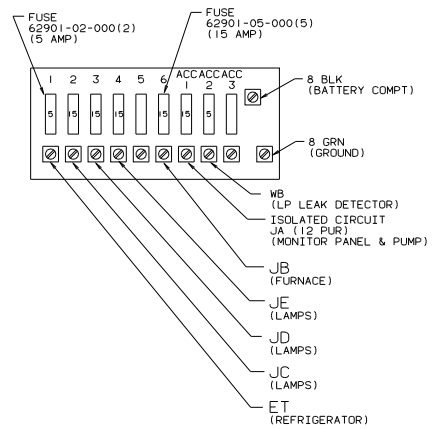
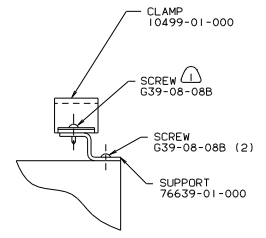
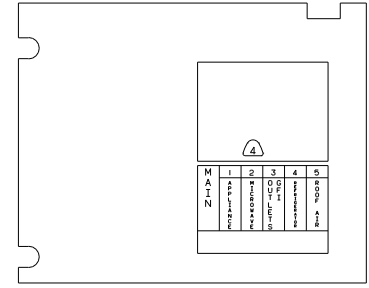
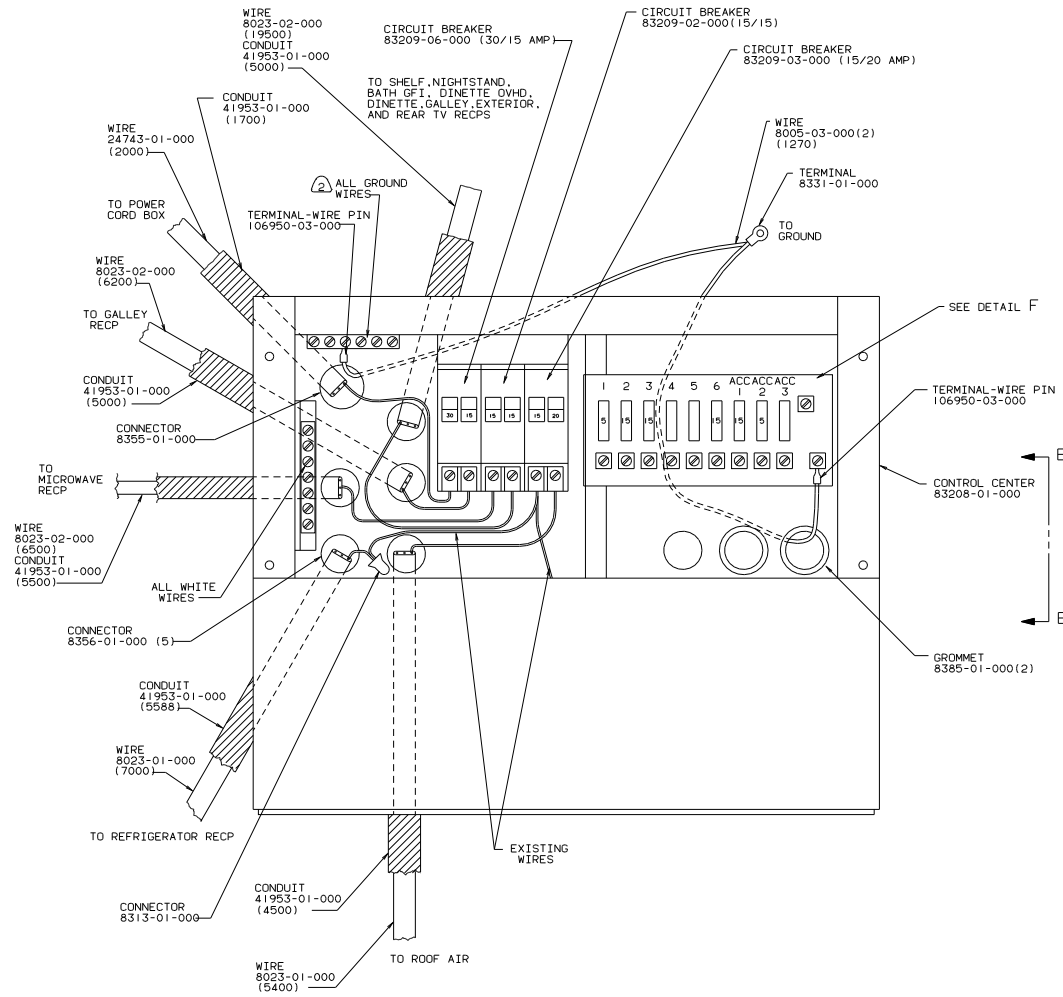


- ③ W/REAR TV STAND.
- ② WIRE ROUTED IN SIDEWALL.
- ① WIRE ROUTED IN FLOOR.

NOTES:

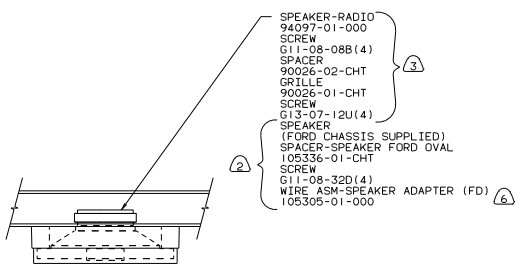
110V WIRING(CAN)
92 W/IF427/527RO

TITLE		WIRING INSTL-BODY	
30 NET SCALE DRAWING	FILE	105169	
SHEET 5	OF 11	1	1



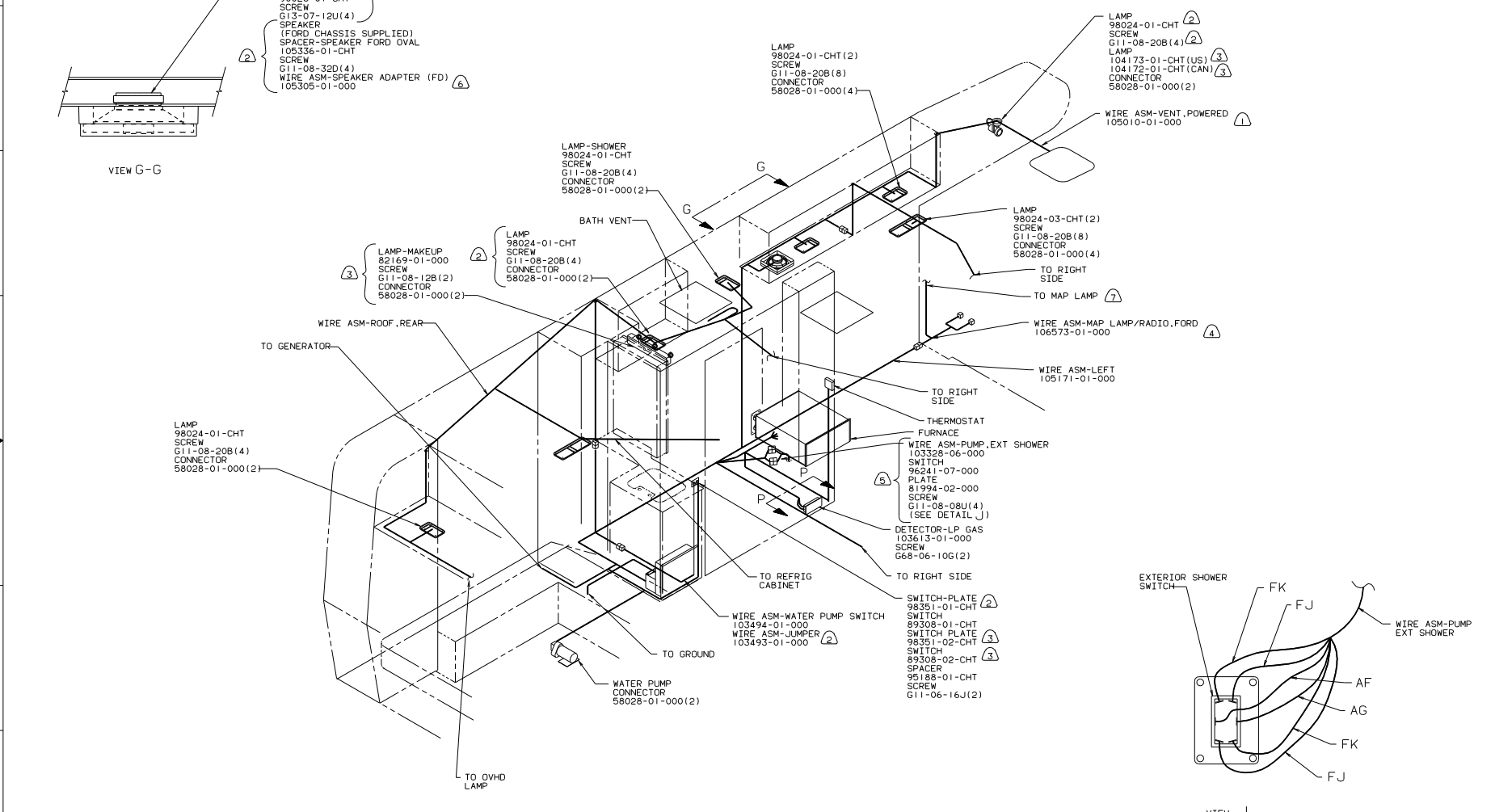
CONTROL CENTER (CAN)
92 W/IF427/527RQ

- NOTES:
- 2 ALL GROUND WIRES TO BE COVERED WITH TUBING 8041-02-000.
 - 1 FASTEN ALL WIRES TO SUPPORT. USE ONE SCREW PER CLAMP.

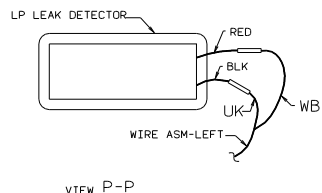


VIEW G-G

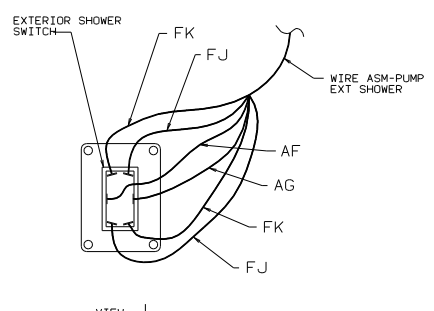
- SPEAKER-RADIO
94097-01-000
- SCREW
G11-08-08B(4)
- SPACER
90026-02-CHT
- GRILLE
90026-01-CHT
- SCREW
G13-07-12U(4)
- SPEAKER
(FORD CHASSIS SUPPLIED)
- SPACER-SPEAKER FORD OVAL
105336-01-CHT
- SCREW
G11-08-32D(4)
- WIRE ASM-SPEAKER ADAPTER (FD)
105305-01-000



- 7. ROUTE UP B-PILLAR AND AROUND PERIMETER OF CAB CUTOUT TO LIGHT.
- 6. CONNECT WIRE LA TO PNK/GRN OR PNK/BLU WIRE LC TO BLK/WHT WIRE.
- 5. WITH EXTERIOR SHOWER. WITHOUT SHOWER CONNECT HOUSINGS ON WIRE ASM-LEFT TOGETHER.
- 4. SEE RADIO INSTALLATION FOR FURTHER INFO.
- 3. USE ON MIDLINER UNITS.
- 2. USE ON LOWLINER UNITS.
- 1. USE WITH FRONT FAN.

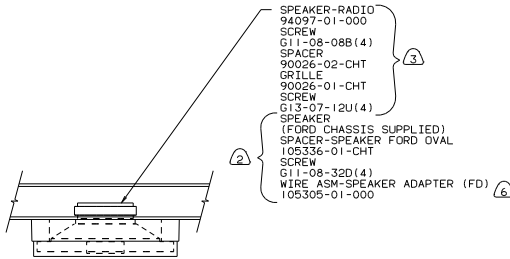


VIEW P-P

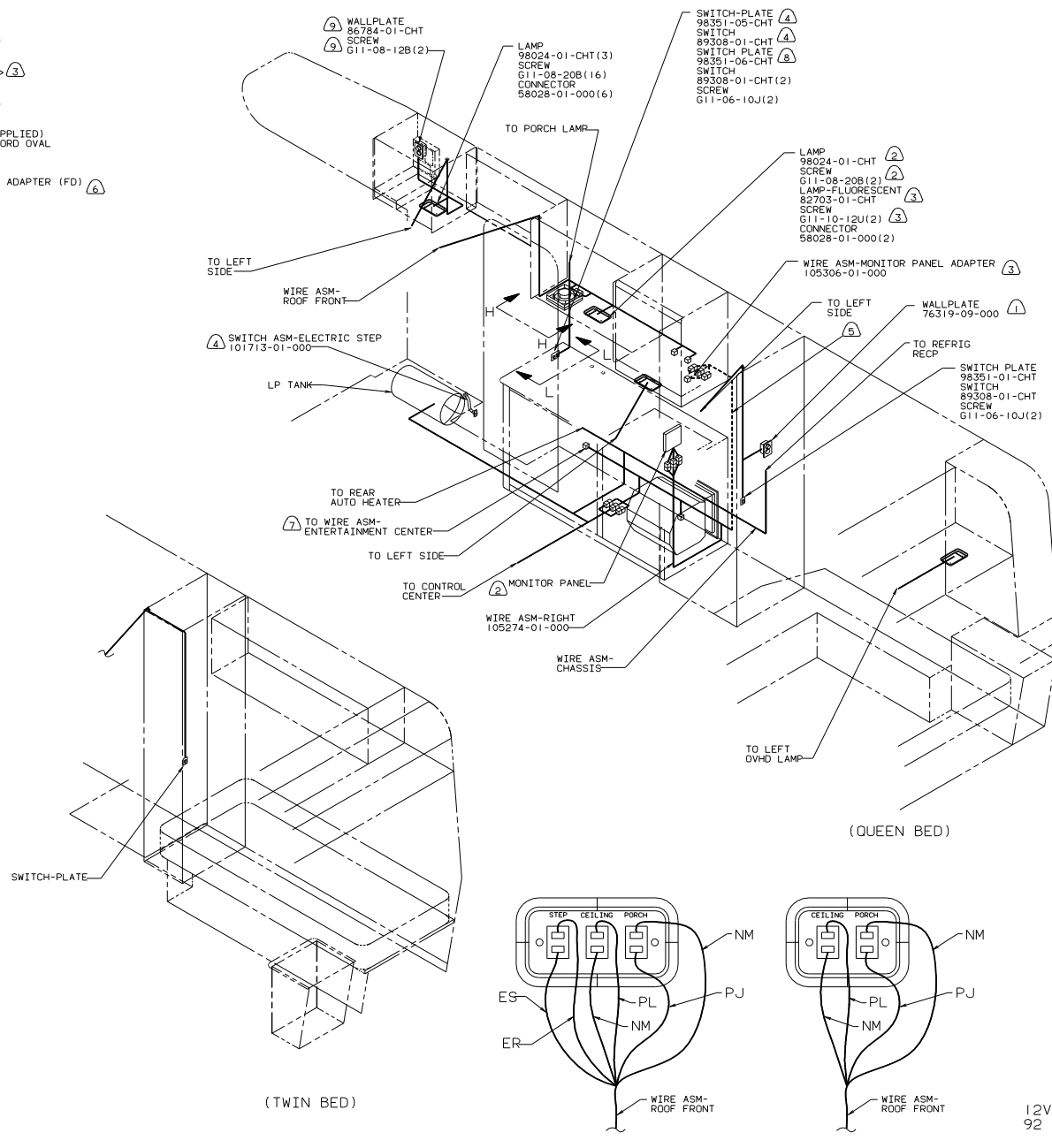


VIEW J

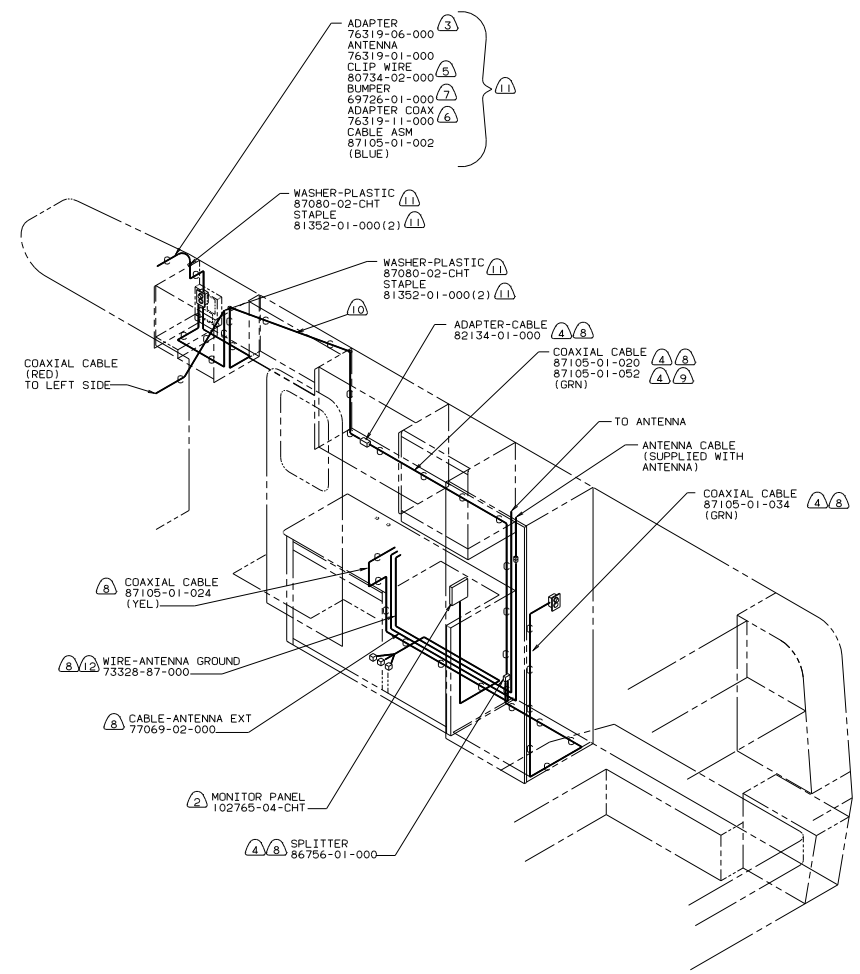
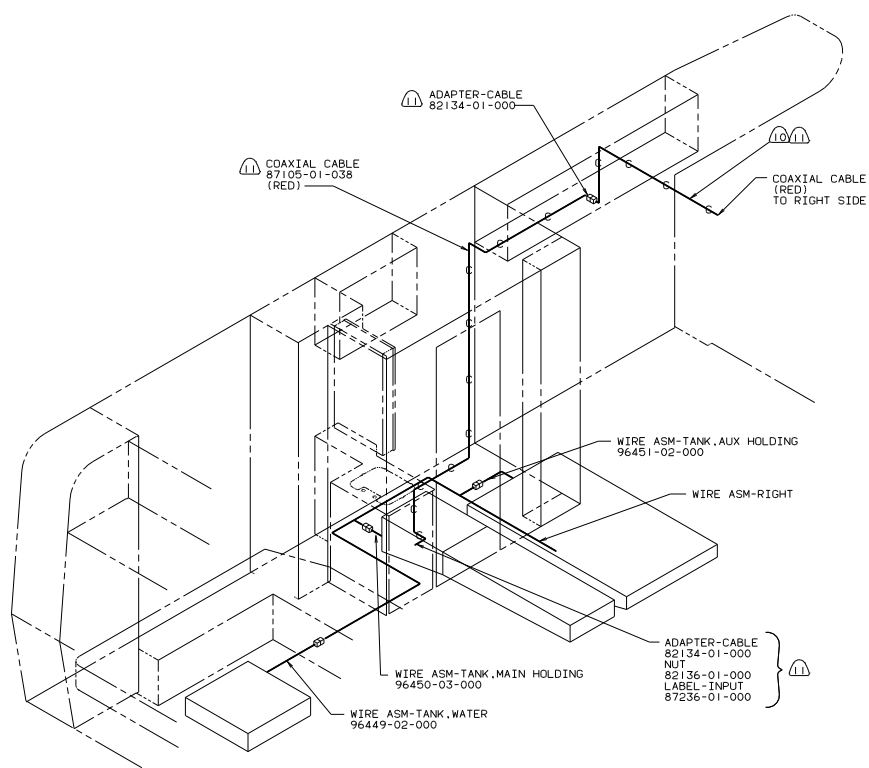
12V WIRING (US/CAN)
92 W/IF 427/527RQ



VIEW H-H



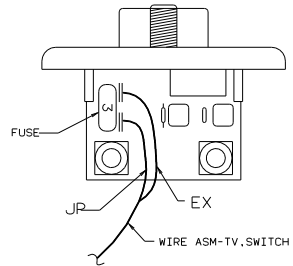
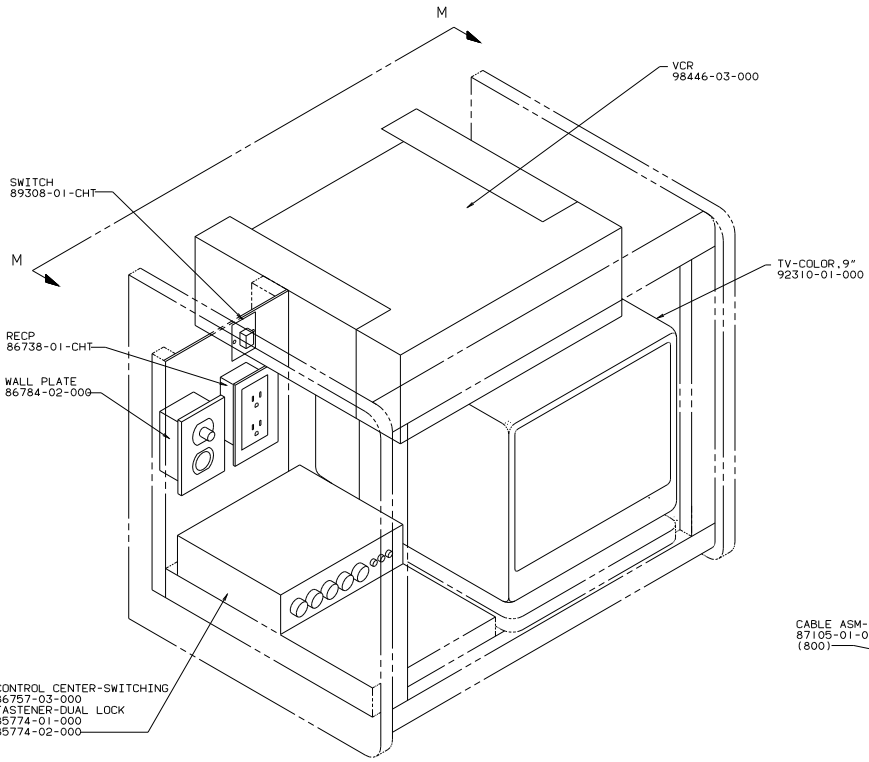
- ① WITH TV ANTENNA.
- ② USE WITHOUT ELECTRIC STEP.
- ③ SEE DRAWING 104896-01-000 FOR FURTHER INFORMATION.
- ④ CONNECT WIRE KX TO PNK/GRN OR PNK/BLU WIRE. LB TO BLK/WHI WIRE.
- ⑤ DASHED LINE SHOWS ROUTING FOR MIDLINE UNITS.
- ⑥ USE WITH ELECTRIC STEP.
- ⑦ USE ON MIDLINE UNITS.
- ⑧ USE ON LOWLINE UNITS.
- ⑨ WITH REAR TV STAND.



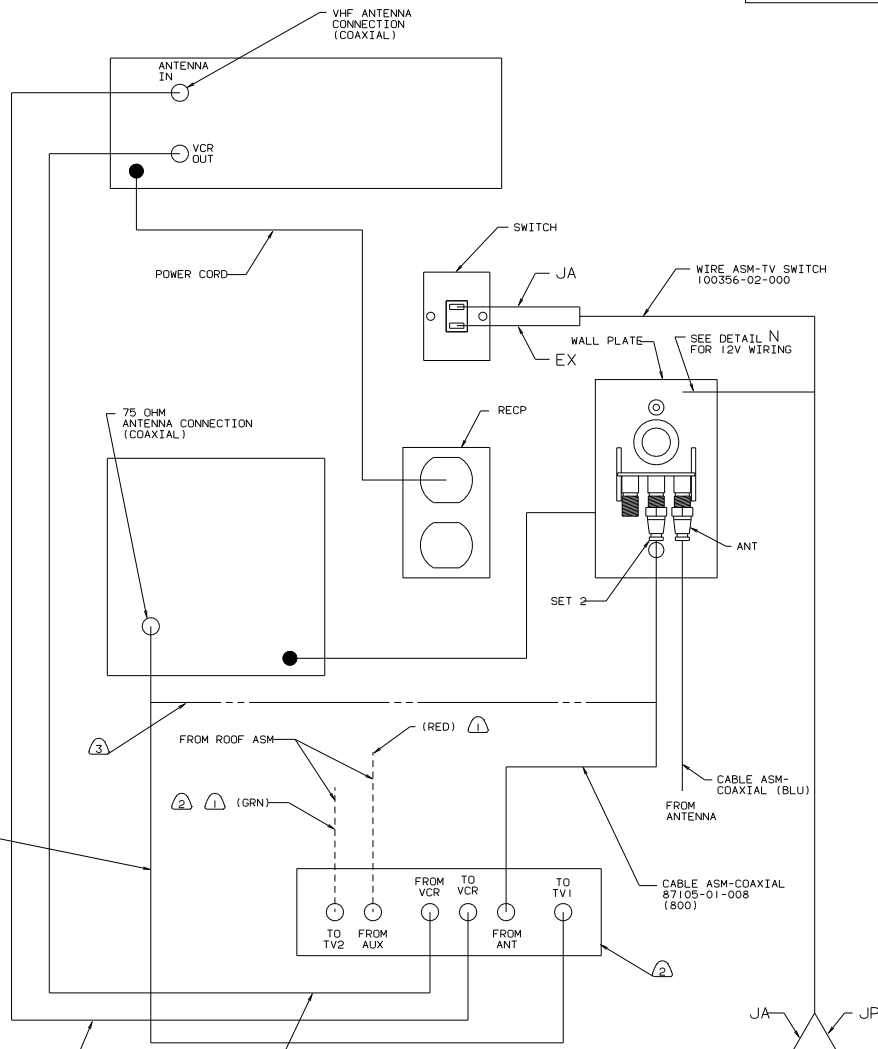
- 12 GROUND TOGETHER WITH EXTERIOR ENTERTAINMENT CENTER GROUND.
 - 11 WITH TV ANTENNA.
 - 10 ROUTED IN ROOF.
 - 9 WITHOUT EXTERIOR ENTERTAINMENT CENTER.
 - 8 WITH EXTERIOR ENTERTAINMENT CENTER. SEE DRAWING 104896-01-000 FOR FURTHER INFORMATION.
 - 7 ADD RUBBER BUMPER TO ROOF UNDER EACH END OF ANTENNA IN DOWN POSITION WHICH MAY COME INTO CONTACT WITH ROOF.
 - 6 ADAPTER-COAX SUPPLIED LOOSE IN VEHICLE.
 - 5 LOCATE TO RETAIN CABLE BUT NOT TO RESTRICT ANTENNA TRAVEL.
 - 4 WITH REAR TV STAND.
 - 3 SEE DRAWING 76319-01-000 FOR INSTALLATION OF TV ANTENNA.
 - 2 SEE DRAWING 72789-01-000 FOR MONITOR PANEL SENSOR INSTALLATION. USE WITH LOWLINE UNITS ONLY.
1. SEE DRAWING 102765-01-000, SHT 4 WIRING DIAGRAM-MONITOR PANEL FOR MONITOR WIRING.

MONITOR PANEL /
COAX CABLE WIRING
92 W/IF427/527RO

TITLE		WIRING INSTL-BODY	
30 NET SCALE DRAWING	REV	DATE	NO
SHEET 9	OF 11	1 E	105169



DETAIL N

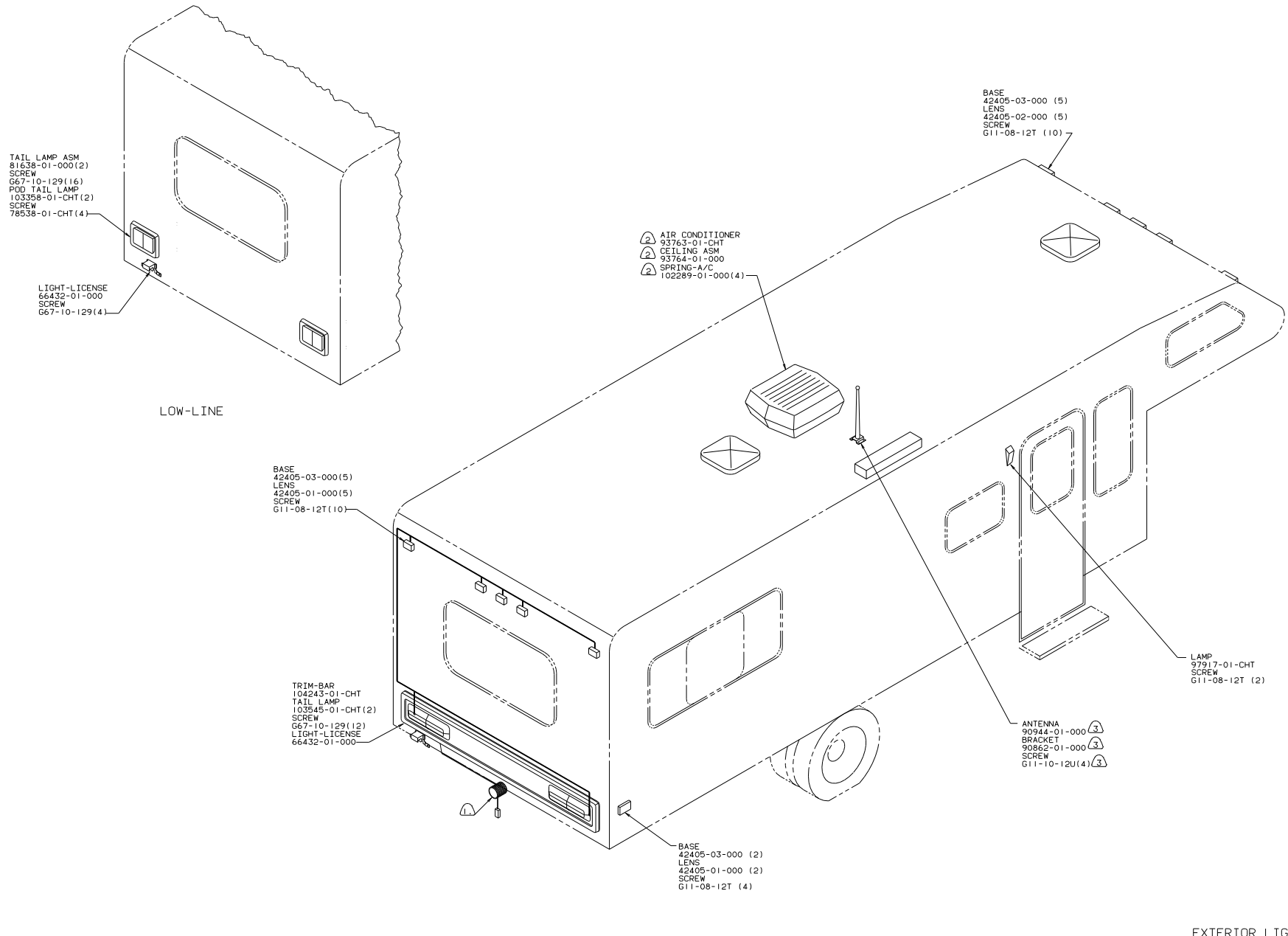


VIEW M-M ROTATED 180°

- ③ PHANTOM LINE SHOWS CONNECTION WITHOUT CONTROL CENTER SWITCHING.
- ② WITH VCR ONLY.
- ① CABLE ASM MARKED WITH COLOR TAPE AS INDICATED.

NOTES:

TITLE: WIRING INSTL-BODY			
30 NET SCALE DRAWING	FILE	DATE	105169
SHEET 10 OF 11	1E		



- ③ WITH EXTERIOR ENTERTAINMENT CENTER.
- ② WITH ROOF AIR.
- ⚠ COIL BRANCH (TRAILER PLUG HOUSING) AND SECURE TO CHASSIS RAIL WITH CLAMP 10495-01-000, SCREW G67-10-12B.

EXTERIOR LIGHTING
92 W/IF427/527RO

TITLE: WIRING INSTL-BODY	
30 NET SCALE DRAWING	REV 1.0
SHEET 11 OF 11	FIG NO 105169