

PIPE 10194-01-000 (US)
 10194-02-000 (CAN)
 240

ITASCA

SINK 68615-01-000
 STRAINER W/BASKET
 66437-01-000 (2)
 SEALER
 69640-01-000
 NJT
 66435-01-000 (2)

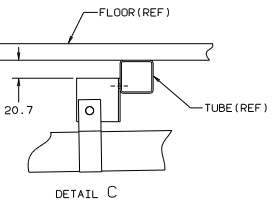
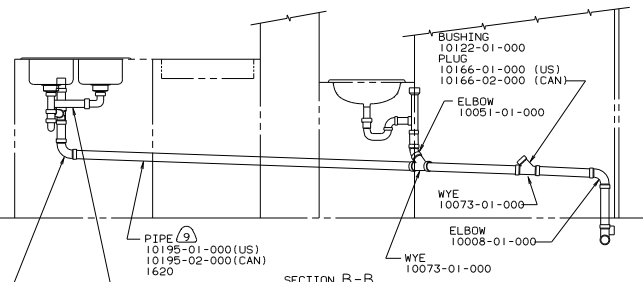
SINK 93526-01-000
 STRAINER W/BASKET
 69303-01-000 (2)
 SEALER
 69640-01-000

WINNEBAGO

PIPE 10194-01-000 (US)
 10194-02-000 (CAN)
 200

ELBOW 10009-01-000
 TEE 10079-01-000
 PIPE 10194-01-000 (US)
 10194-02-000 (CAN)
 175
 PIPE 10195-01-000 (US)
 10195-02-000 (CAN)
 600
 PIPE 10195-01-000 (US)
 10195-02-000 (CAN)
 330

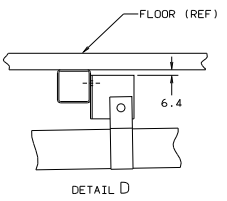
VALVE ASM 70916-01-000
 ADAPTER-HOSE 62416-01-000 (1)
 HOSE 10201-01-000 (2)
 ADAPTER 103354-01-000
 ADAPTER 89330-01-000
 CLAMP 62401-05-000 (2)



ELBOW 10000-01-000
 PIPE 10194-01-000 (US)
 10194-02-000 (CAN)
 80
 COUPLER-RUBBER, 1.5 X 1.5 89355-01-000
 VENT (7) 89069-01-000
 SEALER 69640-03-000
 SCREW G67-10-126 (12)

PLATE-COVER 94346-04-000
 STAPLE 5408-01-000

SHOWER INSTL-ENCLOSURE 101538-01-000
 STRAINER 66729-01-000
 SEALER 69640-01-000
 NUT 66486-01-000
 WASHER 69735-01-000
 TAILPIECE 11069-02-000
 NUT 66435-01-000



TOILET 84738-01-000 (AQUA TV)
 79565-01-000 (AQUA MAGIC)
 85321-03-000 (CHINA)
 FLANGE 63461-01-000 (US)
 63641-02-000 (CAN)
 TEE 10079-01-000
 ELBOW 10061-01-000
 ELBOW 10024-01-000
 PIPE 10197-01-000 (70)
 GROUPEM 61607-02-000 (6)

ELBOW 33761-01-000
 NIPPLE-PLAS 102024-01-000

TANK ASM (10) 101786-04-000
 PLATE 94346-02-000
 ELBOW 34250-01-000

PIPE 10197-01-000 (US)
 10197-02-000 (CAN)
 75
 PIPE 10197-01-000 (US)
 10197-02-000 (CAN)
 75

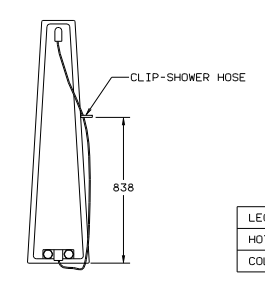
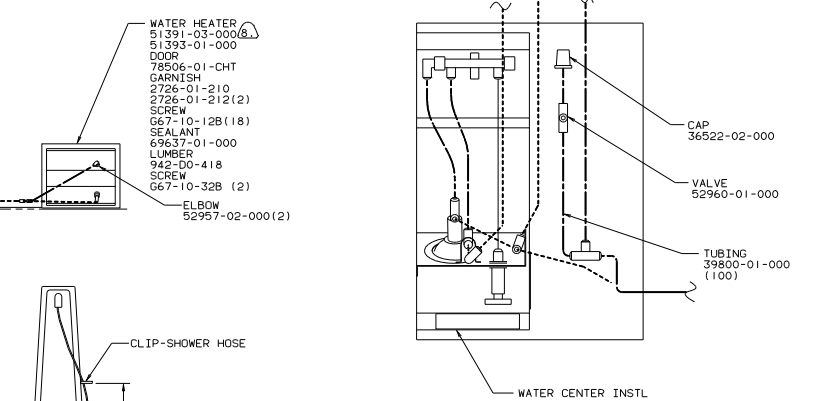
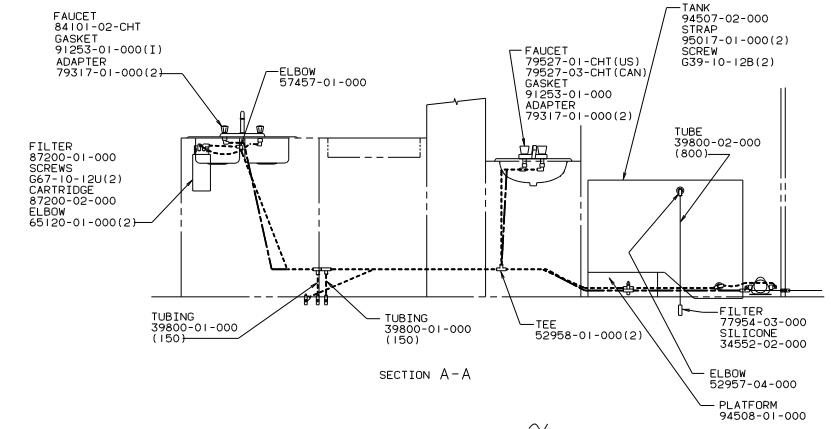
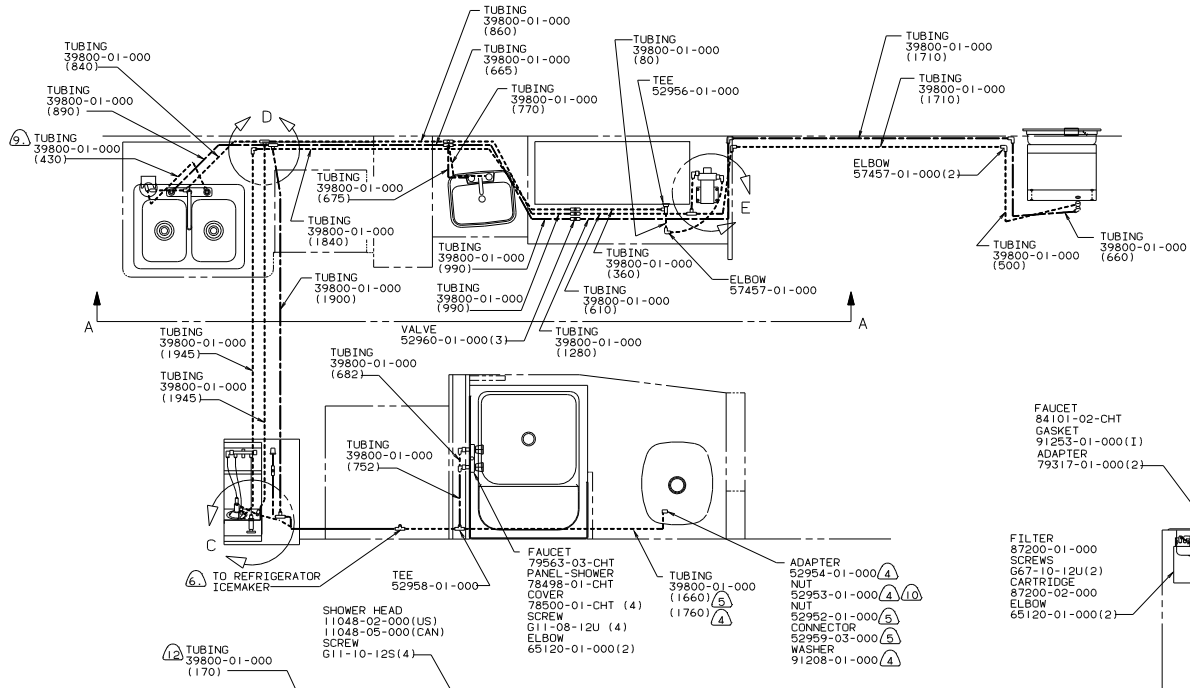
VIEW A-A

WINNEBAGO 91 W1CN36R0

| | | |
|------|-----------------------------|----------|
| DATE | UNSPECIFIED TOLERANCES ARE: | MATERIAL |
| CHKD | FRAC 1/16 | AS SHOWN |
| DWG | ONE-PLAC 1/32 | |
| FILE | TWO-PLAC 1/64 | |
| CONC | THREE-PLAC 1/32 | |
| | FOUR-PLAC 1/64 | |
| | FIVE-PLAC 1/128 | |
| | SIX-PLAC 1/256 | |
| | SEVEN-PLAC 1/512 | |
| | EIGHT-PLAC 1/1024 | |
| | NINE-PLAC 1/2048 | |
| | TEN-PLAC 1/4096 | |

LANOIT N36R01 TITLE: DRAINAGE SYSTEM INSTL
 DRAWN: J.E. BY: J.E. DATE: 10/18/99
 REF: 94370

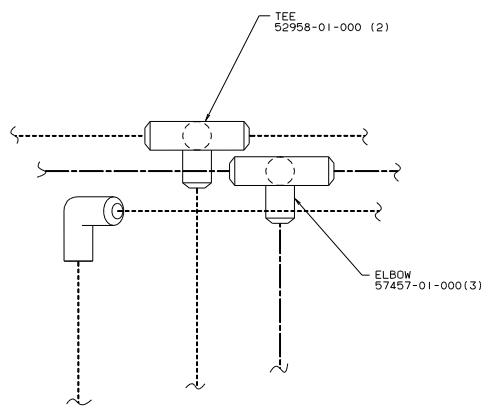
1. SEE DWG 93128-02-000 FOR TANK INSTL.
2. LOCATE CLAMP ON GALLEY CABINET FOR PROPER SLOPE.
3. SECURE VENT TUBES TO FLOOR.
4. VENT PIPE MUST BE PROJECT 51MM MIN TO 64MM MAX ABOVE ROOF FOR PROPER FIT AND FUNCTION.
5. SEE DWG 61607-01-000 FOR INSTL OF GROUPEM.
6. SEAL ALL AROUND SHOWER WITH SILICON 78474-01-000.
7. FOR CANADIAN UNITS EACH HOLDING TANK SHALL HAVE A CSA APPROVAL STAMPED NEAR IAPMO APPROVAL.
8. ALL PIPE AND FITTINGS TO BE ASSEMBLED WITH SOLVENT 4020-01-000.
9. SLOPE OF TRAP MUST BE 6 PER 300 MINIMUM.
10. SLOPE OF HORIZONTAL PIPING TO BE 6 PER 300 MINIMUM.



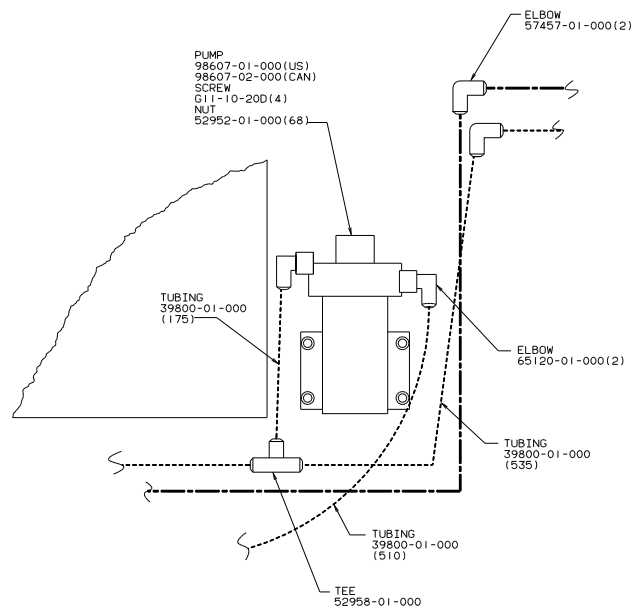
1. PLASTIC FITTINGS TO BE SEALED WITH SEALANT 84456-01-000.
 2. TUBING TO BE INSTALLED WITH SUFFICIENT SLOPE TO PROVIDE DRAINAGE TO NEAREST VALVE.
 3. ALL TUBING TO BE SECURED AT 1200 INTERVALS MAXIMUM WITH CLIP 91951-01-000 AND SCREW G13-06-18U.
- ① USE WITHOUT ICEMAKER IN REFRIGERATOR.
 - ② USE WITH ICEMAKER IN REFRIGERATOR.
 - ③ USE WITH AQUA MAGIC.
 - ④ USE WITH AQUA IV.
 - ⑤ UNION CONNECTOR, SLEEVE, AND NUT ARE SUPPLIED WITH ICEMAKER REFRIGERATOR.
 - ⑥ SCREW WOOD TO UNDERSIDE OF WARDROBE CABT. SCREW BYPASS VALVE TO WOOD.
 - ⑦ USE WITHOUT MOTOR AID.
 - ⑧ USE WITH WATER FILTER.
 - ⑨ USE WITH TOILET 85321-01-000.

| LEGEND | |
|--------|-------|
| HOT | ----- |
| COLD | ----- |

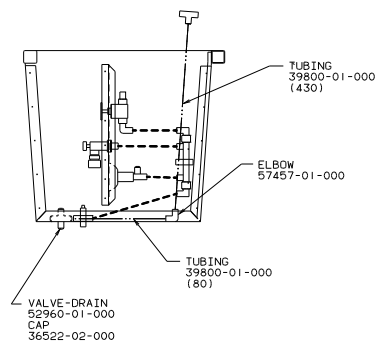
| | |
|-----------------------------------|-----------------------------|
| WINNEMAGO 91 W1CN36R0 | |
| DATE | UNSPECIFIED TOLERANCES ARE: |
| DWG | WHOLE DIM (IN) ± |
| P/E | ONE-PLACE (IN, IN) ± |
| FILE | TWO-PLACE (IN, IN) ± |
| FILE | ANGLE |
| FILE | ANGLE |
| FILE | TRIPLE ANGLE PROJECTION |
| LANOFF | N36R01 |
| DIA # | SCALE: NONE |
| ALL DIMENSIONS ARE IN MILLIMETERS | SHEET 1 OF 3 |
| WINGS | WATER SYSTEM INSTL |
| 2 REF: 97346 | 101898 |



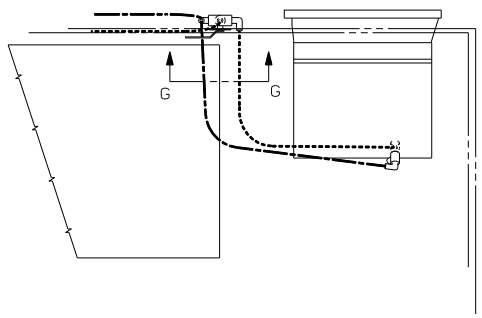
DETAIL D



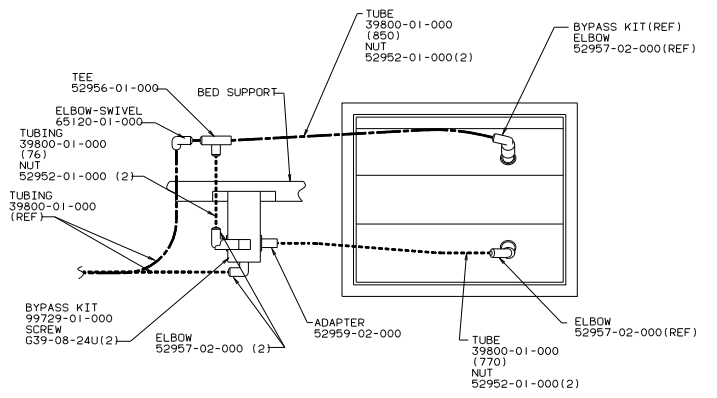
DETAIL E



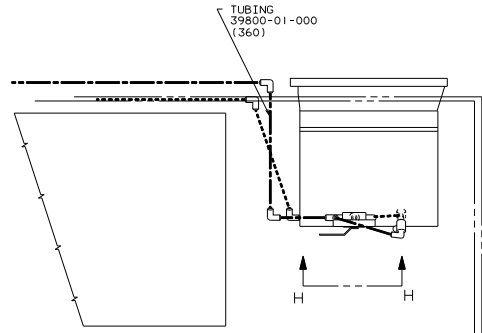
VIEW F-F



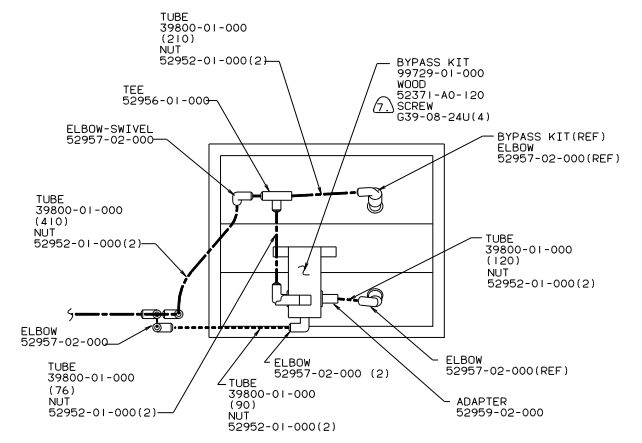
TWIN BED



VIEW G-G



QUEEN BED



VIEW H-H

WATER HEATER BYPASS OPTION

91 W/1CN36RD

| | | | |
|----------------------|------|--------------------|--------|
| TITLE | | WATER SYSTEM INSTL | |
| DO NOT SCALE DRAWING | DATE | REV | NO |
| SHEET 3 OF 3 | | | 101898 |