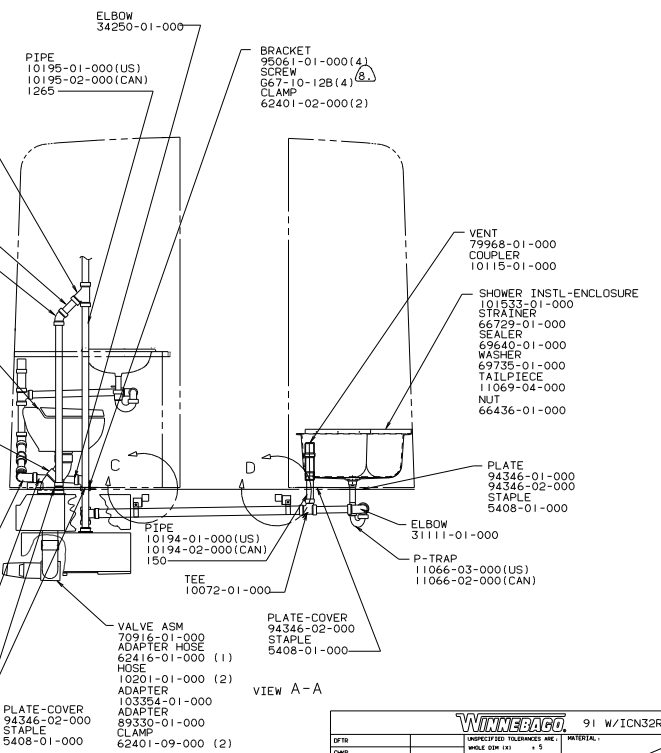
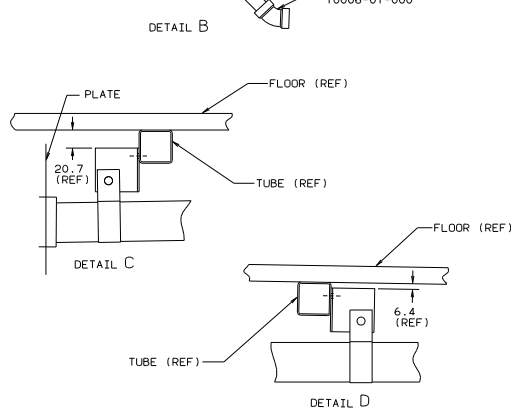
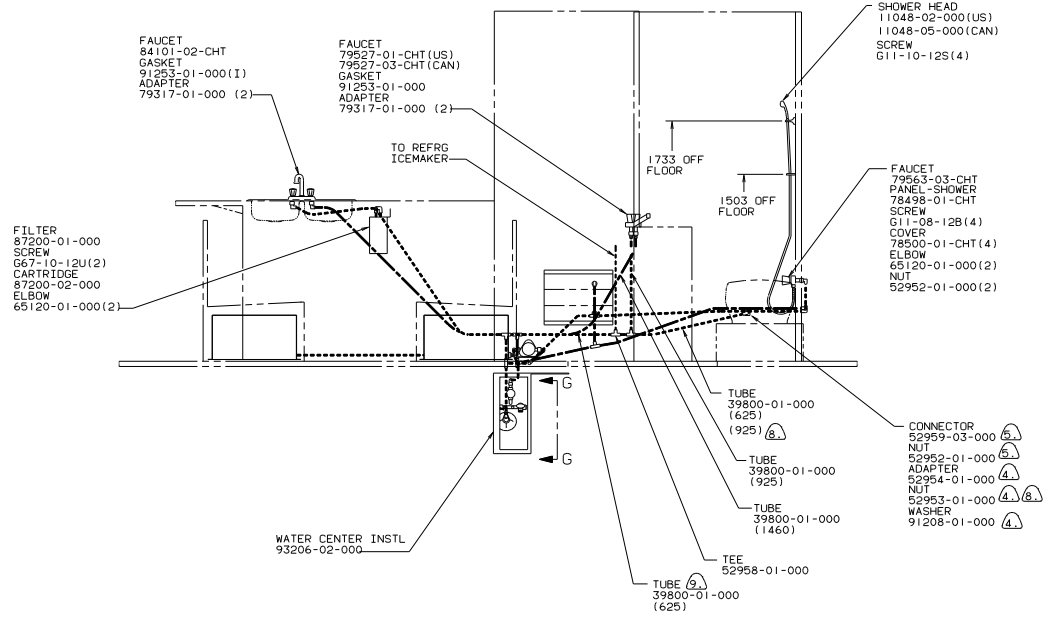
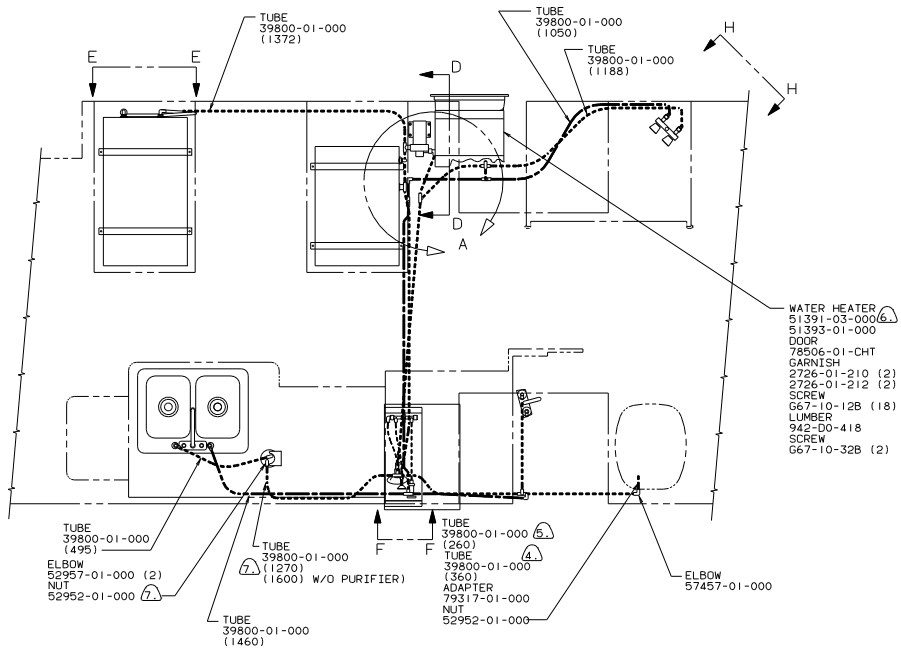


- (D) SEE DRAWING 93128-02-000 FOR TANK INSTL.
 (A) DIMENSION IS FROM CENTERLINE OF PIPE TO CENTERLINE OF FRONT AXLE.
 (B) SECURE VENT TUBES TO FLOOR.
 (7) VENT PIPE MUST BE PROJECT 51MM MIN TO 64MM MAX ABOVE ROOF FOR PROPER FIT AND FUNCTION.
 (6) SEE DWG 61607-01-000 FOR INSTL OF GROMMET.
 5. SEAL ALL AROUND SHOWER WITH SILICON 78474-01-CHT.
 4. FOR CANADIAN UNITS EACH HOLDING TANK SHALL HAVE A CSA APPROVAL STAMPED NEAR IAPMO APPROVAL.
 3. ALL PIPE AND FITTINGS TO BE ASSEMBLED WITH SOLVENT 4020-01-000.
 2. SLOPE OF TRAP MUST BE 6 PER 300 MINIMUM.
 1. SLOPE OF HORIZONTAL PIPING TO BE 6 PER 300 MINIMUM.



WINNAGO 91 W/ICN32R0	
DATED: 10/11/11 DRAWN: [] P.E.: [] I.P.E.: [] CHECKED: [] DATE: []	PROJECT: 101726 SHEET NO: 5 TITLE: DRAINAGE SYSTEM INSTL DATE: 10/11/11



- ⑩ USE WITH ICEMAKER.
 - ⑨ USE WITHOUT ICEMAKER.
 - ⑧ USE WITH TOILET 85321-03-CHT.
 - ⑦ USE WITH WATER FILTER.
 - ⑥ USE WITHOUT MOTOR AID.
 - ⑤ USE WITH AQUA MAGIC.
 - ④ USE WITH AQUA IV.
3. ALL TUBING TO BE SECURED AT 1200 INTERVALS MAXIMUM. WITH CLIP 91951-01-000 AND SCREW G13-06-16U.
 2. TUBING TO BE INSTALLED WITH SUFFICIENT SLOPE TO PROVIDE DRAINAGE TO NEAREST VALVE.
 1. PLASTIC FITTINGS TO BE SEALED WITH SEALANT 84456-01-000.

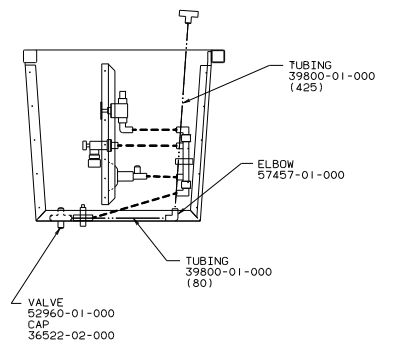
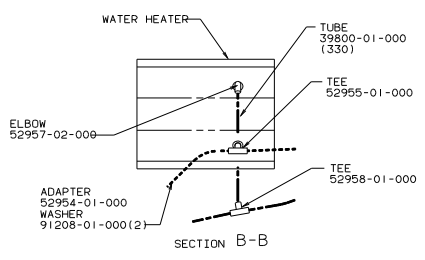
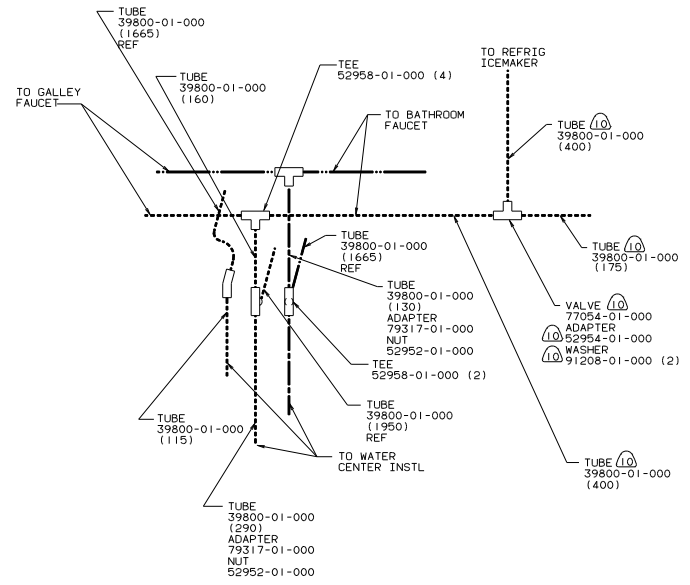
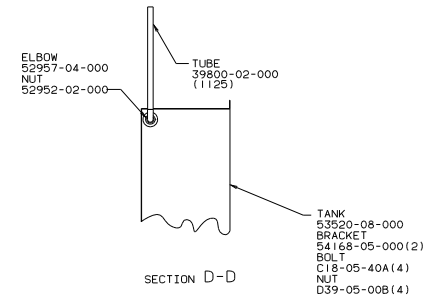
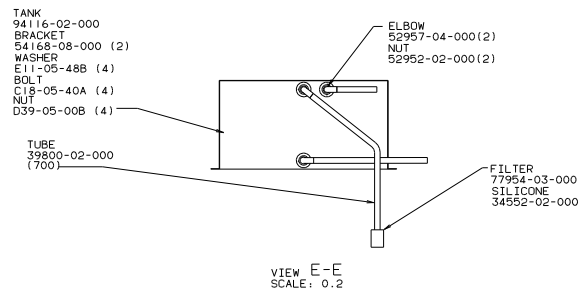
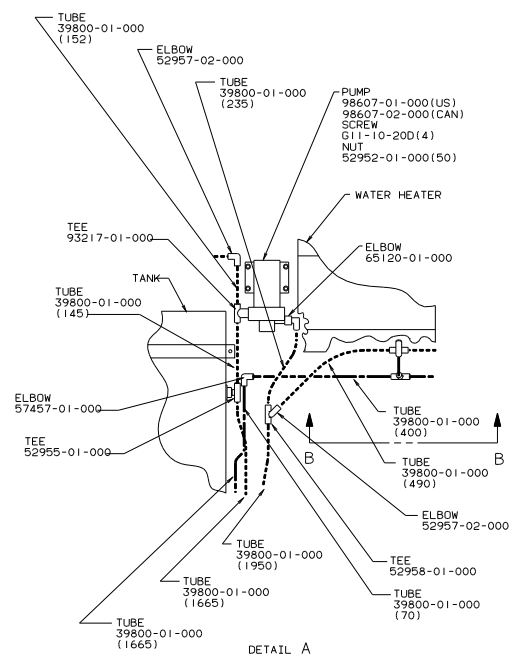
LEGEND

HOT	—————
COLD	-----

WINNIEGAGO 91 W/1CN33R0

DATE	UNSPECIFIED TOLERANCES ARE:	MATERIAL
CHRP	FRAMES (IN) ± 1.5	
DR	ONE-PLATE (IN) ± 0.5	
PL	TWO-PLATE (IN) ± 0.5	
W/E	ANGLE	
CDR	TRUSS ANGLE PROJECTION	

LANSET NO. N33R01 TITLE: WATER SYSTEM INSTL
 DIA # SCALE: NONE DO NOT SCALE DRAWING SIZE: 11x17
 ALL DIMENSIONS ARE IN MILLIMETERS SHEET 1 OF 3 REF: 96888 101725



- TANK 94116-02-000
- BRACKET 54168-08-000 (2)
- WASHER E11-05-48B (4)
- BOLT C18-05-40A (4)
- NUT D39-05-00B (4)
- TUBE 39800-02-000 (700)
- ELBOW 52957-04-000(2)
- NUT 52952-02-000(2)
- FILTER 77954-03-000
- SILICONE 34552-02-000

- TANK 53520-08-000
- BRACKET 54168-05-000(2)
- BOLT C18-05-40A(4)
- NUT D39-05-00B(4)
- TUBE 39800-02-000 (1125)
- ELBOW 52957-04-000
- NUT 52952-02-000

- WATER HEATER
- TUBE 39800-01-000 (330)
- TEE 52955-01-000
- ELBOW 52957-02-000
- ADAPTER 52954-01-000
- WASHER 91208-01-000(2)
- TEE 52958-01-000

- TUBING 39800-01-000 (425)
- ELBOW 57457-01-000
- TUBING 39800-01-000 (80)
- VALVE 52960-01-000
- CAP 36522-02-000

BYPASS KIT
99729-01-000
SCREW
G39-08-24U(2)
ELBOW
52957-02-000(3)

TUBE
39800-01-000
(710)

TUBE
39800-01-000
(475)
NUT
52952-01-000 (2)

TUBE
39800-01-000
(75)

TUBE
39800-01-000
(75)

BYPASS KIT
(REF)
ELBOW
52957-02-000(REF)

TEE
52958-01-000

TUBE
39800-01-000
(145)

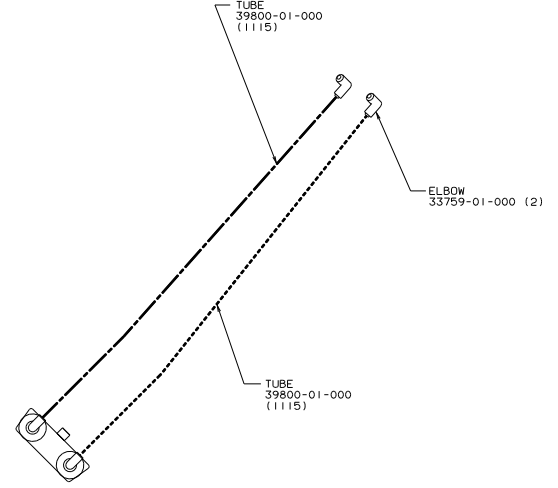
TUBE
39800-01-000
(105)

TUBE
39800-01-000
(1950)
REF

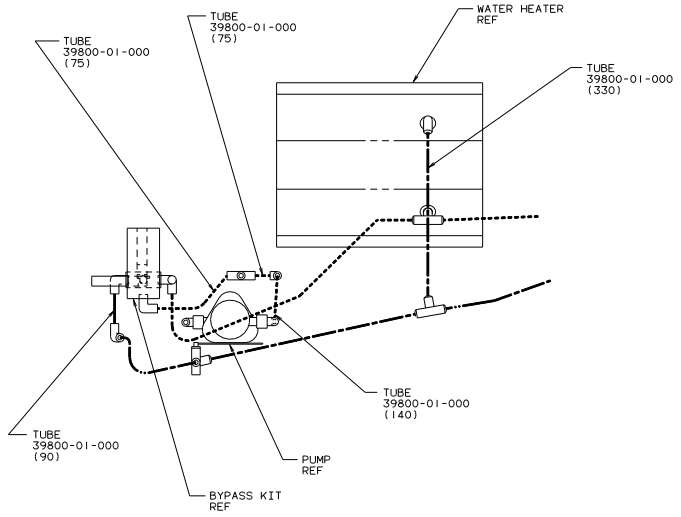
TUBE
39800-01-000
(460)

TUBE
39800-01-000
(1665)
REF

DETAIL A
BYPASS OPTION



VIEW H-H



VIEW J-J

TITLE: WATER SYSTEM INSTL	
30 NET SCALE DRAWING	SIZE 1/2" = 1'-0"
SHEET 3 OF 3	DATE 10/17/25