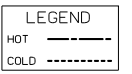
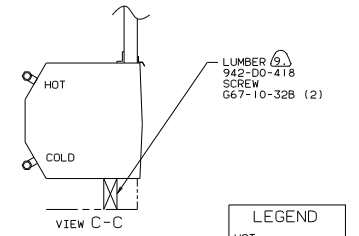
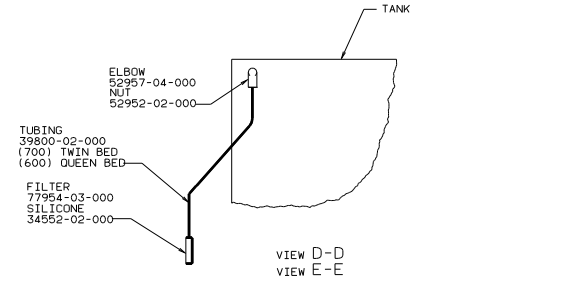
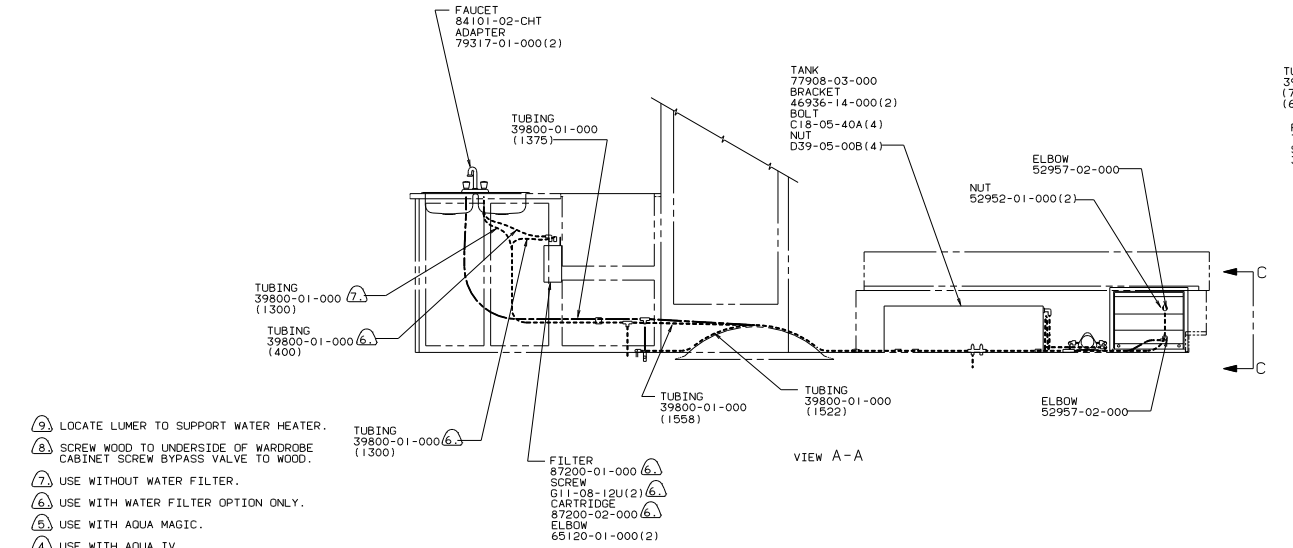
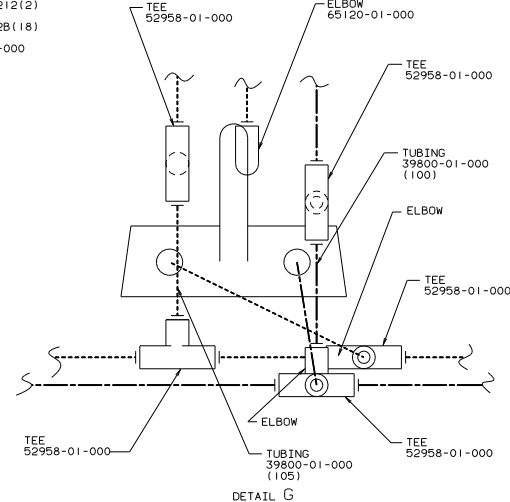
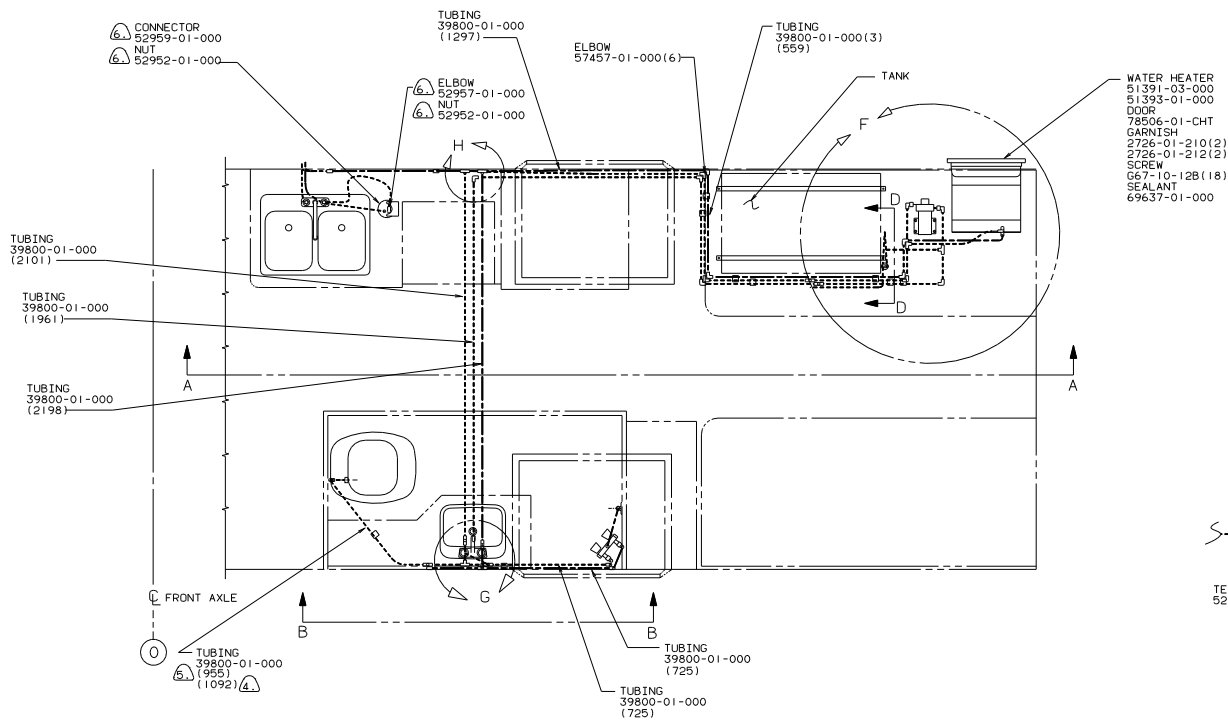


- ① USE WITHOUT CHINA.
 - ② USE WITH CHINA.
 - ③ POSITION PLATE UNDER CARPET.
 - ④ SEE DWG 93128-02-000 FOR INSTL OF TANK.
 - ⑤ VENT PIPE MUST PROJECT 51MM MIN TO 64MM MAX ABOVE ROOF FOR PROPER FIT AND FUNCTION.
 - ⑥ SEE DWG 61607-01-000 FOR INSTL OF GROMMET.
5. SEAL ALL AROUND SHOWER WITH SILICONE 78474-01-CHT.
 4. FOR CANADIAN UNITS EACH HOLDING TANK SHALL HAVE A CSA APPROVAL STAMPED NEAR IAPMO APPROVAL.
 3. ALL PIPE AND FITTINGS TO BE ASSEMBLED WITH SOLVENT 4020-01-000.
 2. SLOPE OF TRAP MUST BE 6 PER 300 MINIMUM.
 1. SLOPE OF HORIZONTAL PIPING TO BE 6 PER 300 MINIMUM.

		91 W/ICN28RT
DTN DWG P/E M/E DRG	UNDESIGNED TOLERANCES ARE: HOLE DIM (H) +0.05 DIM-PLATE (H, L, R) ±0.15 ANGLE THROU-HOLE PROJECTION	MATERIAL: 101714
LAYER: N27RTO DIA # SCALE: 0.1 ALL DIMENSIONS ARE IN MILLIMETERS	TITLE: DRAINAGE SYSTEM INSTL	SHEET 1 OF 1 101714



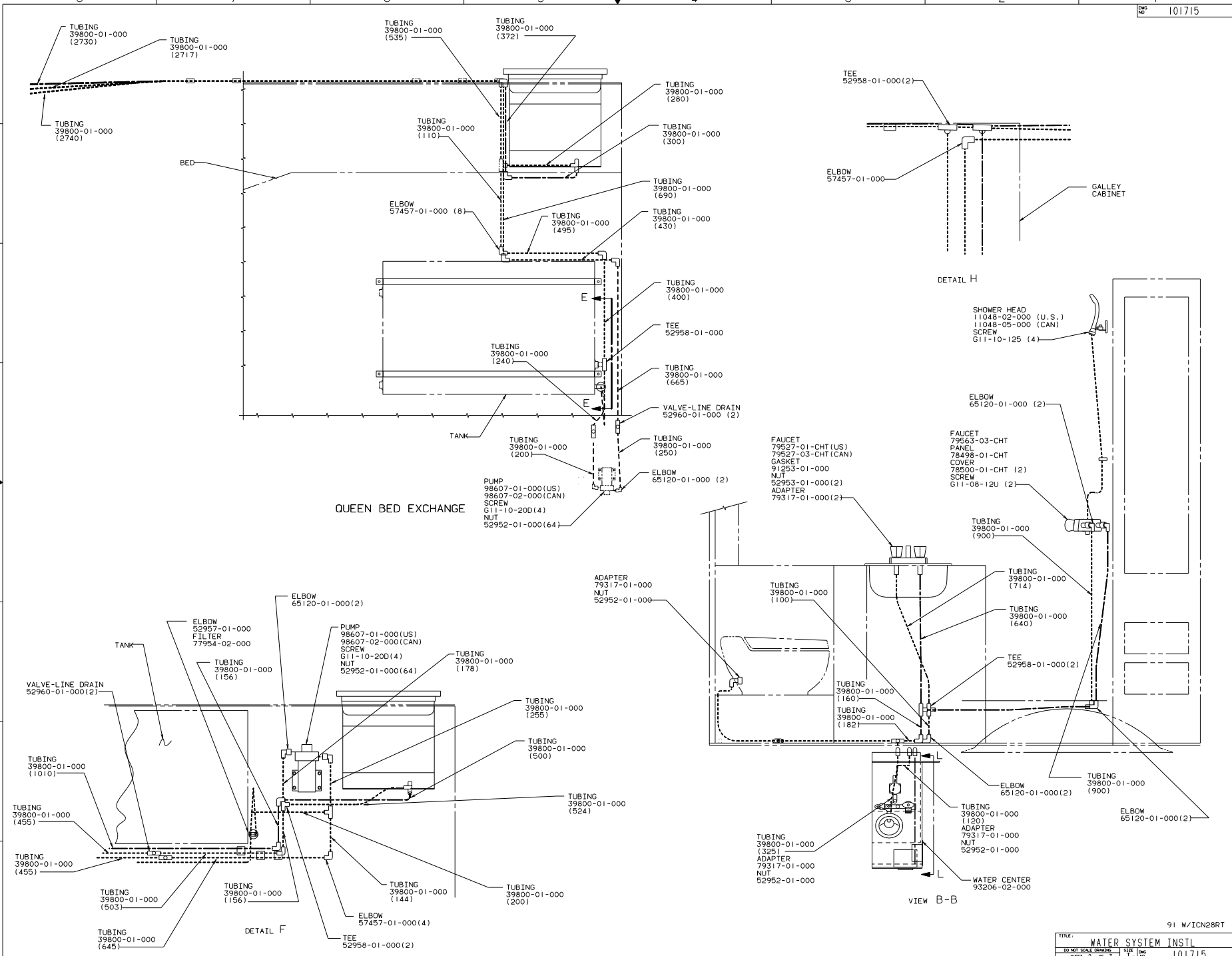
- ③ LOCATE LUMER TO SUPPORT WATER HEATER.
 - ④ SCREW WOOD TO UNDERSIDE OF WARDROBE CABINET SCREW BYPASS VALVE TO WOOD.
 - ⑦ USE WITHOUT WATER FILTER.
 - ⑥ USE WITH WATER FILTER OPTION ONLY.
 - ⑤ USE WITH AQUA MAGIC.
 - ④ USE WITH AQUA IV.
3. ALL TUBING TO BE SECURED AT 1200 INTERVALS MAXIMUM. WITH CLIP 91951-01-000 (REF) AND SCREW G13-06-16U (REF).
2. TUBING TO BE INSTALLED WITH SUFFICIENT SLOPE TO PROVIDE DRAINAGE TO NEAREST VALVE.
1. PLASTICS FITTINGS TO BE SEALED WITH SEALANT 84456-01-000.

NOTES:

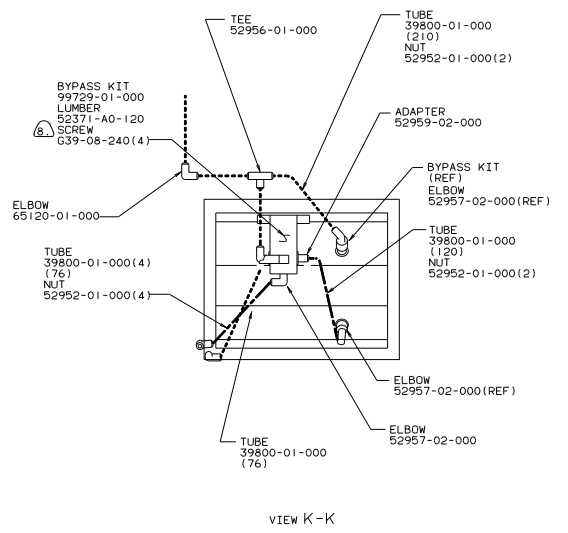
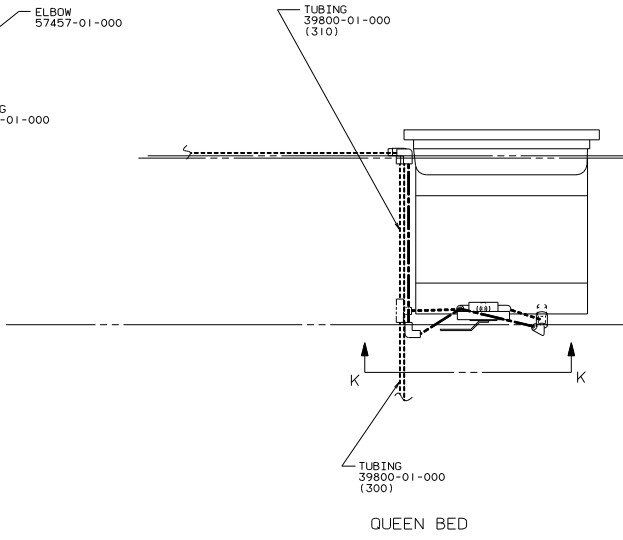
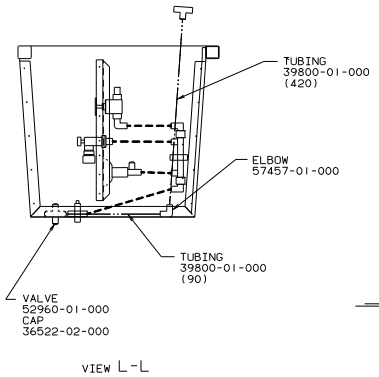
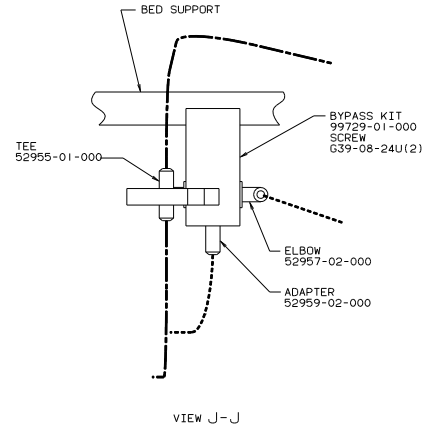
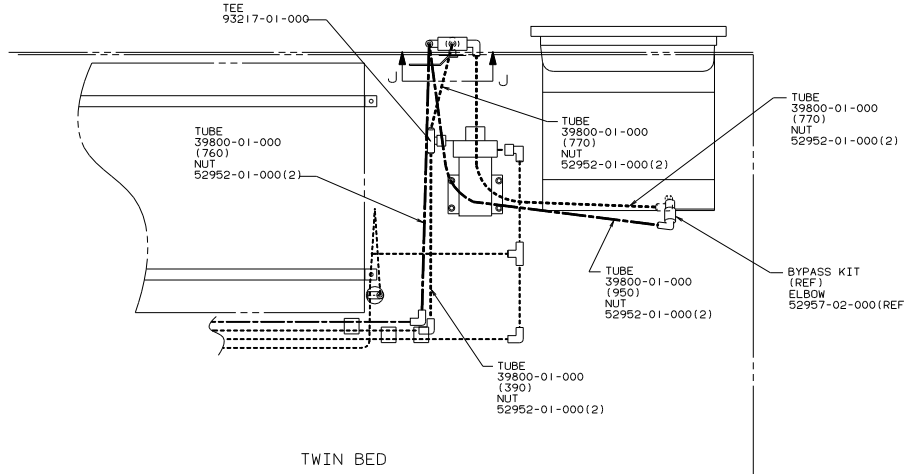
WINNERAGO 91 W/1CN28RT

QTY	UNSPECIFIED TOLERANCES ARE:	MATERIAL
CHRP	WHOLE DIM (IN)	F
F	ONE-PLACE (IN.XI)	F
F	TWO-PLACE (IN.XXX)	F
F	ANGLE	F
CDR	THIRD ANGLE PROJECTION	F

LANE# N27R10 TITLE: WATER SYSTEM INSTL
 DIA # SCALE: 0:1 DO NOT SCALE DRAWING SIZE: 11x17
 ALL DIMENSIONS ARE IN MILLIMETERS SHEET 1 OF 3



TITLE: WATER SYSTEM INSTL		91 W/ICN28RT	
30 MILL SCALE DRAWING	DATE	REV	DESIGN NO
SHEET 2 OF 3		1 E	101715



WATER HEATER BYPASS OPTION

91 W/ICN28RT

TITLE: WATER SYSTEM INSTL	
30 NET SCALE DRAWING	3 of 3
REV 1	DATE 101715