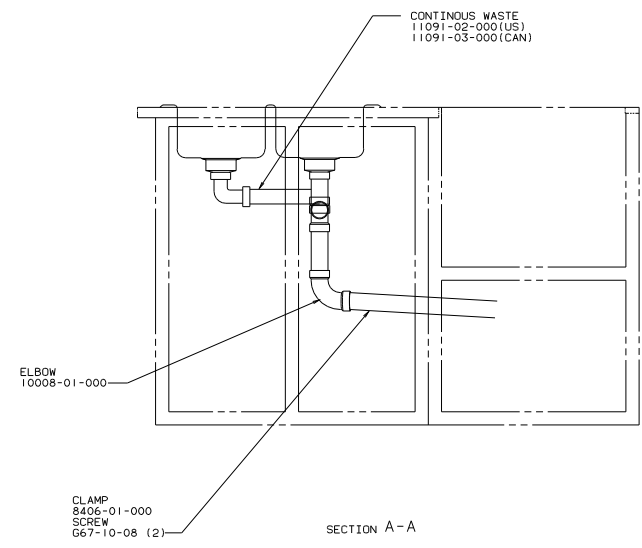
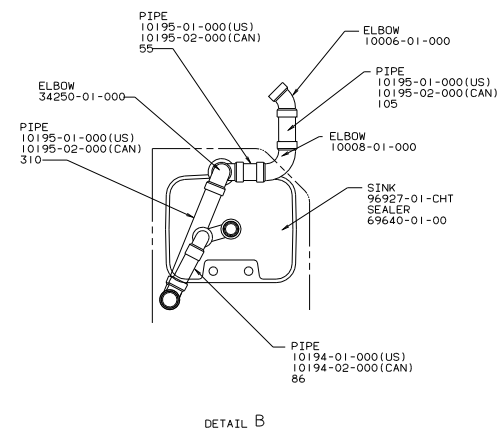
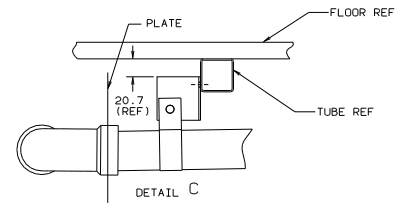
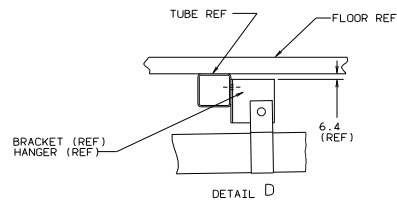
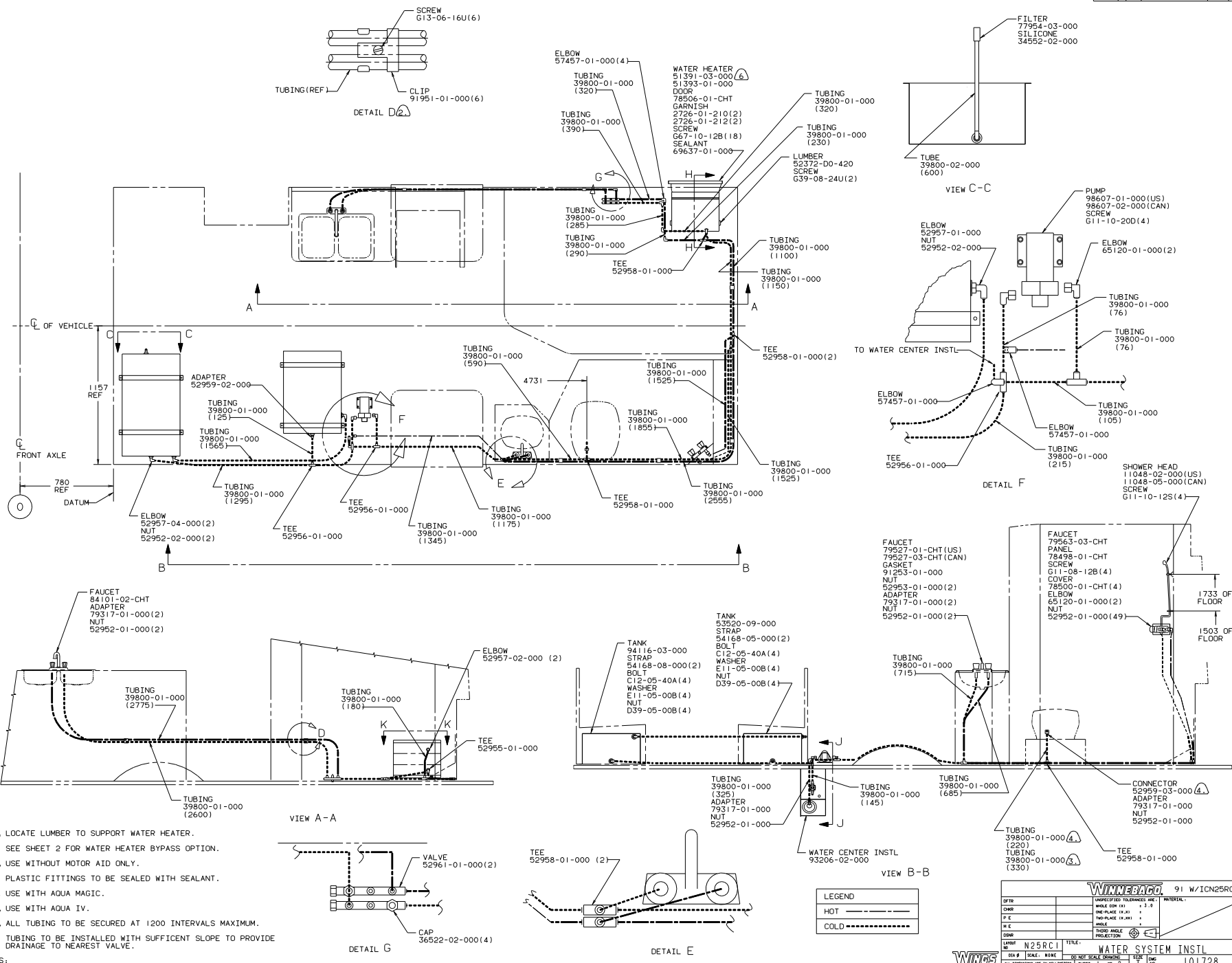


- ① SECURE VENT TUBE TO FLOOR.
- ② SEE DWG 93128-02-000 FOR INSTL OF TANK.
- ③ VENT PIPE MUST PROJECT 51MM TO 64MM MAX ABOVE ROOF FOR PROPER FIT AND FUNCTION.
- ④ SEE DWG 61607-01-000 FOR INSTL OF GROMMET.
6. SEAL ALL AROUND BATHTUB WITH SILICONE 78474-01-000.
5. FOR CANADIAN UNITS EACH HOLDING TANK SHALL HAVE A CSA APPROVAL STAMPED NEAR THE IAPMO APPROVAL.
4. ALL EXTERIOR OPENINGS AROUND PIPE TO BE SEALED WITH 69637-01-000.
3. ALL PIPE AND FITTINGS TO BE ASSEMBLED WITH SOLVENT 4020-01-000.
2. SLOPE OF TRAP MUST BE 6 PER 300 MINIMUM.
1. SLOPE OF HORIZONTAL PIPING TO BE 6 PER 300 MINIMUM.

WINNAGO 91 W/1CN25RC	
DATE	UNSPECIFIED TOLERANCES ARE:
DRW	ANGLE DIM (1) 1/2
FILE	ONE PLACE (1.41)
REV	TWO PLACE (19.24)
CON	ANGLE
	THIRD ANGLE
	PROJECTION
LAND NO	N25RC1
DIA #	SCALE: 0:1
	DO NOT SCALE DIMENSIONS
	ALL DIMENSIONS ARE IN MILLIMETERS
SHEET	1 OF 2
DATE	101727

DRAINAGE SYSTEM INSTL  
 REF: 96898





- NOTES:
- ① LOCATE LUMBER TO SUPPORT WATER HEATER.
  - 7. SEE SHEET 2 FOR WATER HEATER BYPASS OPTION.
  - ② USE WITHOUT MOTOR AID ONLY.
  - 5. PLASTIC FITTINGS TO BE SEALED WITH SEALANT.
  - ④ USE WITH AQUA MAGIC.
  - ③ USE WITH AQUA IV.
  - ② ALL TUBING TO BE SECURED AT 1200 INTERVALS MAXIMUM.
  - 1. TUBING TO BE INSTALLED WITH SUFFICIENT SLOPE TO PROVIDE DRAINAGE TO NEAREST VALVE.

LEGEND

HOT	———
COLD	-----

**WINNEAGO** 91 W/1CN25RC

UNSPECIFIED TOLERANCES ARE:

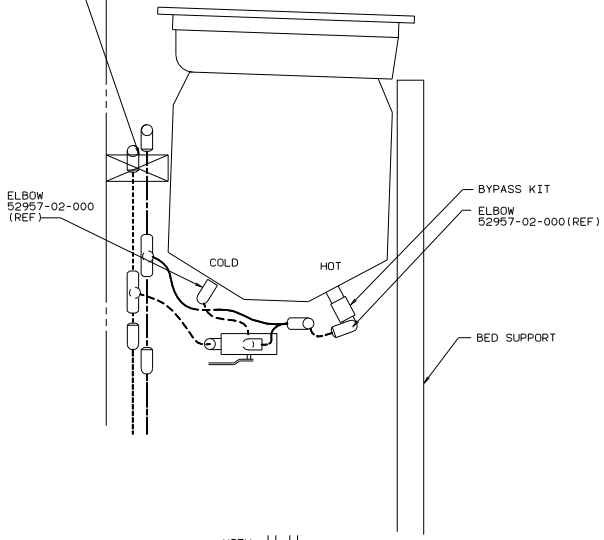
DPTH	FR	1:1
DRW	ONE-PLACE (1:1)	1:1
PL	ONE-PLACE (1:1)	1:1
IN	ANGLE	1:1
CON	INDIC. ANGLE	1:1
INDIC.	INDIC. ANGLE	1:1

LAND NO. N25RC1 TITLE: WATER SYSTEM INSTL

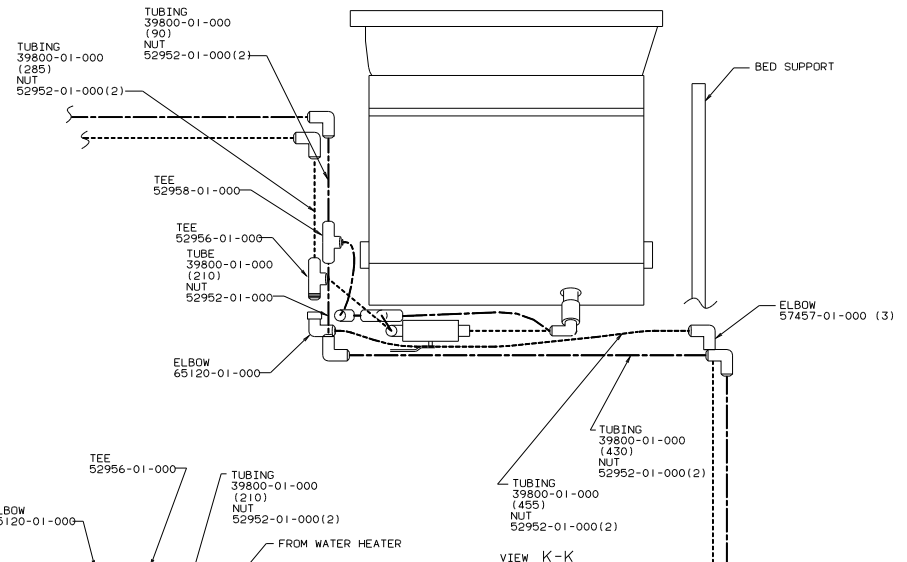
DWG NO. 101728

REF: 96804

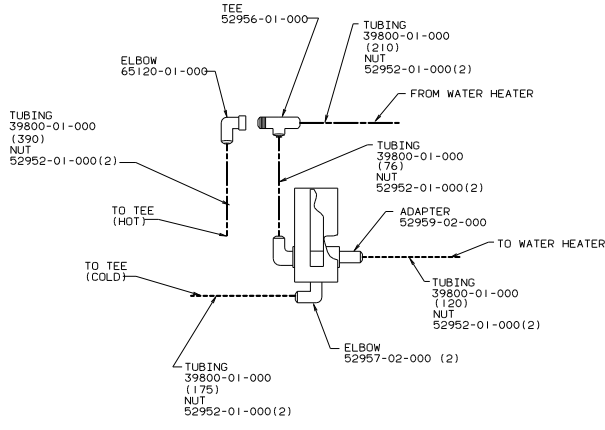
LUMBER  
942-DD-418  
SCREW  
667-10-32B (2)



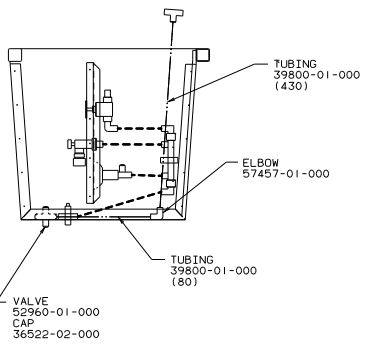
VIEW H-H



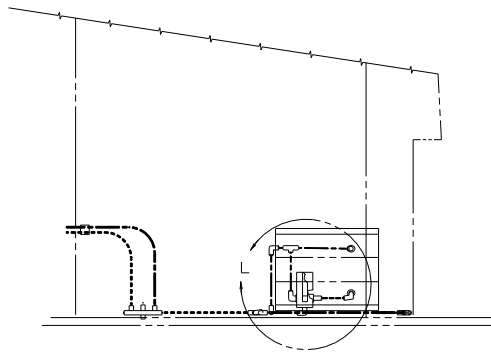
VIEW K-K



VIEW L-L



VIEW J-J



BED SUPPORT

ELBOW 57457-01-000 (3)

TUBING 39800-01-000 (430)

NUT 52952-01-000 (2)

TUBING 39800-01-000 (455)

NUT 52952-01-000 (2)

CLIP REF

WATER HEATER BYPASS OPTION

91 W/ICN25RC

TITLE		WATER SYSTEM INSTL	
30 NET SCALE DRAWING	SIZE	1/4"	11x17
SHEET 2 OF 2	DATE		101728