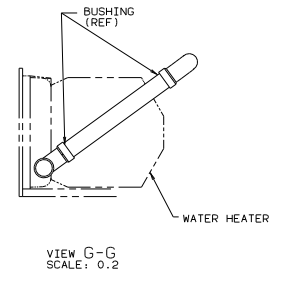
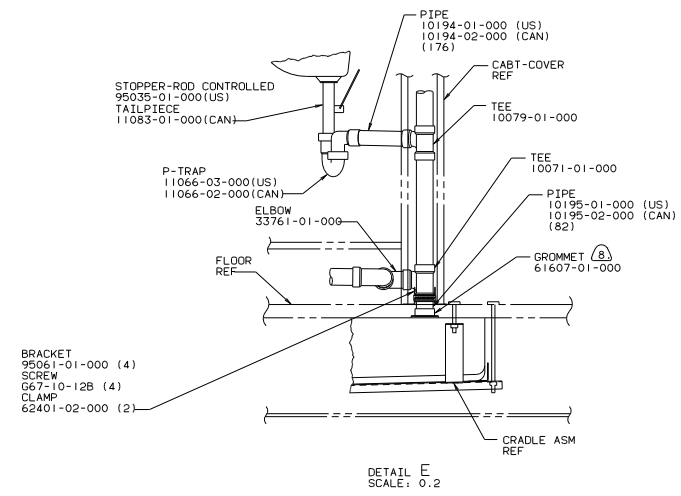
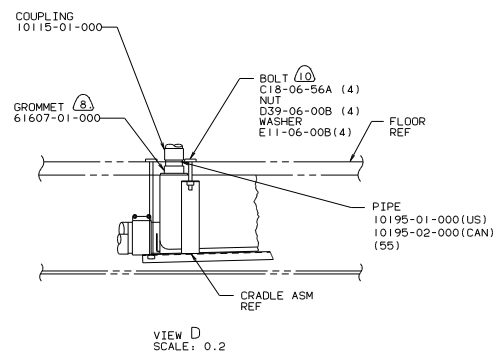
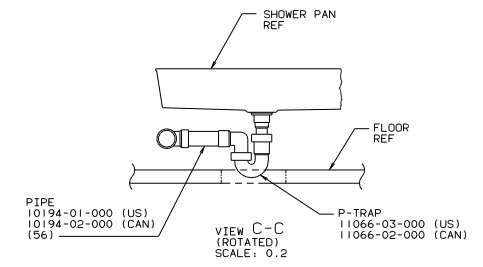
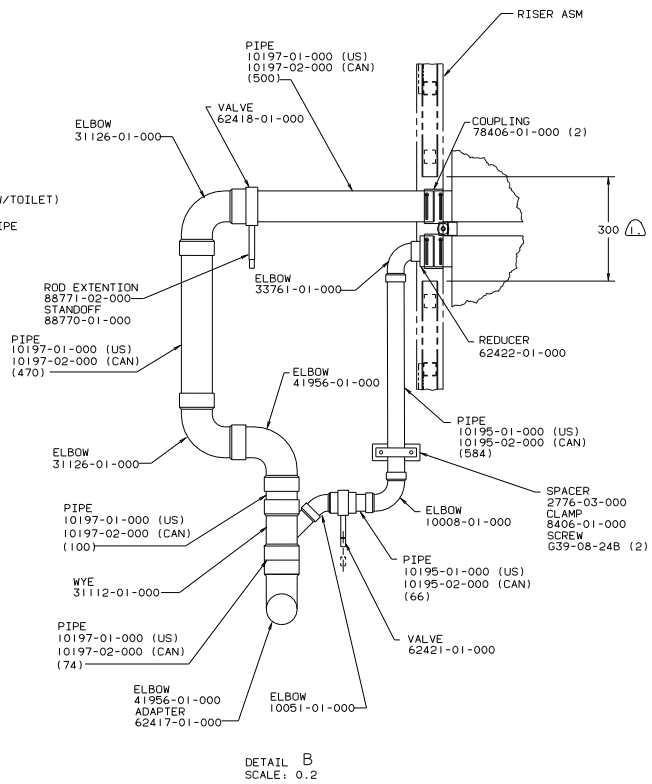
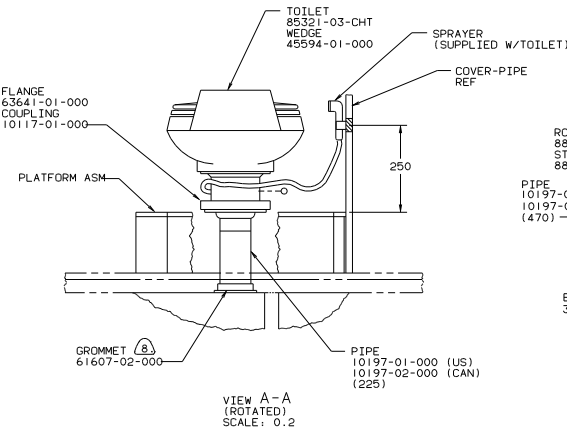


DETAIL F (CAN)  
SCALE: 0.2

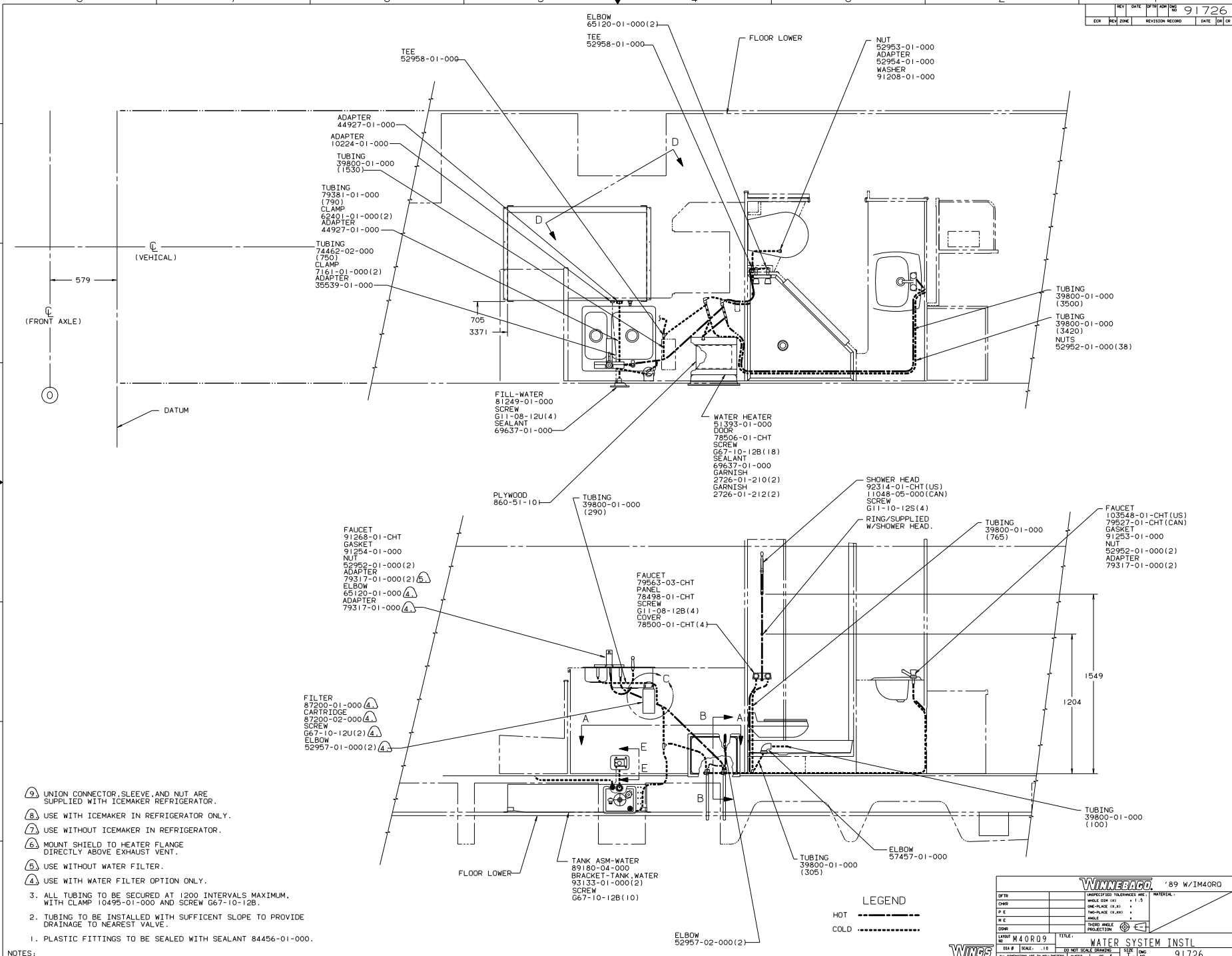
- 1. FOAM TO BE SANDWICHED BETWEEN TANKS TO PROVIDE SPACING.
- 2. BOLT HEADS TO BE UNDER CARPET AND PAD.
- 3. VENT PIPE MUST PROJECT 51 MM MIN AND 63.5 MM MAX ABOVE ROOF FOR PROPER FIT AND FUNCTION.
- 4. SEE DWG 61607-01-000 FOR INSTL OF GROMMET.
- 5. SEAL ALL AROUND SHOWER WITH SILICONE 78474-01-CHT.
- 6. FOR CAN UNITS EACH HOLDING TANK SHALL HAVE A CSA APPROVAL STAMPED NEAR THE IAPMO APPROVAL.
- 7. EXPOSED PIPE ABOVE ROOF TO BE PAINTED WITH 37163-01-000.
- 8. ALL EXTERIOR OPENINGS AROUND PIPE TO BE SEALED WITH 69637-01-000.
- 9. ALL PIPE AND FITTINGS TO BE ASSEMBLED WITH SOLVENT 4020-01-000.
- 10. SLOPE OF TRAP ARM MUST BE 6 PER 300.
- 11. SLOPE OF HORIZONTAL PIPING TO BE 6 PER 305 MIN.

NOTES:

|                                   |                             |
|-----------------------------------|-----------------------------|
| WINNEBAGO '89 W/IJM40RQ           |                             |
| DATE                              | UNSPECIFIED TOLERANCES ARE: |
| CHG                               | WHOLE DIM 101 ± 1.5         |
| FTE                               | ONE-PLACE 12.51 ±           |
| MFC                               | TWO-PLACE 12.51 ±           |
| ANG                               | ANGLE                       |
| THRO                              | THIRD ANGLE PROJECTION      |
| DWG NO                            | 40RQ9                       |
| TITLE                             | DRAINAGE SYSTEM INSTL       |
| DATE                              | 01A # SCALE: 0.1            |
| NO                                | DO NOT SCALE DRAWING        |
| ALL DIMENSIONS ARE IN MILLIMETERS |                             |
| SHEET                             | 1 OF 2                      |
| FILE NO                           | 91321                       |



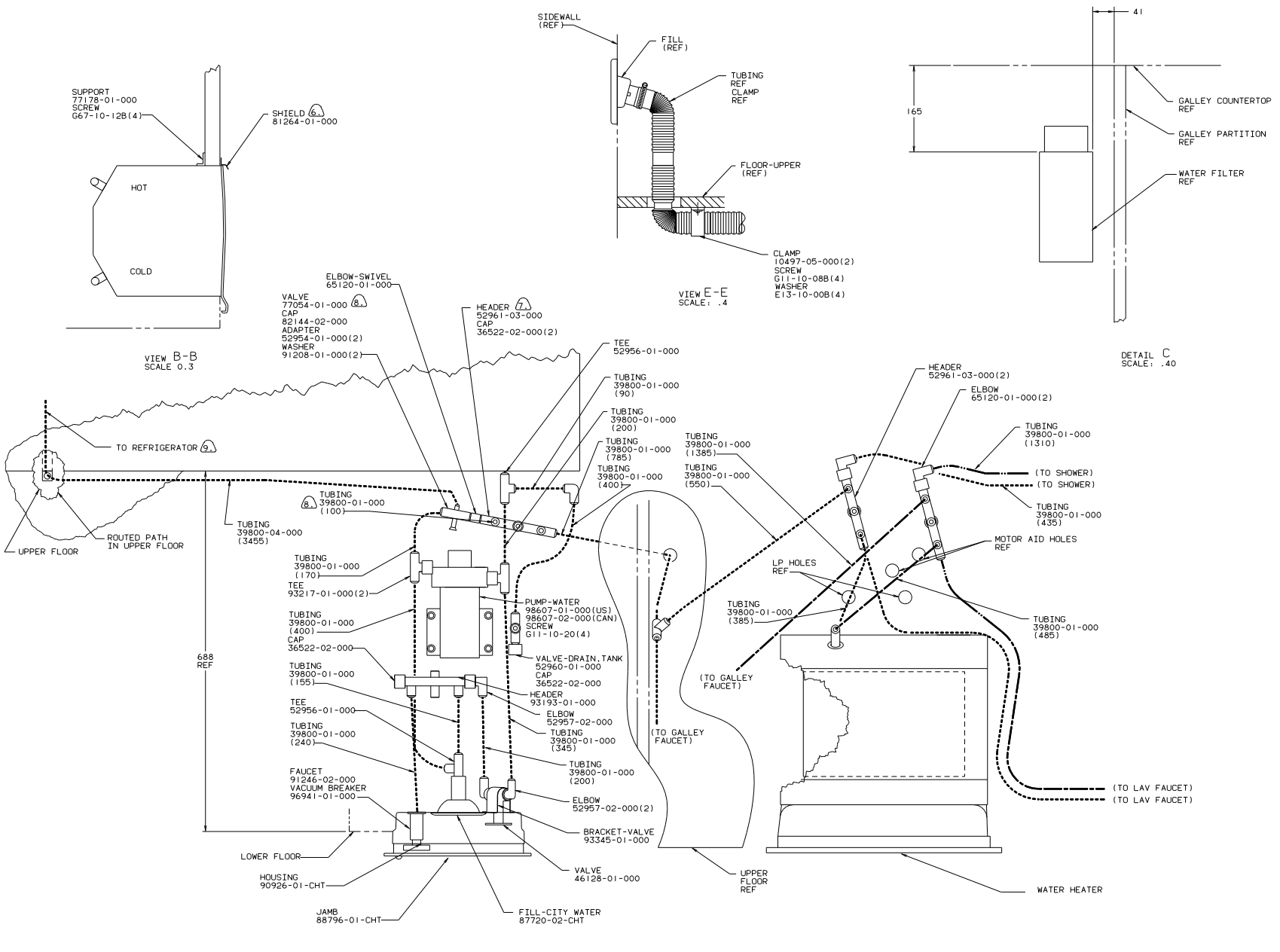
NOTES:  
1 TOP CHANNEL MAY BE REMOVED DURING INSTALLATION.



- ④ UNION CONNECTOR, SLEEVE AND NUT ARE SUPPLIED WITH ICEMAKER REFRIGERATOR.
  - ⑤ USE WITH ICEMAKER IN REFRIGERATOR ONLY.
  - ⑦ USE WITHOUT ICEMAKER IN REFRIGERATOR.
  - ⑥ MOUNT SHIELD TO HEATER FLANGE DIRECTLY ABOVE EXHAUST VENT.
  - ③ USE WITHOUT WATER FILTER.
  - ④ USE WITH WATER FILTER OPTION ONLY.
3. ALL TUBING TO BE SECURED AT 1200 INTERVALS MAXIMUM. WITH CLAMP 10495-01-000 AND SCREW G67-10-12B.
  2. TUBING TO BE INSTALLED WITH SUFFICIENT SLOPE TO PROVIDE DRAINAGE TO NEAREST VALVE.
  1. PLASTIC FITTINGS TO BE SEALED WITH SEALANT 84456-01-000.

LEGEND  
 HOT —————  
 COLD - - - - -

|                                   |                             |
|-----------------------------------|-----------------------------|
| WINNEMAGO '89 W/IM40R0            |                             |
| DATE                              | UNSPECIFIED TOLERANCES ARE: |
| DRAWN                             | WHOLE DIM (IN) ± 1:15       |
| CHECKED                           | ONE-PLACE (IN.XI) ±         |
| SCALE                             | TWO-PLACE (IN.XXX) ±        |
| FILE                              | ANGLE                       |
| COLOR                             | THIRD ANGLE PERSPECTIVE     |
| LANOIT NO. M40R09                 | TITLE: WATER SYSTEM INSTL   |
| DIA # SCALE: 1:10                 | DO NOT SCALE DRAWING        |
| ALL DIMENSIONS ARE IN MILLIMETERS | SHEET 1 OF 4                |
|                                   | 91726                       |



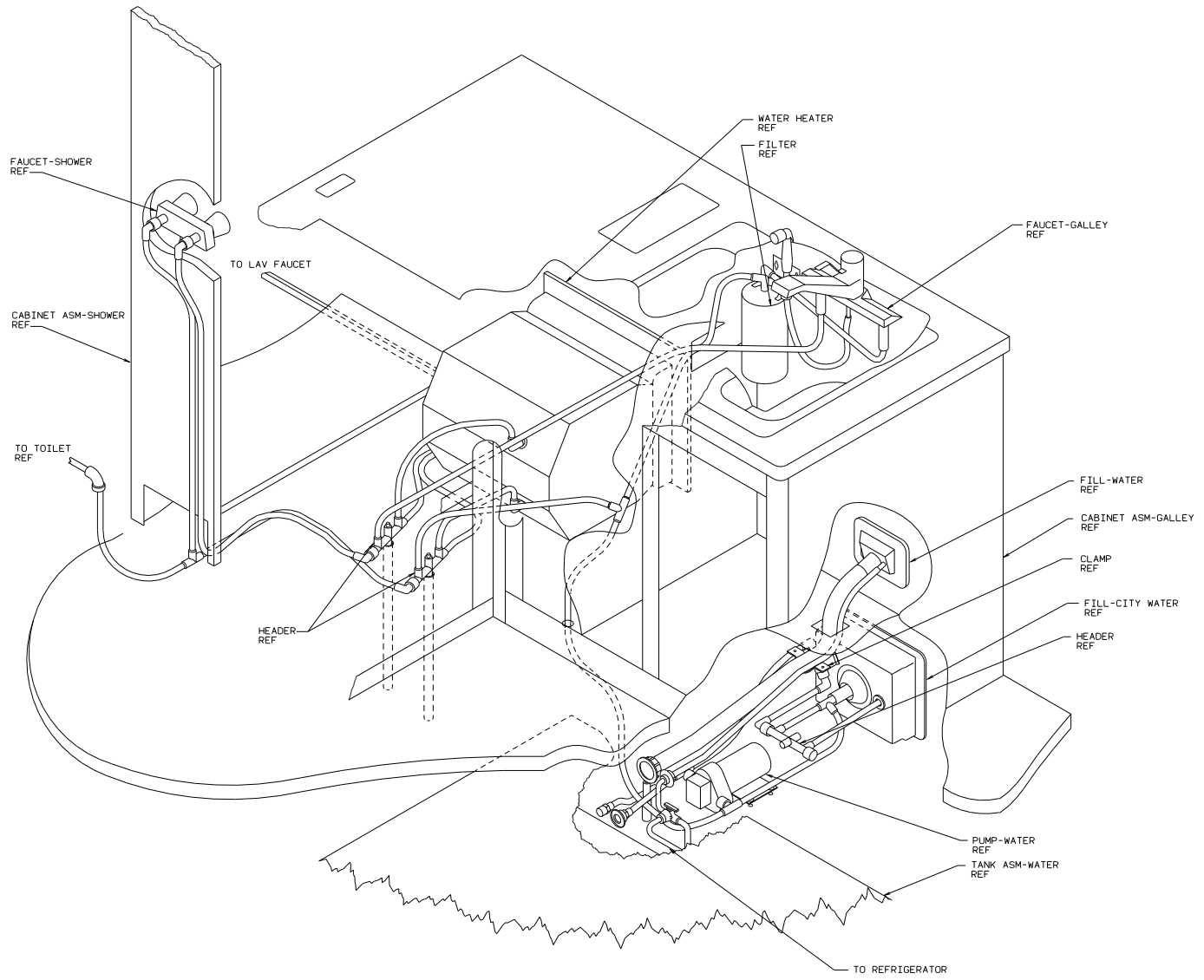
VIEW A-A  
SCALE 0.4

VIEW B-B  
SCALE 0.3

VIEW E-E  
SCALE: .4

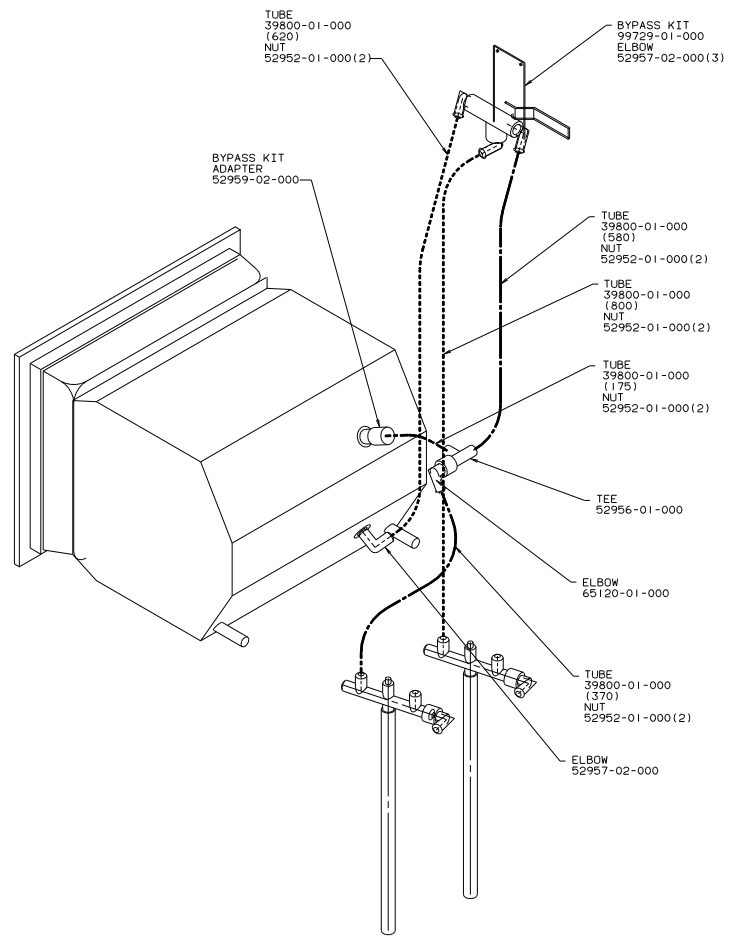
DETAIL C  
SCALE: .40

|                           |            |
|---------------------------|------------|
| TITLE: WATER SYSTEM INSTL |            |
| 30 MIL SCALE DRAWING      | SIZE 11x17 |
| SHEET 2 OF 4              | DATE 1/16  |
| 91726                     |            |



VIEW D-D  
SCALE: .30

|                           |        |
|---------------------------|--------|
| TITLE: WATER SYSTEM INSTL |        |
| 30 NET SCALE DRAWING      | DATE   |
| SHEET 3 OF 4              | 1.1.11 |
|                           | 91726  |



WITH BYPASS VALVE

|                           |          |
|---------------------------|----------|
| TITLE: WATER SYSTEM INSTL |          |
| 30 MIL SCALE DRAWING      | DATE     |
| SHEET 4 of 4              | NO 91726 |