

- ⑫ PREDRILL 5.0 DIAMETER HOLE BEFORE INSERTING SCREW.
- ⑪ DO NOT USE WITH WASHER AND DRYER.
- ⑩ USE WITH WASHER AND DRYER.
- ⑨ VENT PIPE MUST PROJECT 51 MIN AND 63 MAX ABOVE ROOF FOR PROPER FIT AND FUNCTION.
- ⑧ SEE DWG 61607-01-000 FOR INSTL OF GROMMET.

7. SEAL ALL AROUND SHOWER WITH SILICONE 78474-01-CHT.
6. FOR CANADIAN UNITS EACH HOLDING TANK SHALL HAVE A CSA APPROVAL STAMPED NEAR THE IAPMO APPROVAL.
5. EXPOSED PIPE ABOVE ROOF TO BE PAINTED WITH 37163-01-000.
4. ALL EXTERIOR OPENINGS AROUND PIPE TO BE SEALED WITH 69637-01-000.
3. ALL PIPE AND FITTINGS TO BE ASSEMBLED WITH SOLVENT 4020-01-000.
2. SLOPE OF TRAP ARM MUST BE 6 PER 305.
1. SLOPE OF HORIZONTAL PIPING TO BE 6 PER 305 MIN.

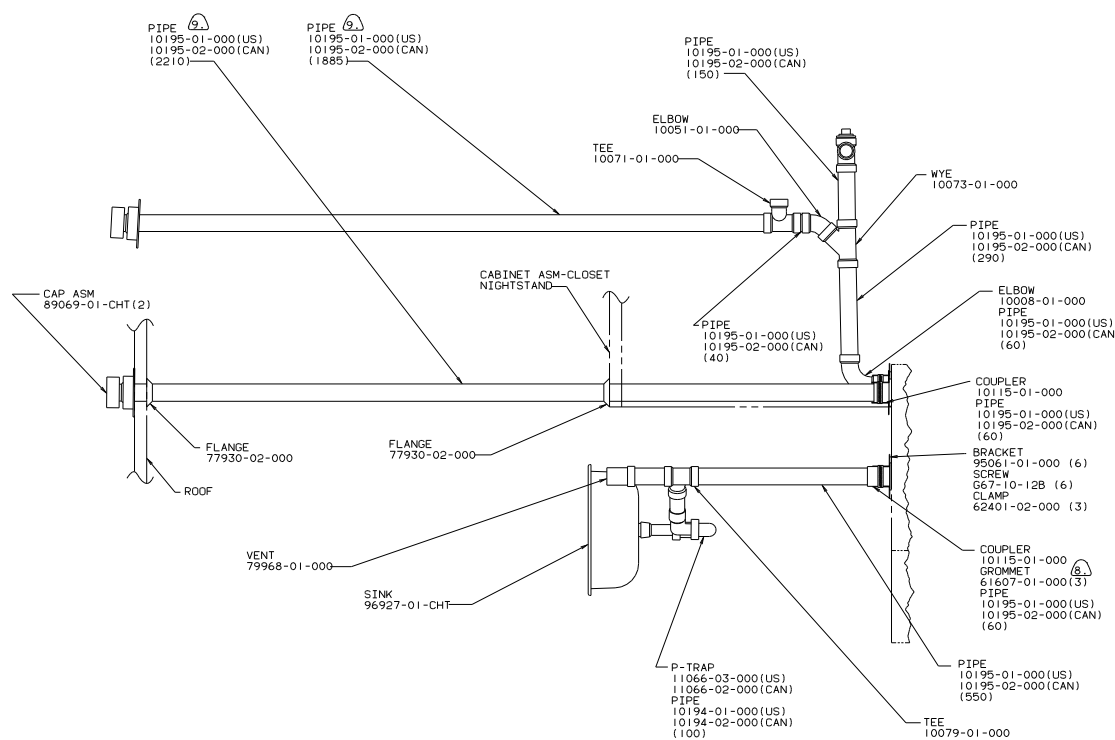
NOTES:

VIEW C-C

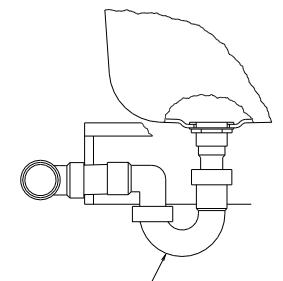
VIEW B-B

DETAIL A ⑩

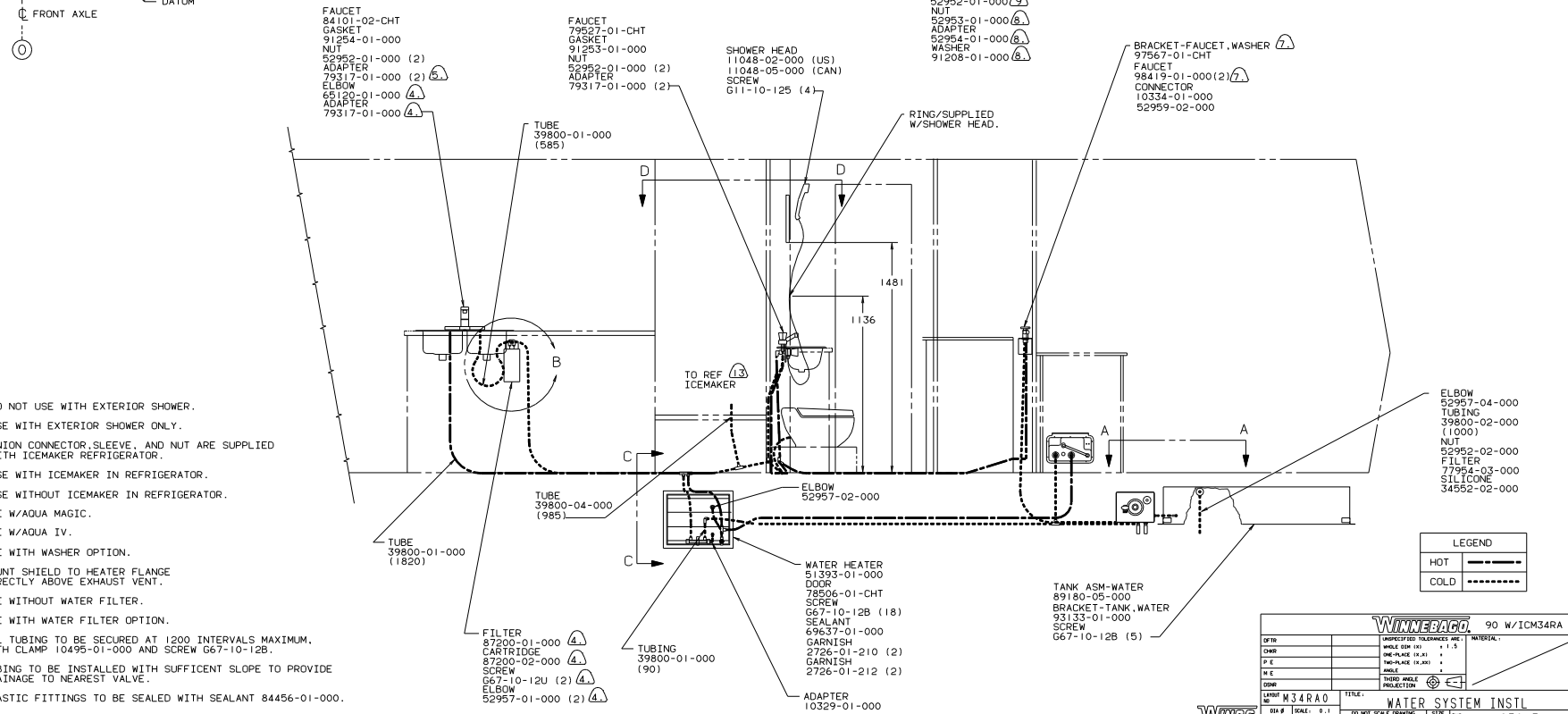
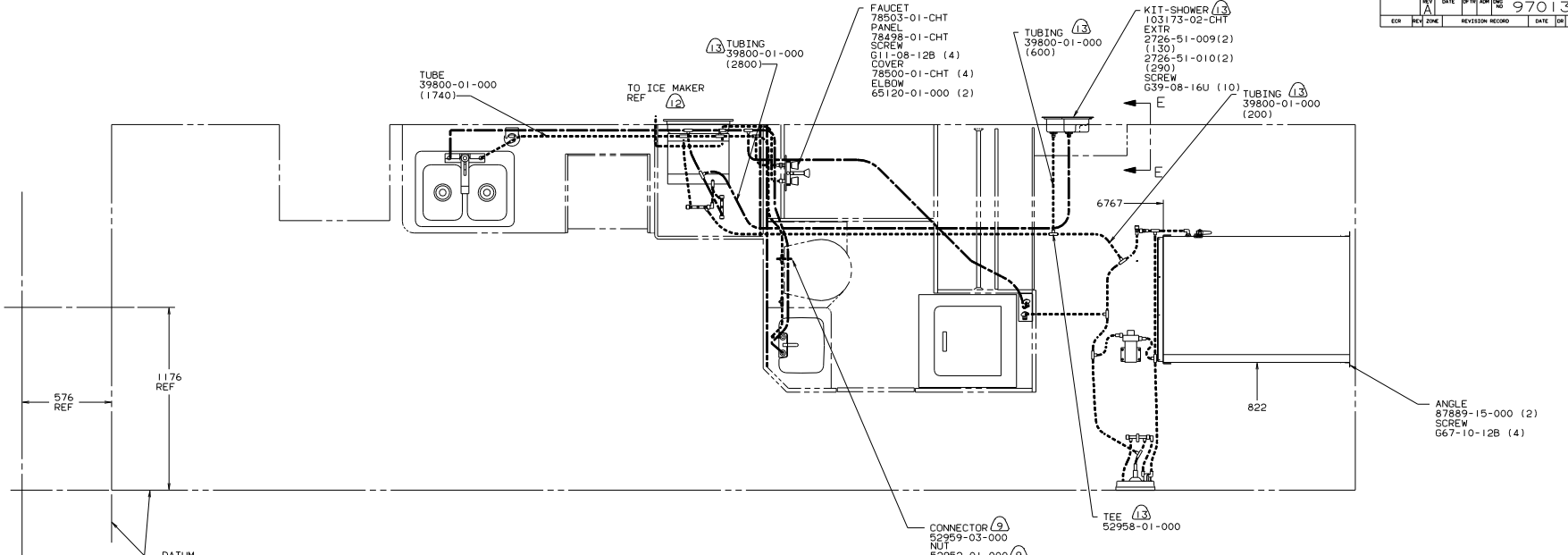
WINNERAGO 90 W/1CM34RA	
DPTN UNDESIGNED TOLERANCES ARE: HOLE DIA (R) ± 1.15 CHAM ONE-PLACE (R.21) ± FILE TWO-PLACE (R.200) ± FILE ANGLE CORR THRU ANGLE PROJECTION	1 2 3 4 5 6 7 8 9 10 11 12 13 14 15 16 17 18 19 20 21 22 23 24 25 26 27 28 29 30 31 32 33 34 35 36 37 38 39 40 41 42 43 44 45 46 47 48 49 50 51 52 53 54 55 56 57 58 59 60 61 62 63 64 65 66 67 68 69 70 71 72 73 74 75 76 77 78 79 80 81 82 83 84 85 86 87 88 89 90 91 92 93 94 95 96 97 98 99 100
LAND NO: M34RA0 DIA # SCALE: 1/4" = 1'-0" ALL DIMENSIONS ARE IN MILLIMETERS	TITLE: DRAINAGE SYSTEM INSTL SHEET 1 OF 2 DATE: 1/1/00 DRAWN BY: J.E.



VIEW D-D
SCALE: 0.2



VIEW E-E
SCALE: 0.4



- ④ DO NOT USE WITH EXTERIOR SHOWER.
- ③ USE WITH EXTERIOR SHOWER ONLY.
- ② UNION CONNECTOR, SLEEVE, AND NUT ARE SUPPLIED WITH ICEMAKER REFRIGERATOR.
- ① USE WITH ICEMAKER IN REFRIGERATOR.
- ⑩ USE WITHOUT ICEMAKER IN REFRIGERATOR.
- ⑨ USE W/AQUA MAGIC.
- ⑧ USE W/AQUA IV.
- ⑦ USE WITH WASHER OPTION.
- ⑥ MOUNT SHIELD TO HEATER FLANGE DIRECTLY ABOVE EXHAUST VENT.
- ⑤ USE WITHOUT WATER FILTER.
- ④ USE WITH WATER FILTER OPTION.

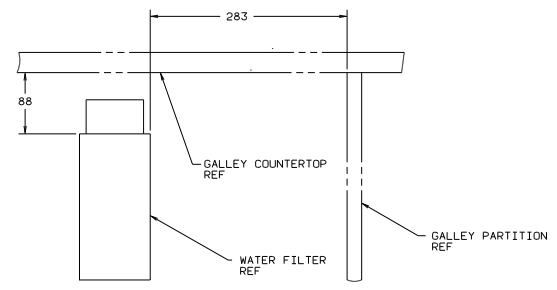
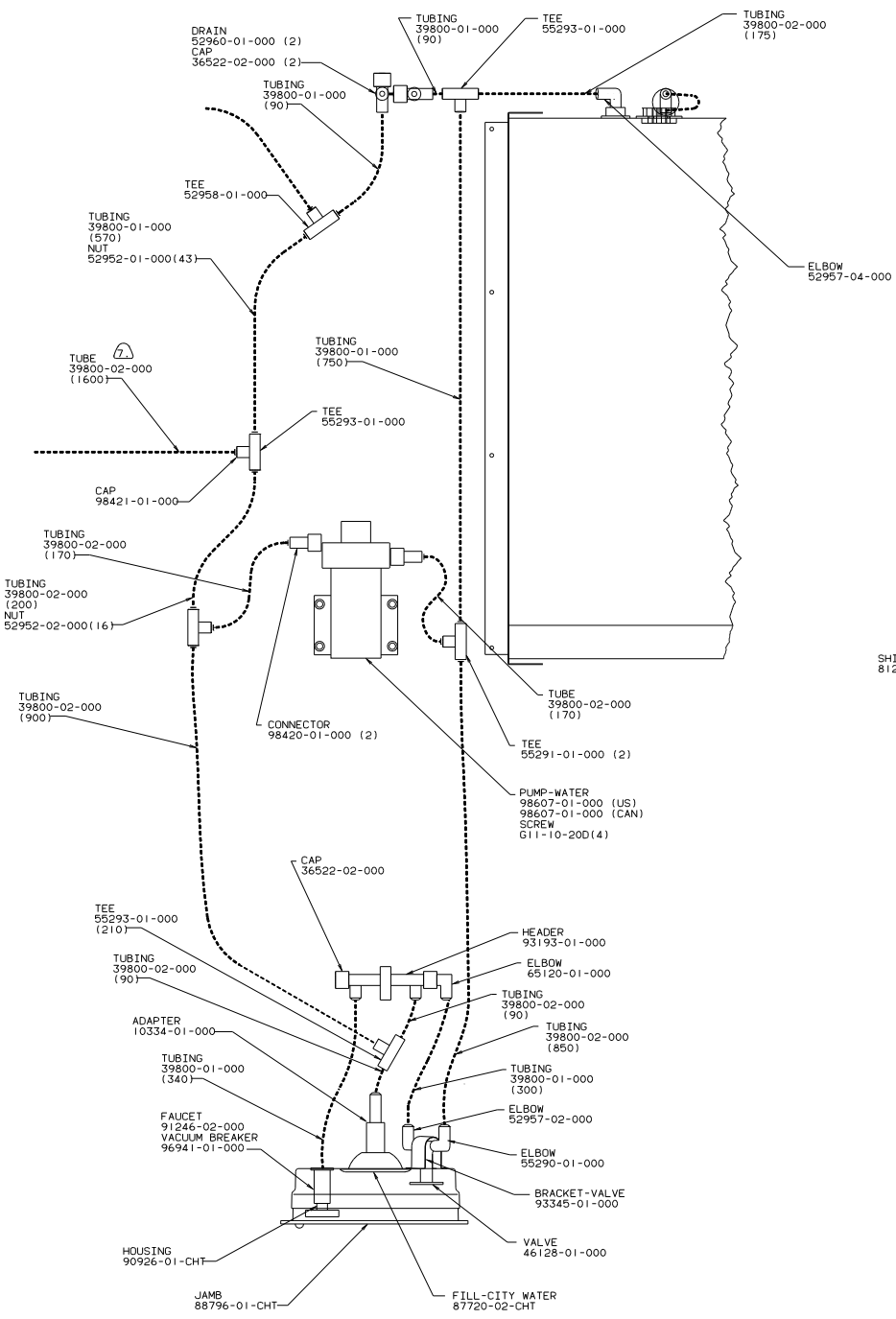
3. ALL TUBING TO BE SECURED AT 1200 INTERVALS MAXIMUM. WITH CLAMP 10495-01-000 AND SCREW G67-10-12B.
2. TUBING TO BE INSTALLED WITH SUFFICIENT SLOPE TO PROVIDE DRAINAGE TO NEAREST VALVE.
1. PLASTIC FITTINGS TO BE SEALED WITH SEALANT 84456-01-000.

LEGEND	
HOT	—————
COLD	- - - - -

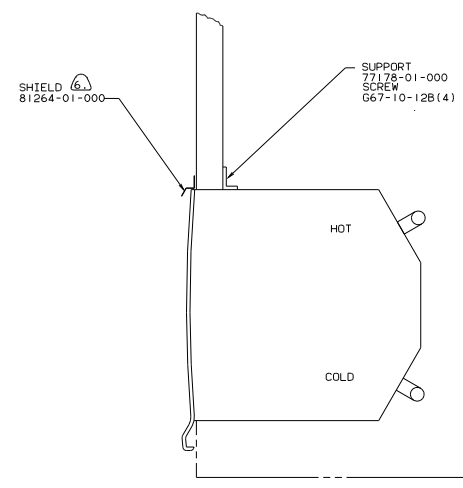
WINNERAGO 90 W/1CM34RA

DATE	UNSPECIFIED TOLERANCES ARE:	MATERIAL
CHG#	WHOLE DIM (IN)	1:15
REV	ONE-PLACE (IN, IN)	
DATE	TWO-PLACE (IN, IN)	
DATE	THREE-PLACE (IN, IN)	
DATE	FOUR-PLACE (IN, IN)	
DATE	FIVE-PLACE (IN, IN)	
DATE	SIX-PLACE (IN, IN)	
DATE	SEVEN-PLACE (IN, IN)	
DATE	EIGHT-PLACE (IN, IN)	
DATE	NINE-PLACE (IN, IN)	
DATE	TEN-PLACE (IN, IN)	
DATE	ELEVEN-PLACE (IN, IN)	
DATE	TWELVE-PLACE (IN, IN)	

LAN# M34RA0 TITLE: WATER SYSTEM INSTL
 DIA # SCALE: 0:1 300 NET SCALE DRAWING SIZE 11.6
 ALL DIMENSIONS ARE IN MILLIMETERS SHEET 1 OF 3 97013



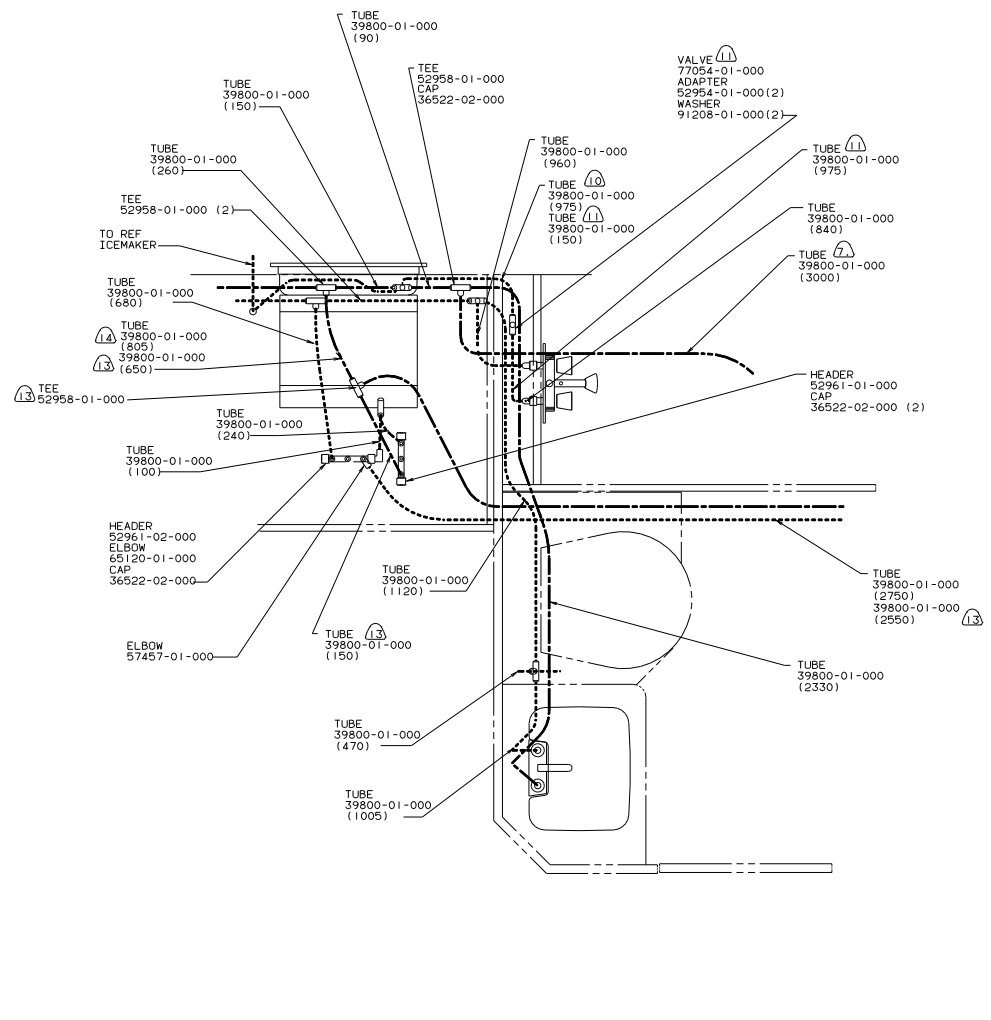
DETAIL B
SCALE: 0.4



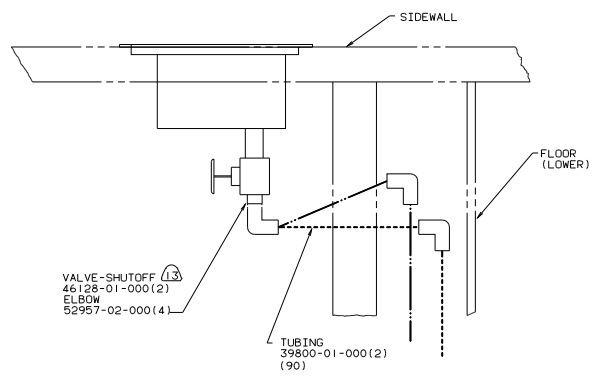
VIEW C-C
SCALE 0.3

VIEW A-A
SCALE: 0.4

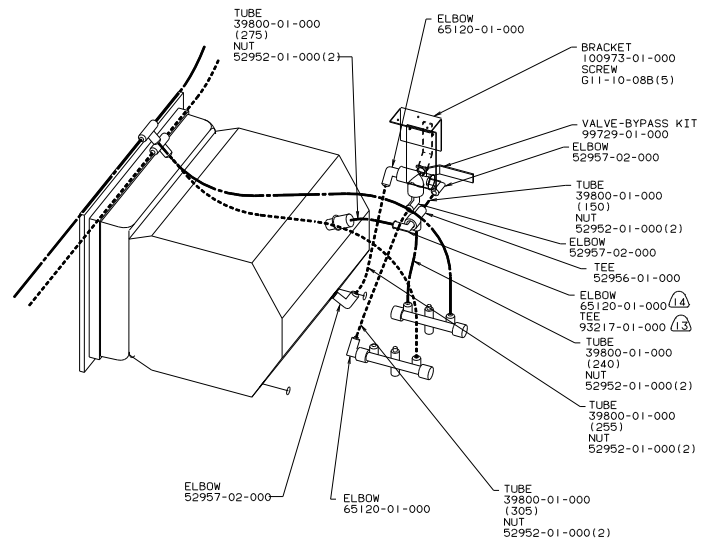
DATE	TITLE	DRW NO
30 JUN 2009	WATER SYSTEM INSTL	
SHEET 2 OF 3	REV 1	97013



VIEW D-D
SCALE: 0.2



VIEW E-E



W/BYPASS VALVE