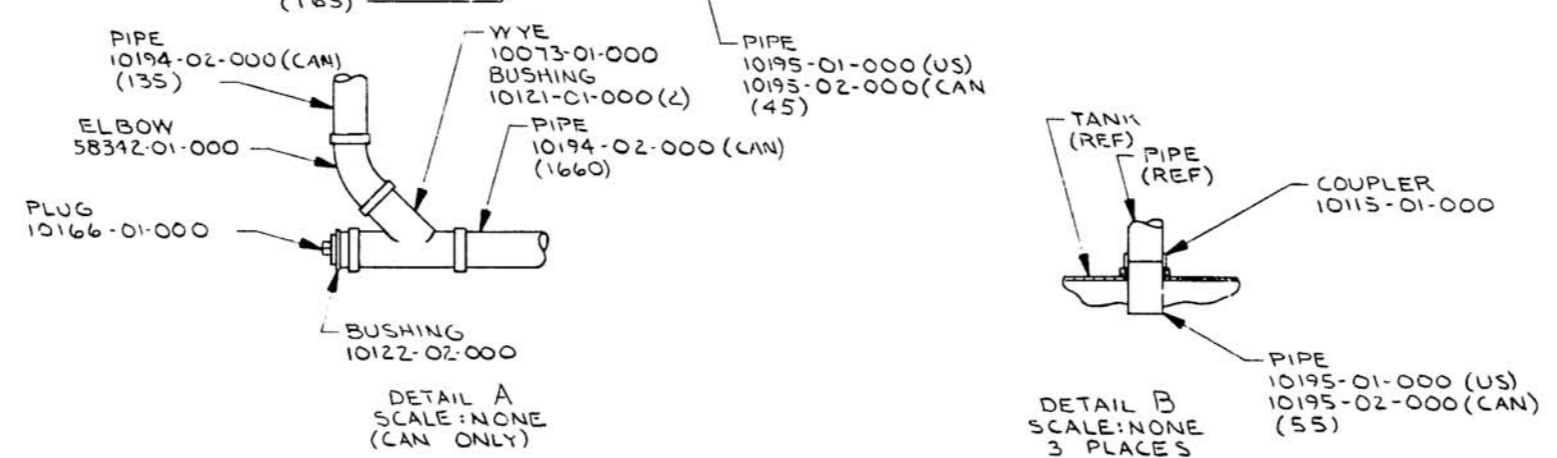
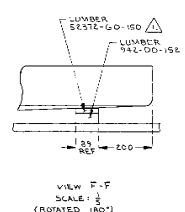
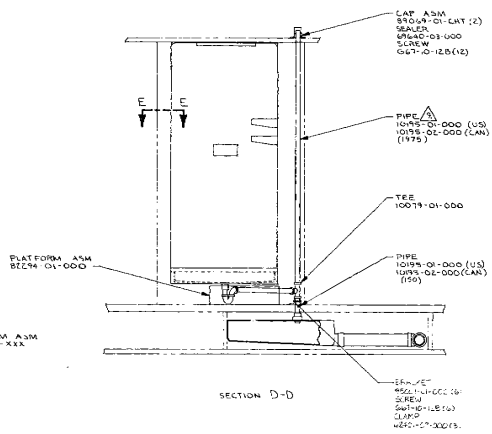
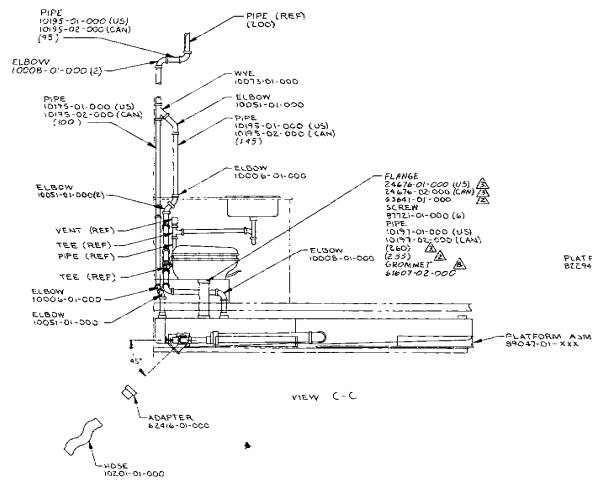
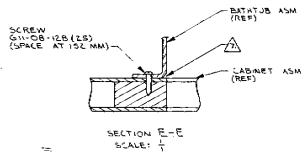
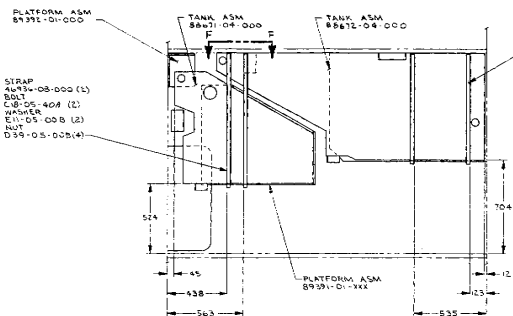


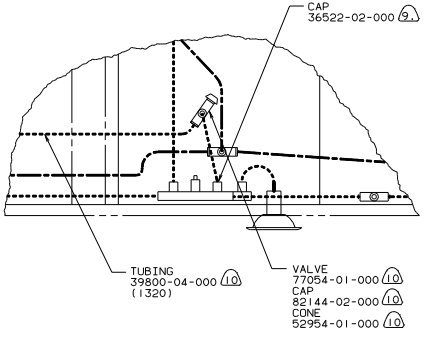
- NOTES:
1. SLOPE OF HORIZONTAL PIPING TO BE 6 PER 300 MIN.
 2. SLOPE OF TRAP ARM MUST BE 6 PER 300.
 3. ALL PIPE AND FITTINGS TO BE ASSEMBLED WITH SOLVENT 4020-01-000.
 4. ALL EXTERIOR OPENINGS AROUND PIPE TO BE SEALED WITH 69637-01-000.
 5. EXPOSED PIPE ABOVE ROOF TO BE PAINTED WITH 37163-01-000.
 6. FOR CANADIAN UNITS EACH HOLDING TANK SHALL HAVE A CSA APPROVAL STAMPED NEAR THE IAPMO APPROVAL.
 7. SEAL ALL AROUND BATHTUB WITH SILICONE 78474-01-CHT.
 8. SEE DRAWING 61607-01-000 FOR INSTL OF GROMMET.
 9. VENT PIPE MUST PROJECT 51 MINIMUM AND 63 MAXIMUM ABOVE ROOF FOR PROPER FIT AND FUNCTION.
 10. CENTER STRAP ON DRAIN PIPE.



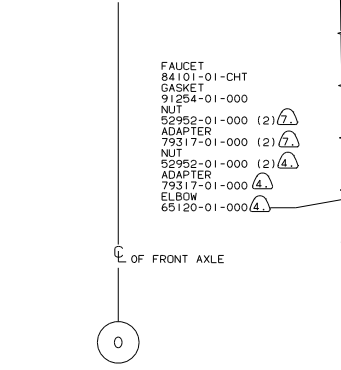
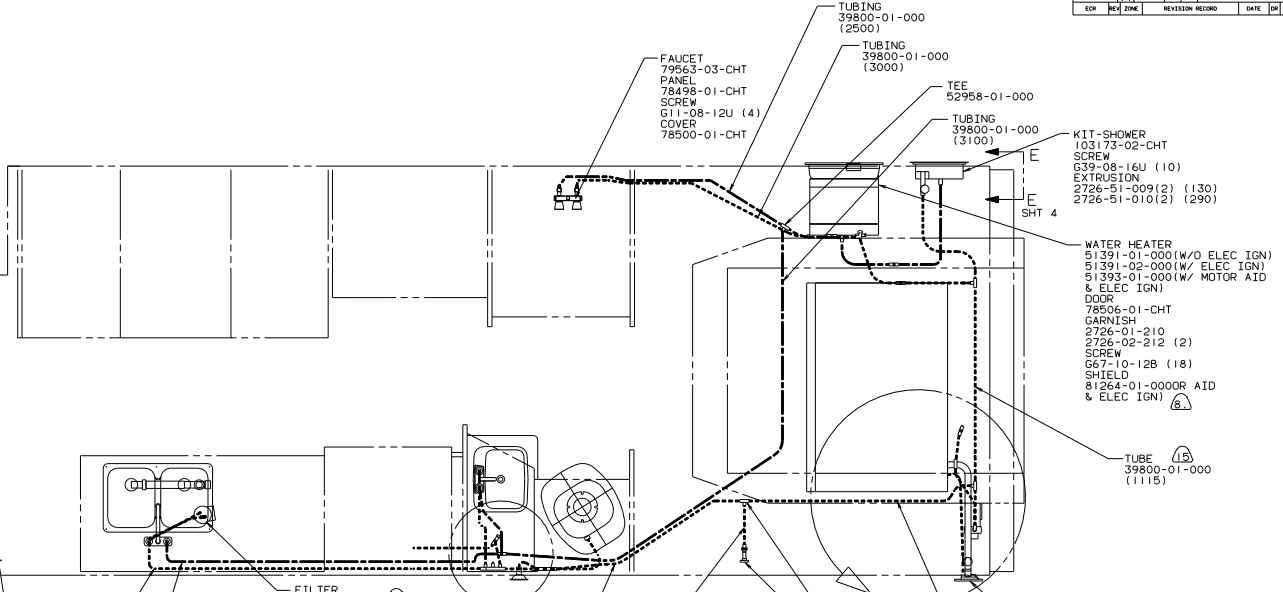
WINNEBAGO	
OFFER DATE	DATE
CHKR DATE	DATE
P.E. DATE	DATE
M.E. DATE	DATE
LAYOUT NO.	91WCM32RQ
ALL DIMENSIONS ARE IN MILLIMETERS	
UNSPECIFIED TOLERANCES ARE:	
WHOLE DIM (X1) ± .5	MATERIAL:
ONE-PLACES (X1) ± .2	
TWO-PLACES (X1) ± .1	
THIRD ANGLE PROJECTION	
TITLE: DRAINAGE SYSTEM INSTL	
DO NOT SCALE DRAWING	SIZE: E
SHEET 1 OF 2	NO: 102516
REF 97262	1



NOTE:
 △ USE W/O CHINA TOILET.
 △ USE WITH CHINA TOILET.
 △ FASTEN LUMBER TOGETHER WITH SCREW,
 G11-02-240 (2), BEFORE INSTL.



DETAIL D



- NOTES:
- 8 MOUNT SHIELD TO HEATER FLANGE DIRECTLY ABOVE EXHAUST VENT.
 - 7 USE WITHOUT WATER FILTER.
 - 6 USE WITH AQUA 4.
 - 5 USE WITH AQUA MAGIC.
 - 4 USE WITH WATER FILTER EXCHANGE ONLY.
 - 3 PLASTIC FITTINGS TO BE SEALED WITH SEALANT 84456-01-000.
 - 2 ALL TUBING TO BE SECURED EVERY 1220 MAXIMUM WITH CLAMP 10495-01-000 AND SCREW 667-10-12B.
 - 1 TUBING TO BE INSTALLED WITH SUFFICIENT SLOPE TO PROVIDE DRAINAGE TO NEAREST VALVE.

- 15 DO NOT USE WITH EXTERIOR SHOWER.
- 14 USE WITH EXTERIOR SHOWER.
- 13 WITH BY-PASS.
- 12 WITHOUT BY-PASS.
- 11 UNION CONNECTOR, SLEEVE & NUT ARE SUPPLIED WITH ICE MAKER REFRIGERATOR.
- 10 USE WITH ICE MAKER IN REFRIGERATOR ONLY.
- 9 USE WITHOUT ICE MAKER IN REFRIGERATOR.

- 6 TUBING 39800-01-000 (1600)
- 5 TUBING 39800-01-000 (550)
- 4 TUBING 39800-01-000 (1600)
- 3 TUBING 39800-01-000 (1600)
- 2 TUBING 39800-01-000 (1600)
- 1 TUBING 39800-01-000 (1600)

- WATER TANK 89180-02-000
- STRAP 46936-11-000 (2)
- BOLT C12-05-24A (4)
- WASHER E13-05-00B (4)
- NUT D39-05-00B (4)



WINNEDAGO 91 W/1CM32RD

UNSPECIFIED TOLERANCES ARE: MATERIAL

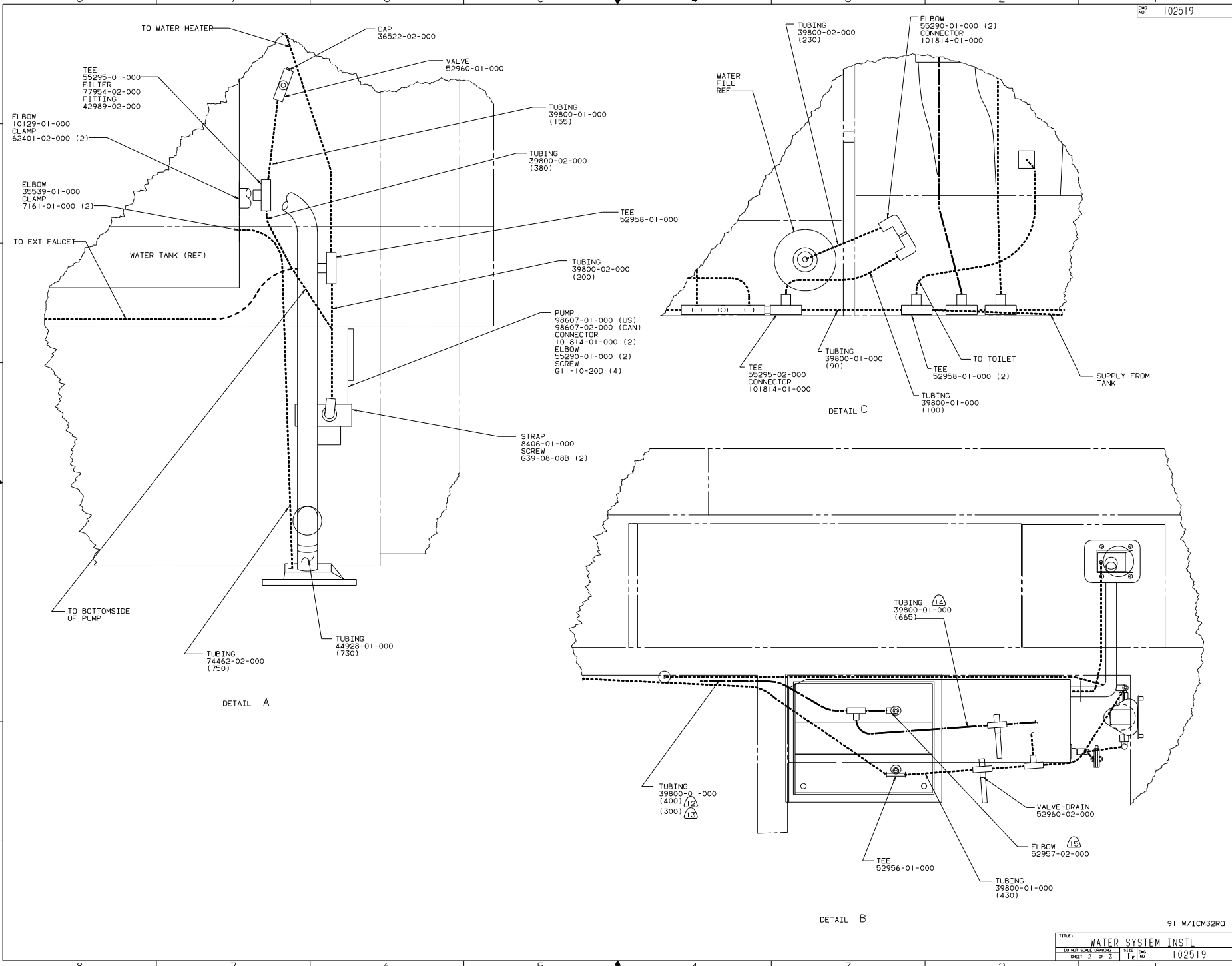
OPTN	WHOLE DIM (IN)	
CHRP	ONE-PLACE (IN)	
PLC	ONE-PLACE (IN)	
FILE	ANGLE	
CONR	TRUSS ANGLE	
	PROTECTOR	

LANHT M31R00 TITLE WATER SYSTEM INSTL

WINNEDAGO

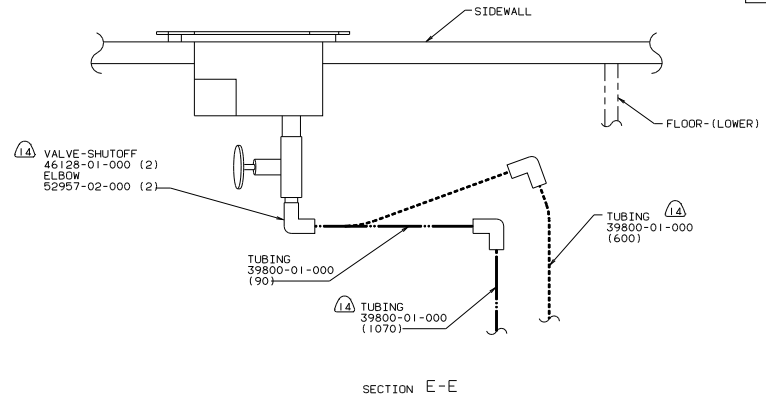
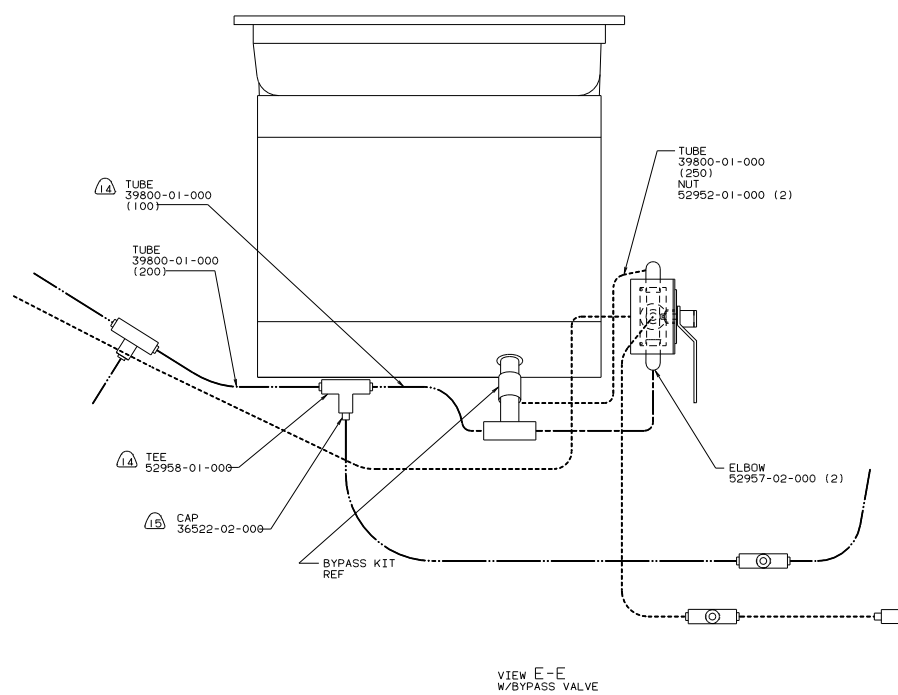
DATE SCALE: 0:1 30 NET SCALE DRAWING SIZE 10:1

ALL DIMENSIONS ARE IN MILLIMETERS SHEET 1 OF 3 102519



91 W/ICM32RQ

TITLE: WATER SYSTEM INSTL	
30 NET SCALE DRAWING	REV 1
SHEET 2 OF 3	DATE 102519



HOT WATER BYPASS OPTION

