

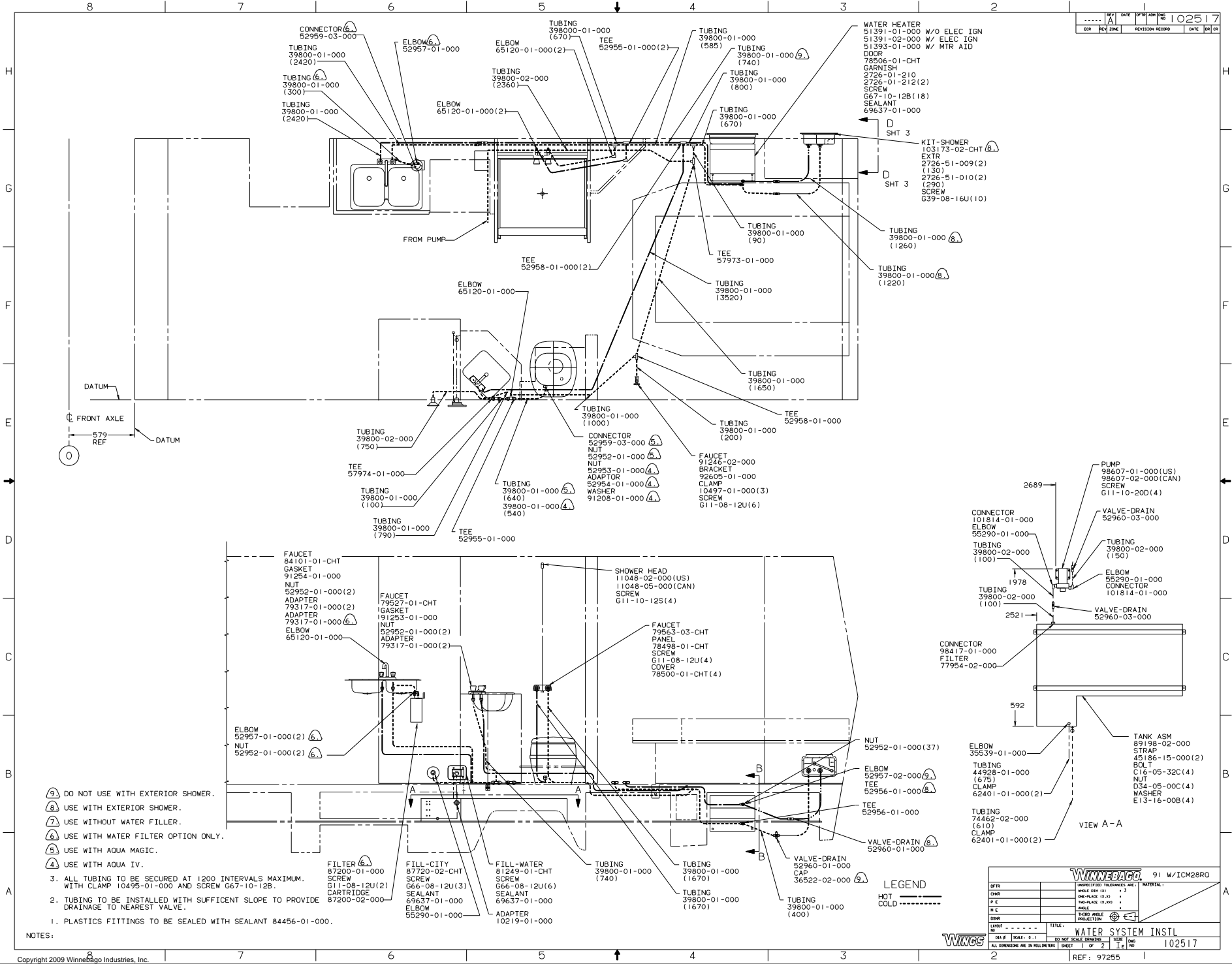
- 10 USE WITH DOUBLE BED WITH VANITY.
- 9 VENT PIPE MUST PROJECT 51 MIN AND 63.5 MAX ABOVE ROOF FOR PROPER FIT AND FUNCTION.
- 8 SEE DWG 61607-01-000 FOR INSTALLATION OF GROMMET.
- 7 SEAL ALL AROUND SHOWER WITH SILICONE 78474-01-CHT.
- 6 FOR CAN UNITS EACH HOLDING TANK SHALL HAVE A CSA APPROVAL STAMPED NEAR THE TAPMO APPROVAL.
- 5 EXPOSED PIPE ABOVE ROOF TO BE PAINTED 37163-01-000.
- 4 ALL EXTERIOR OPENINGS AROUND PIPE TO BE SEALED WITH 69637-01-000.
- 3 ALL PIPE AND FITTINGS TO BE ASSEMBLED WITH SOLVENT 4020-01-000.
- 2 SLOPE OF TRAP ARM MUST BE 6 PER 300.
- 1 SLOPE OF HORIZONTAL PIPING TO BE 6 PER 305 MIN.

WINNEDAGO 91 W/1CM28RD

UNSPECIFIED TOLERANCES ARE:	MATERIAL:
WHOLE DIM (IN)	± 0.1
ONE-PLACE (IN.XI)	± 0.01
TWO-PLACE (IN.XXX)	± 0.005
ANGLE	± 0.005
THRU-HOLE PROJECTION	± 0.005

LANO# 9M27RD TITLE: DRAINAGE SYSTEM INSTL
 DIA # SCALE: 0-1 300 MET SCALE DRAWING
 ALL DIMENSIONS ARE IN MILLIMETERS SHEET 1 OF 1

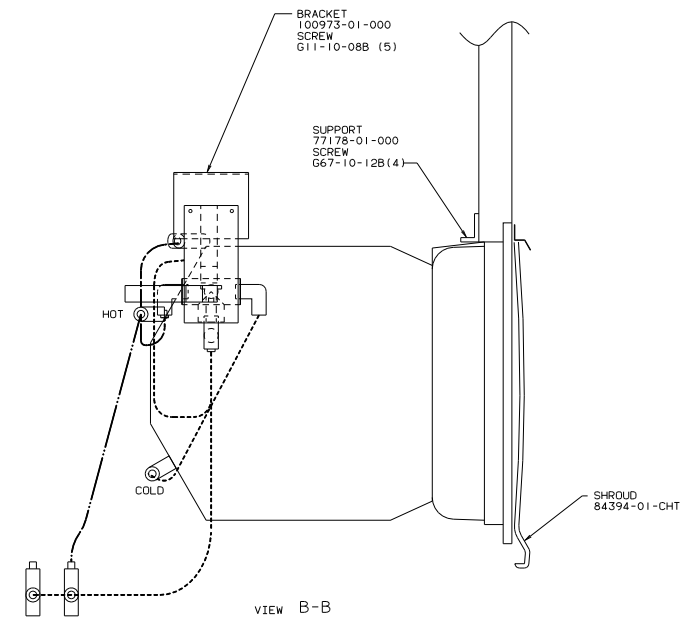
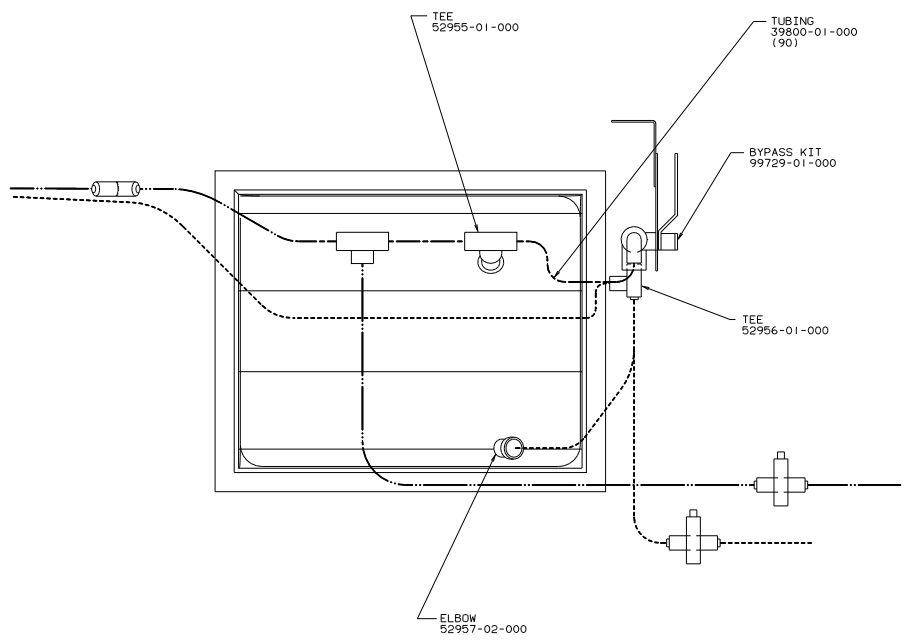
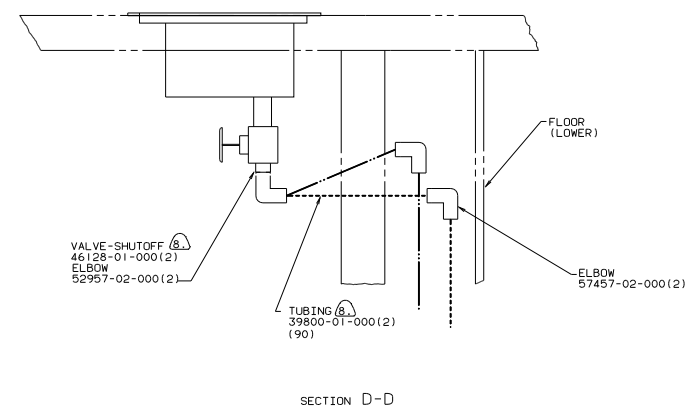
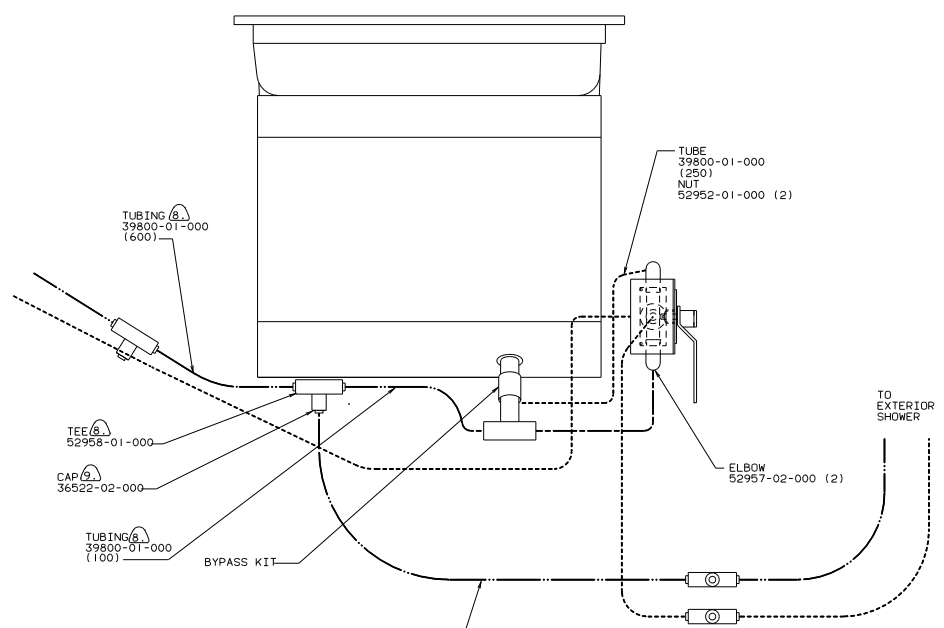
REF: 97261 101854



- ⑨ DO NOT USE WITH EXTERIOR SHOWER.
 - ⑧ USE WITH EXTERIOR SHOWER.
 - ⑦ USE WITHOUT WATER FILLER.
 - ⑥ USE WITH WATER FILLER OPTION ONLY.
 - ⑤ USE WITH AQUA MAGIC.
 - ④ USE WITH AQUA IV.
3. ALL TUBING TO BE SECURED AT 1200 INTERVALS MAXIMUM. WITH CLAMP 10495-01-000 AND SCREW G67-10-12B.
 2. TUBING TO BE INSTALLED WITH SUFFICIENT SLOPE TO PROVIDE DRAINAGE TO NEAREST VALVE.
 1. PLASTICS FITTINGS TO BE SEALED WITH SEALANT 84456-01-000.

LEGEND
 HOT
 COLD

WINNACCO		91 W/12M28RD
DATE	UNSPECIFIED TOLERANCES ARE:	MATERIAL:
DRW	FRAC (1/16)	FRAC (1/32)
DEC	ONE-PLACE (1/32)	ONE-PLACE (1/64)
CON	ANGLE	ANGLE
INDIC	INDIC	INDIC
PROJ	PROJ	PROJ
TITLE: WATER SYSTEM INSTL		
SCALE: 1/4" = 1'-0"	DO NOT SCALE DRAWING	SHEET 1 OF 2
REF: 97255	NO	102517



TITLE: WATER SYSTEM INSTL		91 W/ICM28RO	
30 NET SCALE DRAWING	DATE	REV	REV
SHEET 2 OF 2	1.1	1.1	1.1
		102517	