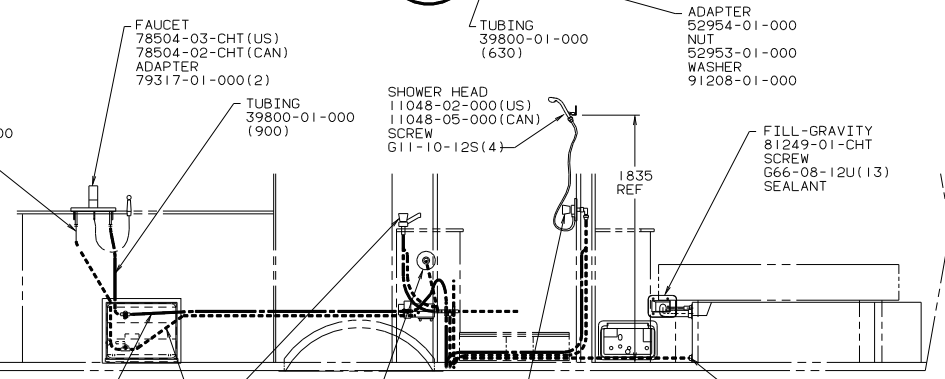
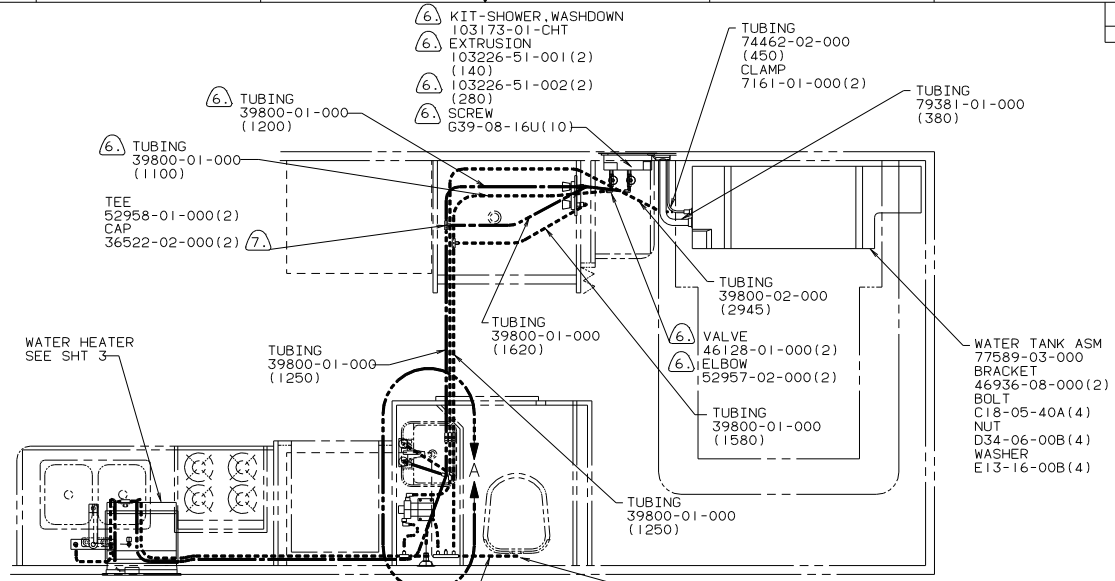


- Ⓐ VENT PIPE MUST PROJECT 51MM MIN TO 64MM MAX ABOVE ROOF FOR PROPER FIT AND FUNCTION.
- Ⓩ SEE DWG 61607-01-000 FOR INSTL OF GROMMET.
- Ⓓ SEAL ALL AROUND SHOWER PAN WITH SILICONE 78474-01-CHT.

5. FOR CANADIAN UNITS EACH HOLDING TANK SHALL HAVE A CSA APPROVAL STAMPED NEAR THE TAPMO APPROVAL.
4. ALL EXTERIOR OPENINGS AROUND PIPE TO BE SEALED WITH 69637-01-000.
3. ALL PIPE AND FITTINGS TO BE ASSEMBLED WITH SOLVENT 4020-01-000.
2. SLOPE OF TRAP MUST BE 6 PER 300 MINIMUM.
1. SLOPE OF HORIZONTAL PIPING TO BE 6 PER 300 MINIMUM.

SECTION A-A

Winnabago		91 W/IF30EU
DATE	SCALE	NO. OF SHEETS
BY	REV	ZONE
CHKD	DATE	NO.
P.E.	SCALE	NO.
M.E.	SCALE	NO.
DATE	SCALE	NO.
LAYOUT # 30EU1		TITLE #
DIA #		SCALE: NONE
ALL DIMENSIONS ARE IN MILLIMETERS		SHEET 1 OF 1
WINGS		100343



7. NOT REQUIRED WITH EXTERIOR SHOWER.
6. REQUIRED WITH EXTERIOR SHOWER.
5. USE WITHOUT BYPASS.
4. MOUNT SHIELD TO HEATER FLANGE ABOVE EXHAUST VENT.
3. ALL TUBING TO BE SECURED AT 1219 SPACING MAXIMUM WITH CLAMP 10495-01-000 AND SCREW G67-10-12B.
2. PLASTIC FITTINGS TO BE SEALED WITH SEALANT 84456-01-000.
1. TUBING TO BE INSTALLED WITH SUFFICIENT SLOPE TO PROVIDE DRAINAGE TO NEAREST VALVE.

- FAUCET
79527-03-CHT
GASKET
91253-01-000
ADAPTER
79317-01-000 (2)
- TUBING
39800-01-000
(1520)
- NUT
52952-01-000 (38)
- FILL-CITY
87720-02-CHT
SCREW
G66-08-12U (3)
SEALANT
55290-01-000
- FAUCET
79563-03-CHT
PANEL
78498-01-CHT
SCREW
G11-08-12B (4)
COVER
78500-01-CHT (4)
ELBOW
65120-01-000 (2)

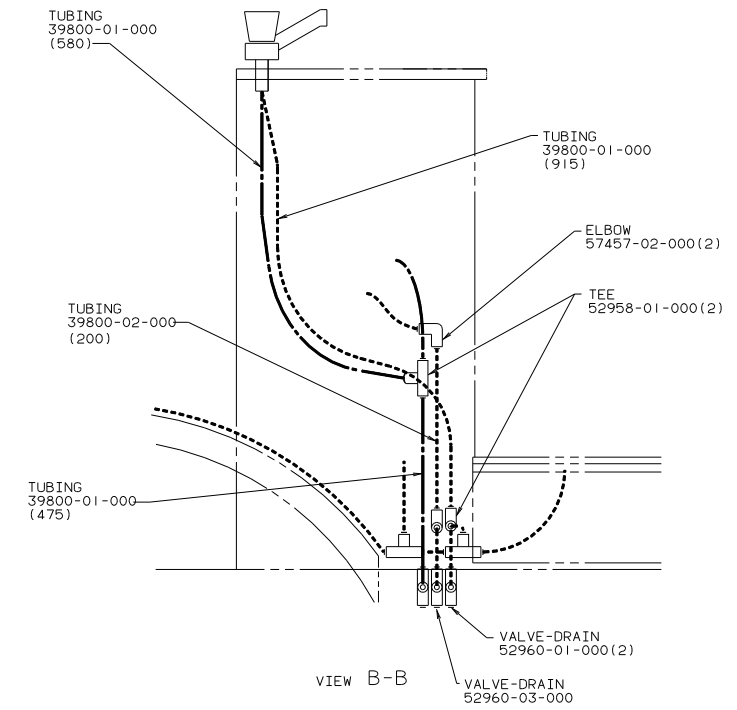
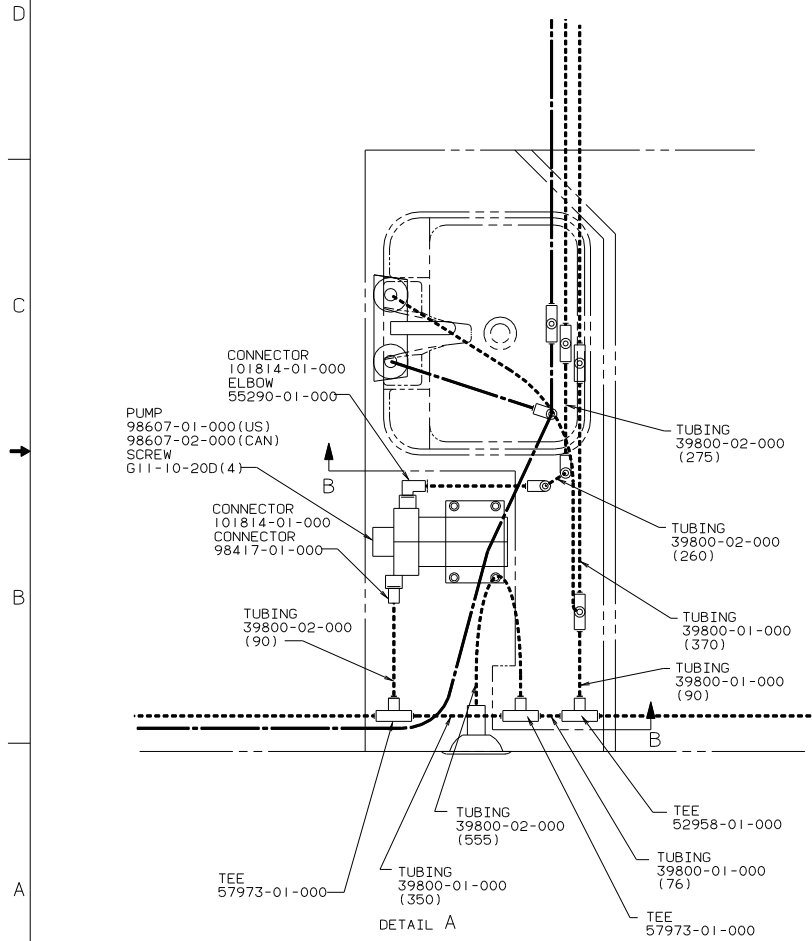
LEGEND	
—	HOT LINE
- - - - -	COLD LINE

WINNEBAGO 91 W/ICF30EU

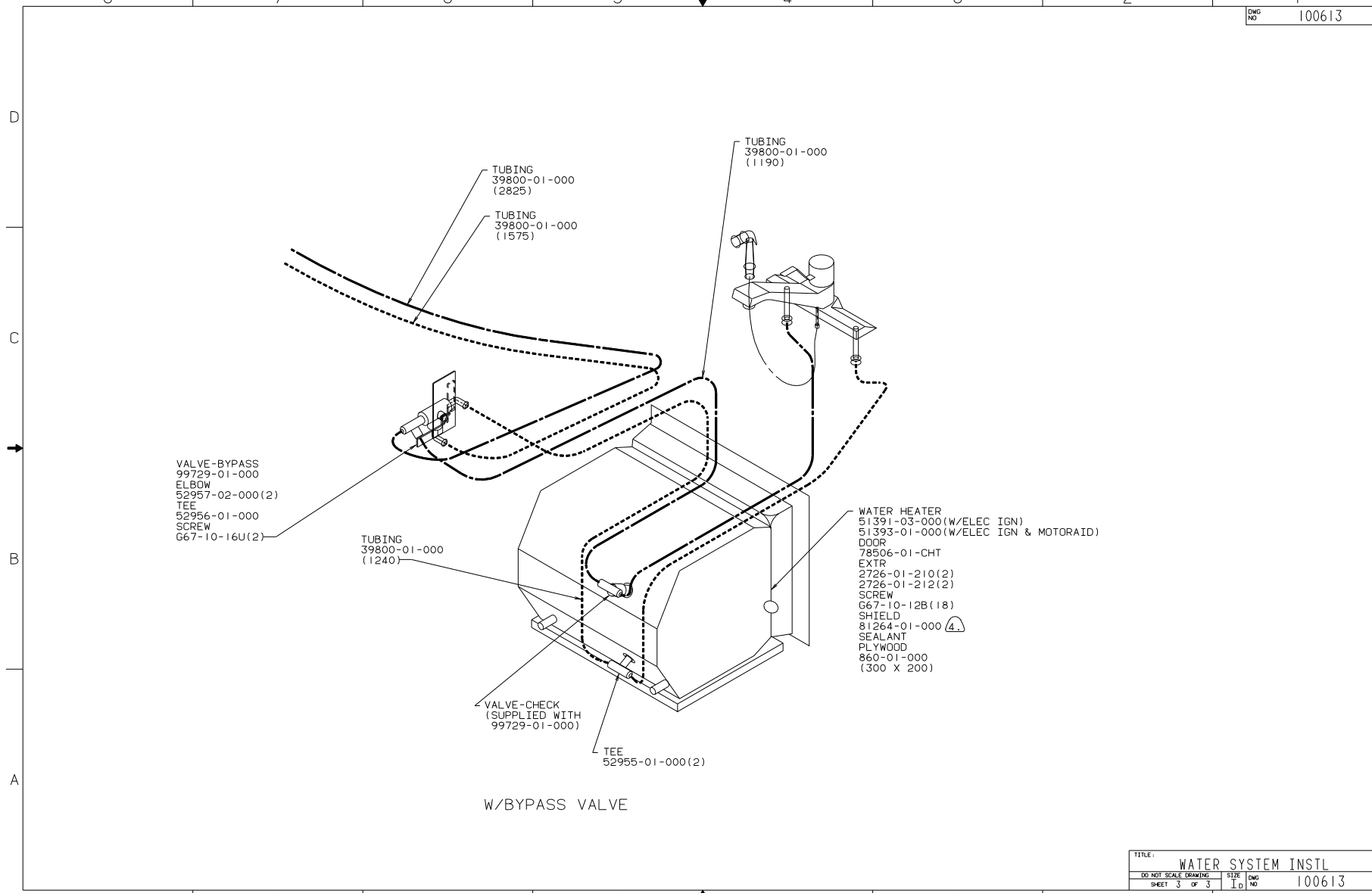
OFTR	UNSPECIFIED TOLERANCES ARE:	MATERIAL:
CMR	WHOLE DIM (X1)	+ .13
PE	ONE-PLACE (X1, XX)	+
NE	TWO-PLACE (X1, XX)	+
ME	ANGLE	+
DSNR	THIRD ANGLE PROJECTION	

LAYOUT NO. F30EU1 TITLE: WATER SYSTEM INSTL

DATE: 10/06/13 SCALE: NONE (DO NOT SCALE DRAWING) SIZE: 11.0" x 17.0" SHEET 1 OF 3 DWG NO. 100613



TITLE:		WATER SYSTEM INSTL	
DO NOT SCALE DRAWING	SIZE	DWG	NO
SHEET 2	OF 3	1.0	100613



TITLE:		WATER SYSTEM INSTL	
DO NOT SCALE DRAWING	SIZE	DWG NO	100613
SHEET 3	OF 3		